

# Expansion Joints Services Offer



Fives' Piping Solutions business line provides a wide range of services to manage the Expansion Joints in your facilities

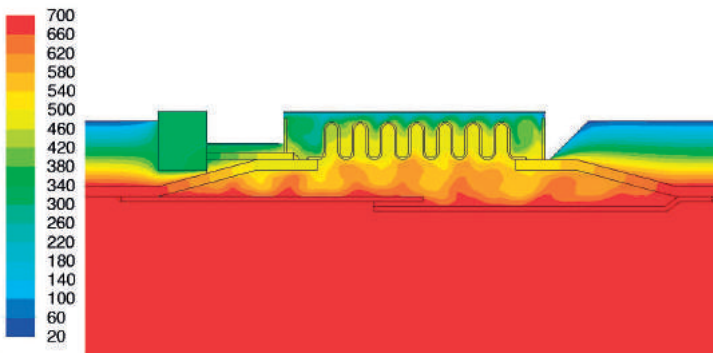
- On site Expertise
- Inspection Plan along Products Life Cycle
- Thermo-Mechanical Finite Element Analysis to address new operating conditions
- Definition & Execution of Repair solutions, including in hot conditions
- Spare parts



Fives' team insures the robustness of your process piping lines providing a recognised expertise on Expansion Joints. Our innovative and responsive experts are offering a wide range of services.

#### SOLUTIONS FITTING TO YOUR SPECIFIC NEEDS

- 50 years of Experience in Expansion Joints Design and Manufacturing
- Strong Value Engineering to avoid productivity failure
- Dedicated Team with In House Design Software & Finite Element Analysis capabilities



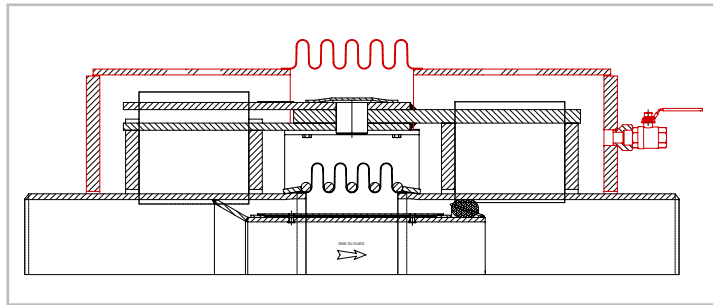
#### ON SITE INSPECTION & EXPERTISE

- General Visual Check
- Thermal Protection Assessment
- Dimensional Measurement
- UT Convolutions Thickness measurement
- Dye Penetrant Tests of welds
- Thermography in operation



#### REPAIR SOLUTIONS DEFINITION & IMPLEMENTATION

- Local or Complete Repair during Shutdown or in Hot Condition



#### CONTACT US