



SBV – Features

- Manual or automatic control
- Easy to install
- Standard sizes up to 250mm nominal bore
- Low cost – robust design
- Lockable disc position
- Hot air versions up to 350°C available

The Butterfly Air Valves provide an accurate method of air flow control in pipelines. For example, they are ideal for the control of combustion air in gas or oil burner systems, where either single or multi-burner control is required. They can be used as manual valves for air flow trimming where adjustment is made and set against a graduated quadrant plate, for replication of setting. Alternatively, the SBV can be coupled with a suitable control motor or pneumatic actuator to achieve automatic control (SBL).

The SBV valve is not designed for tight shut-off and is suitable for use with air only. Where automatic air flow control is required the valves are supplied with an adjustable control lever fitted with a ball and snap connector to fit a 10mm connecting rod. Motors or actuators with mountings are available for all sizes. Threaded valves are made with cast iron bodies, mild steel and brass internals; flanged versions from mild steel. A version with stainless steel internals is available for temperatures up to 350°C. Other types of valves suitable for gas are available (refer to FNAC).

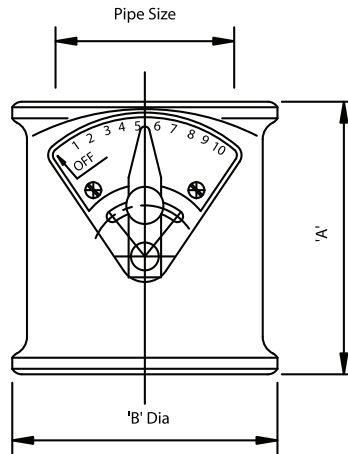
Capacities and Specifications

Butterfly air valve capacities in Nm ³ /h					
Model No.	Pressure Drop in mbar				
	1	2.5	5	10	20
SBV 25	21	40	62	99	147
SBV 32	51	90	136	195	276
SBV 40	56	95	149	219	311
SBV 50	127	205	304	425	566
SBV 65	253	418	552	760	1,074
SBV 80	342	552	850	1,100	1,556
SBV 100	787	1,200	1,697	2,400	3,394
SBV 150	1,431	2,374	3,357	4,748	6,714
SBV 200	2,173	3,436	4,859	6,872	9,719
SBV 250	3,032	4,794	6,780	9,588	13,560

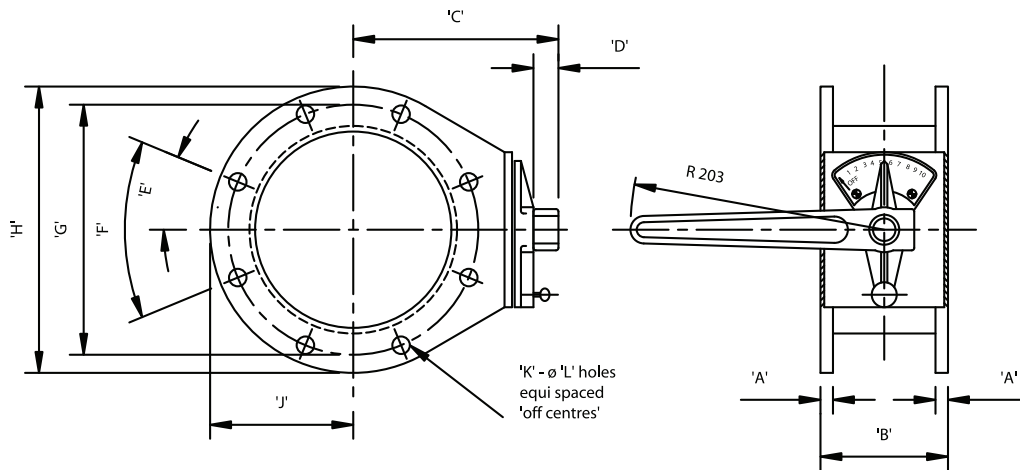
Note 1: The flows listed are maximum with the valve fully open and installed in straight pipe of the same size.
Note 2: The capacities are for 15°C ambient temperature.

Flow correction factors for other temperatures						
Temp	50°C	100°C	150°C	200°C	300°C	400°C
Factor	0.94	0.88	0.825	0.78	0.71	0.65

Dimensions



Model No.	Part No.	Dimensions mm			Weight kg
		Pipe Size	A	B	
SBV 25	3.21.001	Rp1	70	51	0.6
SBV 32	3.21.002	Rp1 ¹ / ₄	70	60	0.7
SBV 40	3.21.003	Rp1 ¹ / ₂	70	67	0.8
SBV 50	3.21.004	Rp2	76	76	0.95
SBV 65	3.21.005	Rp2 ¹ / ₂	89	95	1.5
SBV 80	3.21.006	Rp3	117	114	3
SBV 100	3.21.007	Rp4	121	140	4
SBV 150	3.21.008	Rp6	165	203	10



Model No.	Part No.	Nominal Bore	Dimensions										Bolt size	Weight kg	
			A	B	C	D	E	F	G	H	J	K			L
SBV 150 F	3.10.034	150 NB	10	102	164	20	22.5°	45°	200	229	116	8	14	M12	7.5
SBV 200 F	3.10.035	200 NB	12	140	190	20	22.5°	45°	254	280	141	8	14	M12	11.0
SBV 250 F	3.10.036	250 NB	12	140	218	20	15°	30°	311	356	178	12	18	M16	16.5

WARNING: The data outlined is for information only and does not form part of any contract. Our policy is one of continuous improvement and we therefore reserve the right to modify specifications or dimensions without prior warning. Situations dangerous to personnel and property can develop from incorrect installation and operation of combustion equipment. Fives North American Combustion UK, Ltd urges compliance with International, National and Local Safety Standards and that installation is carried out by properly qualified personnel.

Fives North American Combustion UK, Ltd.

Heath Mill Road, Wolverhampton WV5 8BD England Tel +44 (0) 1902 891200 Fax +44 (0) 1902 895552

FNAC 8/2009 SBV