

## North American Shutoff Valves

**1824K Lubricated Plug Valves** are all iron (semi-steel) construction, listed by UL for natural and manufactured gases.

### Ratings:

Maximum inlet pressure: 200 psi  
Temperature range: -20 F to 450 F

Valves are suitable for coke oven gas and other gases corrosive to copper-base alloys.

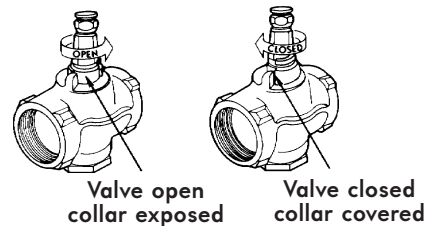
All 1824K valves have removable wrench handles.

**CAUTION:** Some valves' handles can be indexed in 45° increments, which means handle position may not indicate plug position (open or closed). To be sure a valve is fully closed, check that it is turned fully clockwise to stop.

Newer style valves have handles that can be indexed only in 180° increments, thus always indicate plug position.

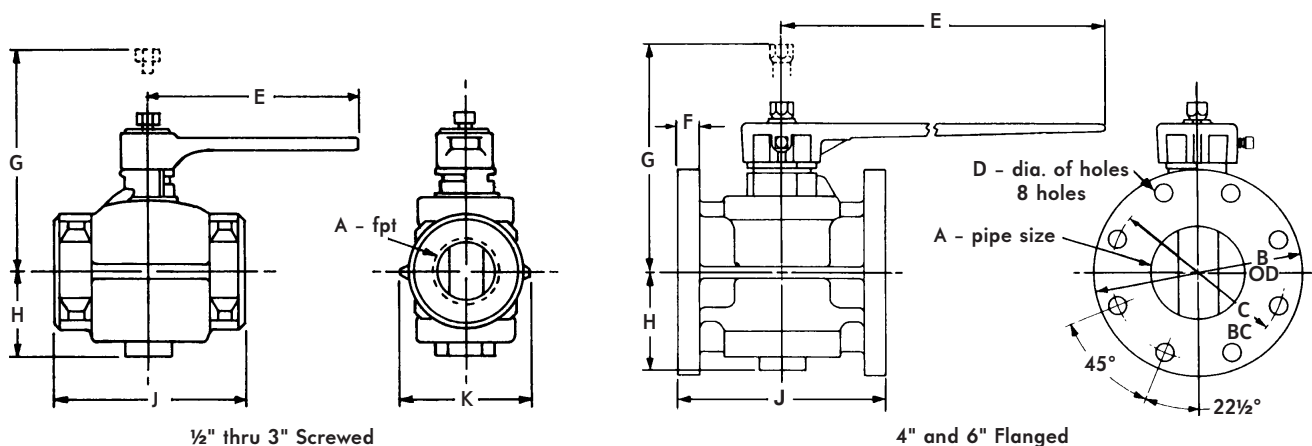
**In abnormally hot, dirty, or corrosive conditions, most shutoff valves can deteriorate and fail to shut off tightly. Frequent, periodic checking of all valves is strongly recommended. Per NFPA 86, these valves must be lubricated and subsequently leak tested for valve closure at least annually.**

For service and lubrication instructions see Sheet 1824-1.



Valve position indicator is a sleeve that rotates to cover a collar when valve is closed, exposes collar when valve is open.

## DIMENSIONS



DIMENSIONS SHOWN ARE SUBJECT TO CHANGE. PLEASE OBTAIN CERTIFIED PRINTS FROM FIVES NORTH AMERICAN COMBUSTION, INC.  
IF SPACE LIMITATIONS OR OTHER CONSIDERATIONS MAKE EXACT DIMENSION(S) CRITICAL.

Valve designation	dimension in inches										wt, lb	equivalent length of straight pipe in feet
	A	B	C	D	E	F	G	H	J	K		
1824K-01	1/2	—	—	—	7	—	5 3/8	1 7/8	3 3/8	2 1/2	4.6	1.4
1824K-0	3/4	—	—	—	7	—	5 3/8	1 7/8	3 3/8	2 1/2	4.6	1.4
1824K-1	1	—	—	—	7	—	5 3/8	1 7/8	3 3/8	2 1/2	5	1.7
1824K-2	1 1/4	—	—	—	7	—	5 3/8	1 7/8	5	2 3/4	7	4.2
1824K-3	1 1/2	—	—	—	7	—	5 3/8	2 1/8	5	3	8	4.1
1824K-4	2	—	—	—	7	—	6	2 5/8	5 3/4	3 1/2	12	5.9
1824K-5	2 1/2	—	—	—	12	—	8	3 1/8	6 3/4	4 1/4	19	4.7
1824K-6	3	—	—	—	12	—	8 1/4	3 1/4	7 1/2	5	25	8.8
1824K-7	4	9	7 1/2	3/4	18	15/16	10 1/2	4 1/4	9	—	70	14.1
1824K-8	6	11	9 1/2	7/8	24	1	11 1/4	5 1/8	10 1/2	—	100	56

**WARNING:** Situations dangerous to personnel and property may exist with the operation and maintenance of any combustion equipment. The presence of fuels, oxidants, hot and cold combustion products, hot surfaces, electrical power in control and ignition circuits, etc., are inherent with any combustion application. Parts of this product may exceed 160F in operation and present a contact hazard. Fives North American Combustion, Inc. urges compliance with National Safety Standards and insurance Underwriters recommendations, and care in operation.