

North American 1600 Air Motor with High and Low NEMA 4 Limit Switches

Bulletin 1600-HL

Ref: Bulletin 1600

North American now offers, as a standard option, 1600 Air Motors with high and low NEMA 4 SPDT limit switches mounted (either or both).

Dimensions are shown on this sheet--refer to Bulletin 1600 for air motor dimensions.

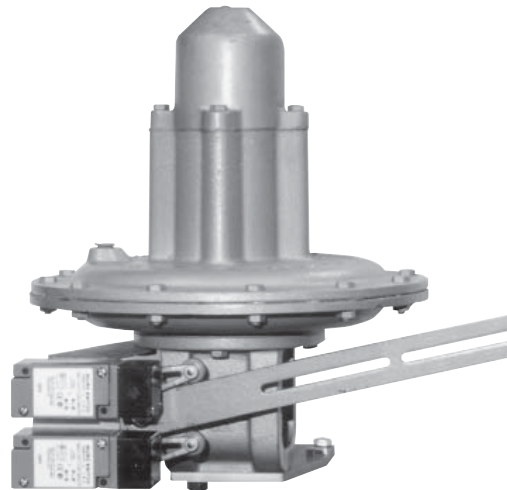
To order, specify: 1600-(5, 6, 2, or 1 for lever arm)-(P, B, BP, HL, H or L for options as required) Air motor. H is for high limit NEMA 4 switch, and L for low limit NEMA 4 switch.

Examples: 1600-5-HL Air Motor with 2-2207-5 lever arm and high and low NEMA 4 limit switches mounted.

1600-6-PL Air Motor with 2-2207-6 lever arm and positioner and low NEMA 4 limit switch mounted.

1600-WSK Weatherproof Switch Kit

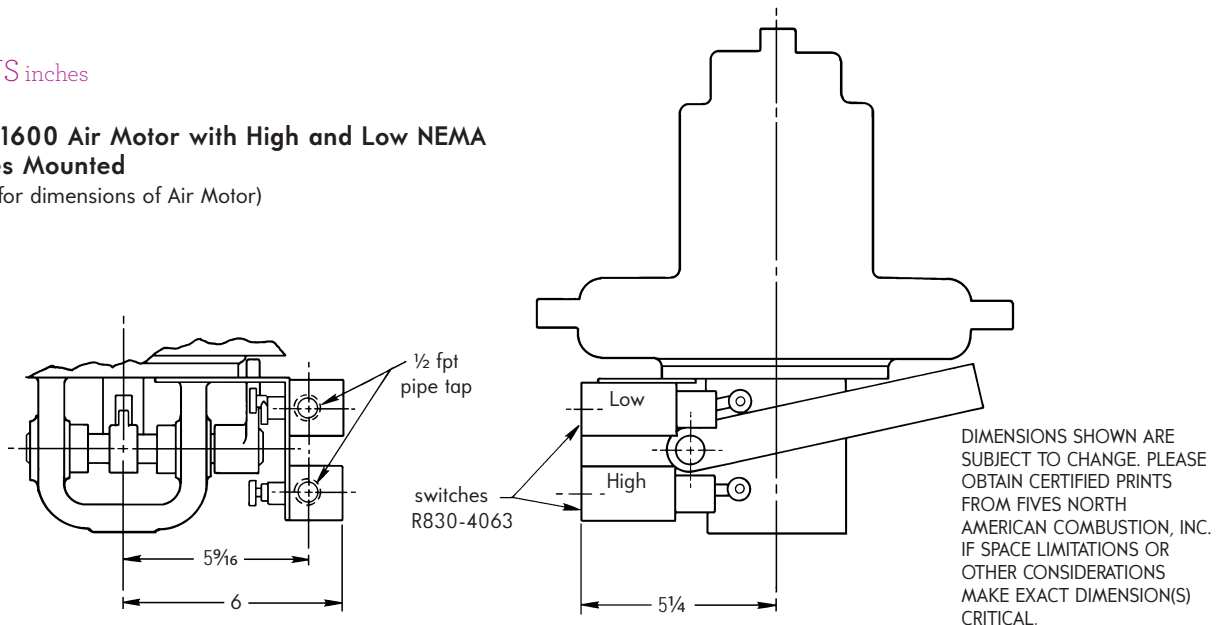
Fives also offers the 1600-WSK Weatherproof Switch Kit which consists of high and low NEMA 4 limit switches with provision for field mounting on a 1600 Air Motor.



DIMENSIONS inches

Dimensions of 1600 Air Motor with High and Low NEMA 4 Limit Switches Mounted

(See Bulletin 1600 for dimensions of Air Motor)



WARNING: Situations dangerous to personnel and property may exist with the operation and maintenance of any combustion equipment. The presence of fuels, oxidants, hot and cold combustion products, hot surfaces, electrical power in control and ignition circuits, etc., are inherent with any combustion application. Parts of this product may exceed 160F in operation and present a contact hazard. Fives North American Combustion, Inc. urges compliance with National Safety Standards and Insurance Underwriters' recommendations, and care in operation.