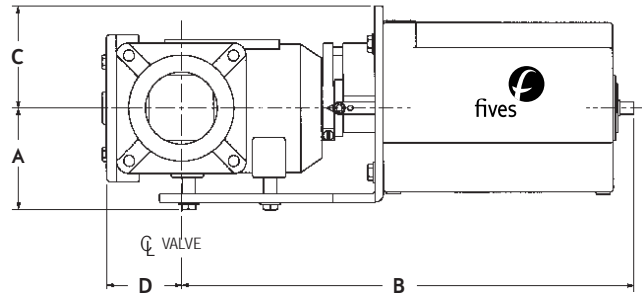
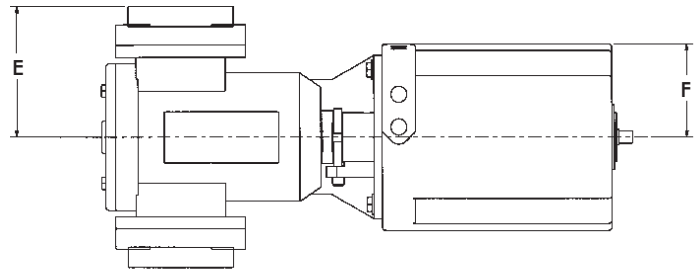


North American 1199 Series Packaged Valve and Motor Assemblies

1199- -04 Air Adjustable Port Valve

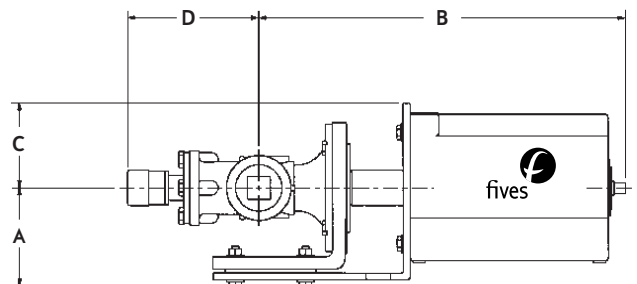
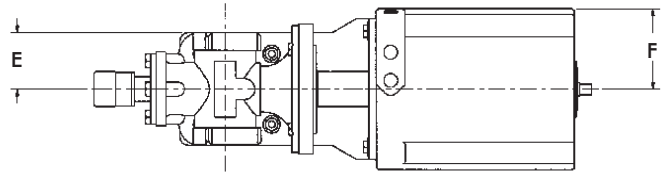
DIMENSIONS
inches

Valve designation	dimensions in inches					
	A	B	C	D	E	F
1199-3B-04, -4B-04	3¼	13	3	1½ ¹⁶	3 ⁵ / ₁₆	2 ¹⁹ / ₃₂
1199-4C-04, -5C-04	3½	14½	3¼	2 ⁵ / ₁₆	3 ⁷ / ₈	2 ¹⁹ / ₃₂
1199-6C-04	3⅞	14½	3¼	2 ⁵ / ₁₆	4 ⁵ / ₁₆	2 ¹⁹ / ₃₂
1199-6D-04, -7D-04	3 ¹³ / ₃₂	15½	3	3 ¹ / ₁₆	5¼	2 ¹⁹ / ₃₂
1199-8D-04	3 ¹³ / ₃₂	15½	3	3 ¹ / ₁₆	9 ¹ / ₁₆	2 ¹⁹ / ₃₂



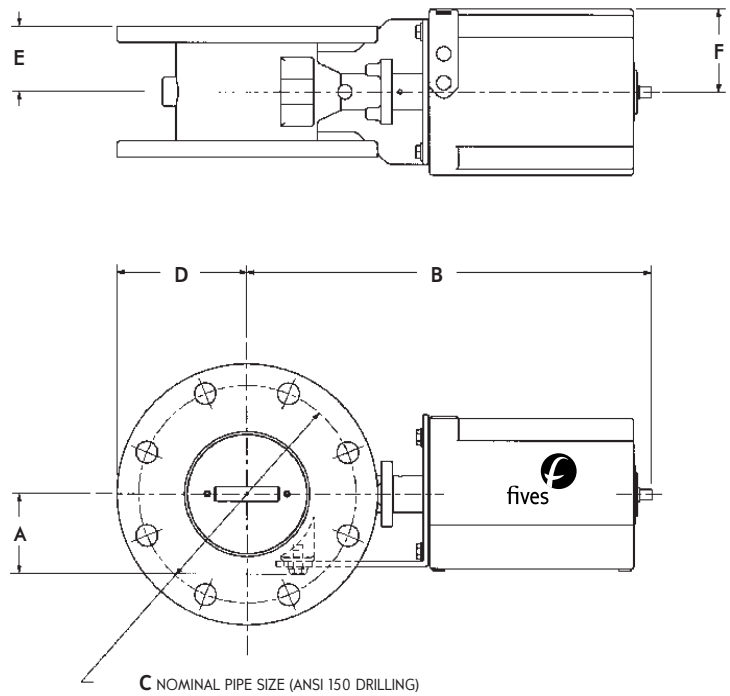
1199- -08 Gas Adjustable Port Valve

Valve designation	dimensions in inches					
	A	B	C	D	E	F
1199-02-08	3 ⁹ / ₁₆	12 ⁵ / ₃₂	3	4 ¹⁷ / ₃₂	1¾	2 ¹⁹ / ₃₂
1199-01-08	3 ⁹ / ₁₆	12 ⁵ / ₃₂	3	4 ¹⁷ / ₃₂	1¾	2 ¹⁹ / ₃₂
1199-0-08	3 ⁹ / ₁₆	12 ⁵ / ₃₂	3	4 ⁹ / ₃₂	1 ⁵ / ₈	2 ¹⁹ / ₃₂
1199-1-08	3 ⁹ / ₁₆	12 ⁵ / ₃₂	3	4½	1¾	2 ¹⁹ / ₃₂
1199-2-08	3 ⁹ / ₁₆	13 ³ / ₁₆	3	4 ²⁵ / ₃₂	2	2 ¹⁹ / ₃₂
1199-3-08	5 ³ / ₈	14¾	3	5 ¹ / ₃₂	2 ¹ / ₈	2 ¹⁹ / ₃₂
1199-4-08	5 ³ / ₈	14¾	3	5 ¹⁷ / ₃₂	2 ⁷ / ₁₆	2 ¹⁹ / ₃₂
1199-5-08	5 ³ / ₈	15 ¹³ / ₁₆	3	6 ⁵ / ₃₂	2 ¹³ / ₁₆	2 ¹⁹ / ₃₂
1199-6-08	5 ³ / ₈	15 ¹³ / ₁₆	3	7 ⁵ / ₃₂	3 ⁵ / ₁₆	2 ¹⁹ / ₃₂
1199-7-08	5 ³ / ₈	15 ¹³ / ₁₆	3	8¼	3¾	2 ¹⁹ / ₃₂
1199-8-08	5 ³ / ₈	16 ⁹ / ₁₆	3	10 ¹³ / ₁₆	4 ⁷ / ₈	2 ¹⁹ / ₃₂



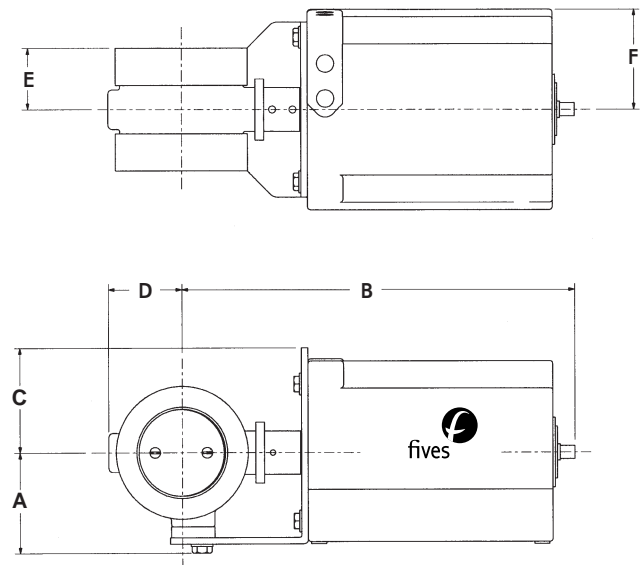
1199- -26 Flanged Butterfly Valve

Valve designation	dimensions in inches					
	A	B	C	D	E	F
1199-6-26F	3 ⁵ / ₁₆	13 ⁵ / ₁₆	3	3 ³ / ₄	2	2 ¹⁹ / ₃₂
1199-7-26F	2 ⁷ / ₈	14	4	4 ¹ / ₂	2 ¹ / ₄	2 ¹⁹ / ₃₂
1199-8-26F	3 ⁷ / ₈	15 ¹ / ₁₆	6	5 ¹ / ₂	2 ¹ / ₂	2 ¹⁹ / ₃₂
1199-9-26	5 ¹¹ / ₁₆	16 ¹ / ₂	8	6 ³ / ₄	2 ³ / ₄	2 ¹⁹ / ₃₂
1199-10-26	6 ¹³ / ₁₆	17 ³ / ₄	10	8	3 ³ / ₄	2 ¹⁹ / ₃₂
1199-12-26	8 ¹ / ₈	19 ¹ / ₄	12	9 ¹ / ₂	4	2 ¹⁹ / ₃₂
1199-14-26	9 ¹ / ₈	20 ¹ / ₄	14	10 ¹ / ₂	4	2 ¹⁹ / ₃₂
1199-16-26	10 ¹ / ₂	21 ¹ / ₂	16	11 ³ / ₄	4 ¹ / ₄	2 ¹⁹ / ₃₂



1199- -26 Butterfly Valve

Valve designation	dimensions in inches					
	A	B	C	D	E	F
1199-0-26	3	10 ¹ / ₁₆	3	1 ³ / ₁₆	1 ³ / ₁₆	2 ¹⁹ / ₃₂
1199-1-26	3	10 ¹ / ₁₆	3	1 ³ / ₁₆	1 ³ / ₁₆	2 ¹⁹ / ₃₂
1199-2-26	3	10 ¹ / ₈	3	1 ⁵ / ₁₆	1 ¹ / ₄	2 ¹⁹ / ₃₂
1199-3-26	3	10 ¹ / ₄	3	1 ⁷ / ₁₆	1 ⁵ / ₁₆	2 ¹⁹ / ₃₂
1199-4-26	3	10 ¹ / ₂	3	1 ³ / ₄	1 ¹ / ₂	2 ¹⁹ / ₃₂
1199-5-26	3	10 ⁷ / ₈	3	2 ¹ / ₈	1 ³ / ₄	2 ¹⁹ / ₃₂
1199-6-26	4 ⁵ / ₈	11 ¹ / ₂	3	2 ⁷ / ₁₆	1 ¹⁵ / ₁₆	2 ¹⁹ / ₃₂
1199-7-26	4 ⁵ / ₈	12 ¹ / ₁₆	3	3	2 ¹ / ₄	2 ¹⁹ / ₃₂
1199-8-26	4 ⁵ / ₈	13 ³ / ₁₆	3	4 ¹ / ₈	2 ⁹ / ₁₆	2 ¹⁹ / ₃₂



DIMENSIONS SHOWN ARE SUBJECT TO CHANGE. PLEASE OBTAIN CERTIFIED PRINTS FROM FIVES NORTH AMERICAN COMBUSTION, INC. IF SPACE LIMITATIONS OR OTHER CONSIDERATIONS MAKE EXACT DIMENSION(S) CRITICAL.

WARNING: Situations dangerous to personnel and property may exist with the operation and maintenance of any combustion equipment. The presence of fuels, oxidants, hot and cold combustion products, hot surfaces, electrical power in control and ignition circuits, etc., are inherent with any combustion application. Parts of this product may exceed 160F in operation and present a contact hazard. Fives North American Combustion, Inc. urges compliance with National Safety Standards and Insurance Underwriters' recommendations, and care in operation.



CONTACT US:
Fives North American Combustion, Inc.
 4455 East 71st Street - Cleveland, OH 44105 - USA
 Tel: +1 216 271 6000 - Fax: +1 216 373 4237
 Email: fna.sales@fivesgroup.com

www.fivesgroup.com