

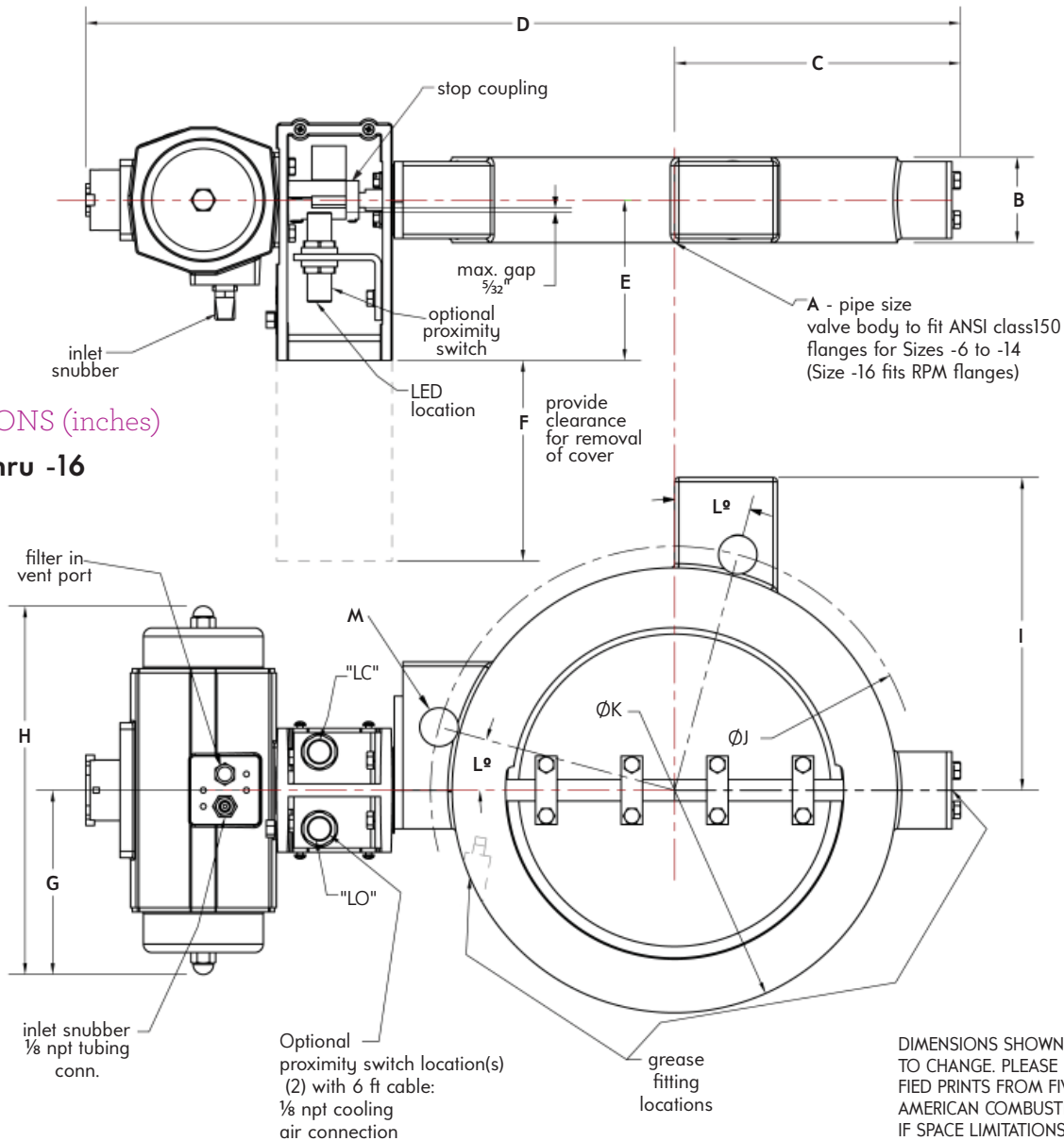


fives

Combustion

North American 1177D Cycle Valves for Air and Exhaust

Dimensions 1177D



DIMENSIONS (inches)
1177D-6 thru -16

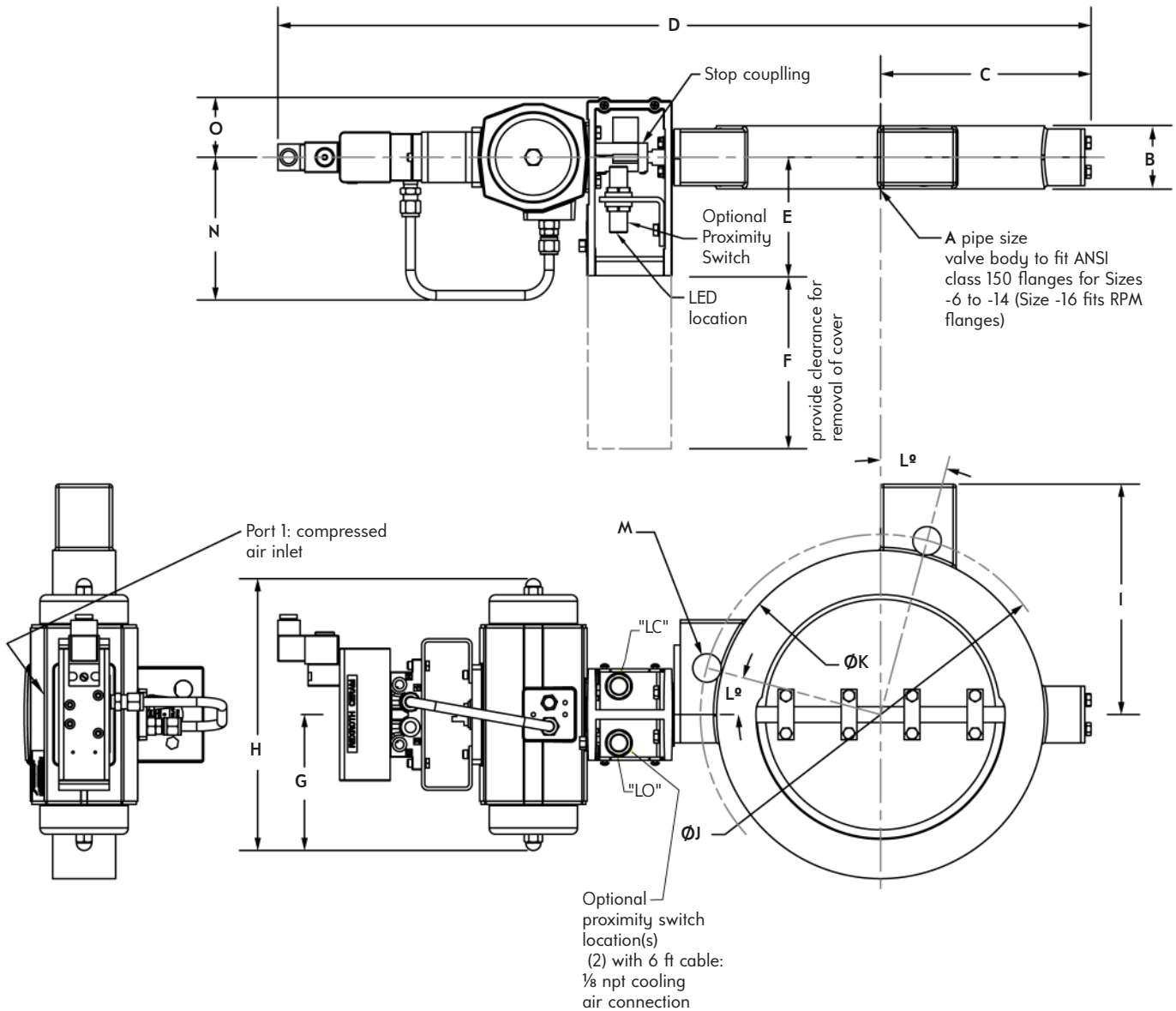
- Notes:**
1. Valve must be installed with shaft in horizontal position.
 2. Recommended compressed air inlet pressure 60-70 PSI, 120 PSI max.

DIMENSIONS SHOWN ARE SUBJECT TO CHANGE. PLEASE OBTAIN CERTIFIED PRINTS FROM FIVES NORTH AMERICAN COMBUSTION, INC. IF SPACE LIMITATIONS OR OTHER CONSIDERATIONS MAKE EXACT DIMENSION(S) CRITICAL.

Valve designation	dimensions in inches													Weight (lbs)
	A	B	C	D	E	F	G	H	I	J	K	L	M	
1177D-6	3	2½	4⅝	16½	4¾	7	4¼	8⅞	4	6	5¼	45°	¾	28
1177D-7	4	2½	4⅞	17⅞	4¾	7	4¼	8⅞	4⅝	7½	6¾	22½°	¾	35
1177D-8	6	2½	5⅞	19⅞	4¾	7	4¼	8⅞	5⅞	9½	8⅞	22½°	⅞	46
1177D-9	8	2½	7⅞	22¼	4¾	7	4¼	8⅞	7¾	11¾	10½	22½°	1	63
1177D-10	10	2½	8⅞	25½	4¾	7	5⅜	10¾	9⅞	14¼	13	15°	1⅞	75
1177D-12	12	2½	9⅞	27⅞	4¾	7	5⅜	10¾	10¼	17	15⅞	15°	1⅞	115
1177D-14	14	2½	10⅞	29⅞	4¾	7	5⅜	10¾	10⅞	18¾	17½	15°	1⅞	121
1177D-16	16	2½	10½	30⅞	4¾	7	5⅜	10¾	10⅞	19¼	18⅞	15°	1¼	130

DIMENSIONS (inches)

1177D-6-S thru -16-S



Note:

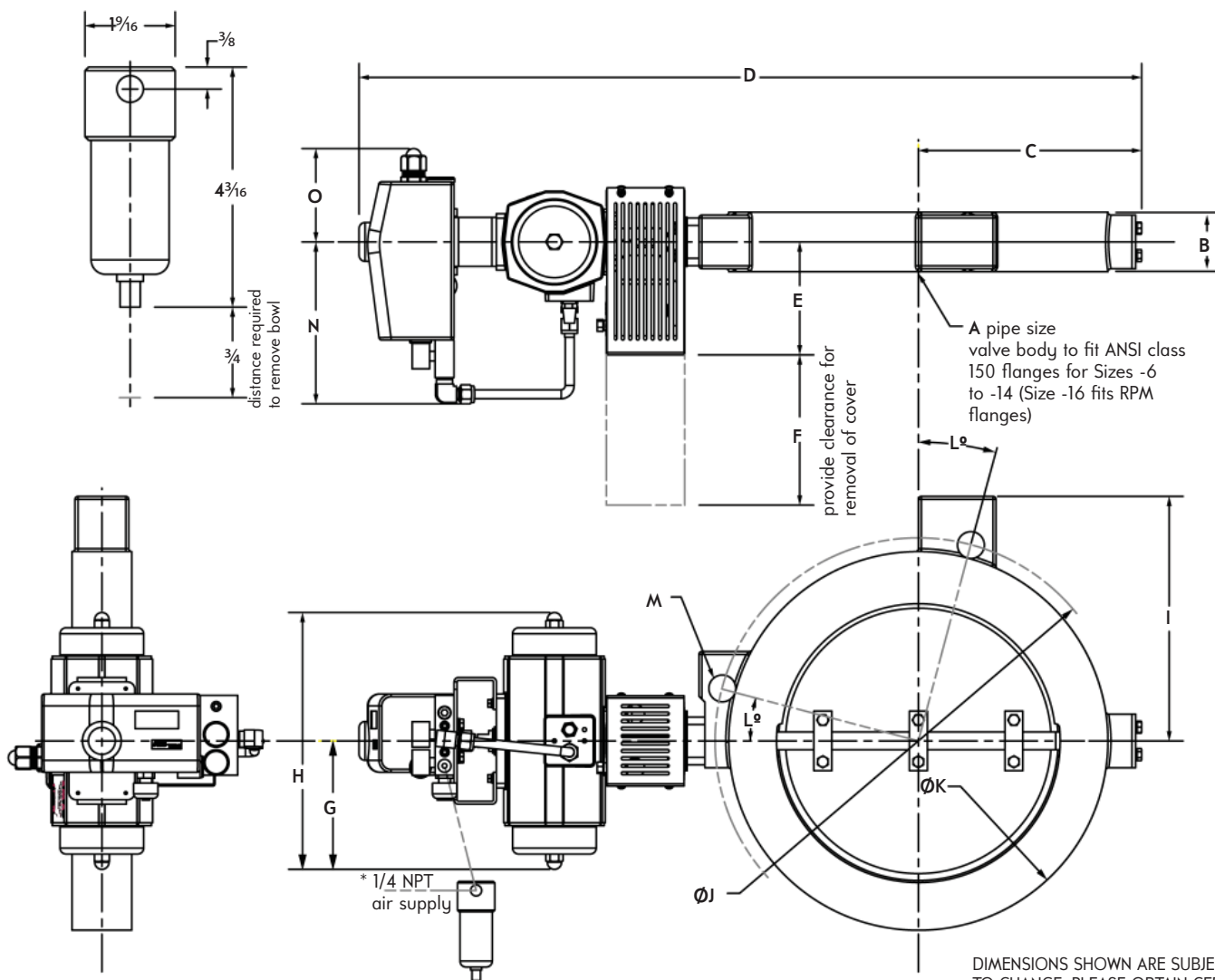
1. Valve must be installed with shaft in horizontal position.
2. Recommended compressed air inlet pressure 60-70 PSI, 120 PSI max.

Valve designation	dimensions in inches															Weight (lbs)
	A	B	C	D	E	F	G	H	I	J	K	L	M	N	O	
1177D-6-S	3	2½	4 ⁵ / ₁₆	23 ³ / ₁₆	4 ³ / ₄	7	4 ¹ / ₁₆	8 ¹ / ₈	4	6	5¼	45 ^o	¾	5½	2¼	32
1177D-7-S	4	2½	4 ⁷ / ₈	24 ¹ / ₈	4 ³ / ₄	7	4 ¹ / ₁₆	8 ¹ / ₈	4 ⁵ / ₈	7½	6¾	22½ ^o	¾	5½	2¼	39
1177D-8-S	6	2½	5 ⁷ / ₈	26 ¹ / ₈	4 ³ / ₄	7	4 ¹ / ₁₆	8 ¹ / ₈	5 ⁵ / ₈	9½	8 ⁵ / ₈	22½ ^o	7 ⁸ / ₈	5½	2¼	50
1177D-9-S	8	2½	7 ³ / ₁₆	28 ¹⁵ / ₁₆	4 ³ / ₄	7	4 ¹ / ₁₆	8 ¹ / ₈	7 ³ / ₄	11¾	10½	22½ ^o	1	5½	2¼	67
1177D-10-S	10	2½	8 ³ / ₁₆	32¼	4 ³ / ₄	7	5 ³ / ₈	10¾	9 ¹ / ₈	14¼	13	15 ^o	1 ¹ / ₈	5½	2¼	79
1177D-12-S	12	2½	9 ⁵ / ₁₆	34¾	4 ³ / ₄	7	5 ³ / ₈	10¾	10¼	17	15 ⁷ / ₈	15 ^o	1 ¹ / ₈	5½	2¼	119
1177D-14-S	14	2½	10 ³ / ₁₆	36¾	4 ³ / ₄	7	5 ³ / ₈	10¾	10 ⁵ / ₈	18¾	17½	15 ^o	1 ¹ / ₈	5½	2¼	125
1177D-16-S	16	2½	10½	37 ¹ / ₈	4 ³ / ₄	7	5 ³ / ₈	10¾	10 ⁵ / ₈	19¼	18 ³ / ₈	15 ^o	1¼	5½	2¼	134

DIMENSIONS SHOWN ARE SUBJECT TO CHANGE. PLEASE OBTAIN CERTIFIED PRINTS FROM FIVES NORTH AMERICAN COMBUSTION, INC. IF SPACE LIMITATIONS OR OTHER CONSIDERATIONS MAKE EXACT DIMENSION(S) CRITICAL.

FILTER DIMENSIONS

1177D-6-EP2 thru -16-EP2



* 1/4" automatic pulse drain - .01 micron coalescing filter shipped loose with each valve

Note:

1. Valve must be installed with shaft in horizontal position.
2. Recommended compressed air inlet pressure 70-90 PSI, 90 PSI max.

DIMENSIONS SHOWN ARE SUBJECT TO CHANGE. PLEASE OBTAIN CERTIFIED PRINTS FROM FIVES NORTH AMERICAN COMBUSTION, INC. IF SPACE LIMITATIONS OR OTHER CONSIDERATIONS MAKE EXACT DIMENSION(S) CRITICAL.

Valve designation	dimensions in inches															Weight (lbs)
	A	B	C	D	E	F	G	H	I	J	K	L	M	N	O	
1177D-6-EP2	3	2 1/2	4 5/16	21 1/4	4 3/4	7	4 1/16	8 1/8	4	6	5 1/4	45°	3/4	6 3/4	3 15/16	32
1177D-7-EP2	4	2 1/2	4 7/8	22 3/16	4 3/4	7	4 1/16	8 1/8	4 5/8	7 1/2	6 3/4	22 1/2°	3/4	6 3/4	3 15/16	39
1177D-8-EP2	6	2 1/2	5 7/8	24 3/16	4 3/4	7	4 1/16	8 1/8	5 5/8	9 1/2	8 5/8	22 1/2°	7/8	6 3/4	3 15/16	50
1177D-9-EP2	8	2 1/2	7 3/16	27	4 3/4	7	4 1/16	8 1/8	7 3/4	11 3/4	10 1/2	22 1/2°	1	6 3/4	3 15/16	67
1177D-10-EP2	10	2 1/2	8 5/16	30 5/16	4 3/4	7	5 3/8	10 3/4	9 1/8	14 1/4	13	15°	1 1/8	6 3/4	3 15/16	79
1177D-12-EP2	12	2 1/2	9 5/16	32 13/16	4 3/4	7	5 3/8	10 3/4	10 1/4	17	15 7/8	15°	1 1/8	6 3/4	3 15/16	119
1177D-14-EP2	14	2 1/2	10 5/16	34 13/16	4 3/4	7	5 3/8	10 3/4	10 5/8	18 3/4	17 1/2	15°	1 1/8	6 3/4	3 15/16	125
1177D-16-EP2	16	2 1/2	10 1/2	35 3/16	4 3/4	7	5 3/8	10 3/4	10 5/8	19 1/4	18 3/8	15°	1 1/4	6 3/4	3 15/16	134

WARNING: Situations dangerous to personnel and property may exist with the operation and maintenance of any combustion equipment. The presence of fuels, oxidants, hot and cold combustion products, hot surfaces, electrical power in control and ignition circuits, etc., are inherent with any combustion application. Parts of this product may exceed 160F in operation and present a contact hazard. Fives North American Combustion, Inc. urges compliance with National Safety Standards and Insurance Underwriters' recommendations, and care in operation.



CONTACT US:
Fives North American Combustion, Inc.
 4455 East 71st Street - Cleveland, OH 44105 - USA
 Tel: +1 216 271 6000 - Fax: +1 216 373 4237
 Email: fna.sales@fivesgroup.com

www.fivesgroup.com