

North American Adjustable Port Valves for Oxygen

Sheet 1008A-C/1010A-C-1

Adjustable port valves are for control purposes only.
They are not for tight shutoff.

1010A-C Valves are designed for oxygen service up to a maximum pressure of 125 psi. All valves are for throttling control only and not for tight shutoff. Bodies of all 1010A-C valves are brass. All cores and curtains are Monel and the shafts are stainless steel. The packing is Teflon and all gaskets are Fluorocarbon rubber (Viton). Valves are cleaned for oxygen service, lubricated with Molybde PFET-2 and shipped in a sealed plastic bag to keep clean. See Sheet 1010A-1 for lubricating instructions. Dimensions are the same as 1008 Valves, only materials of construction are different. (See Dimensions 1008A.)

1008A-C valves are designed for oxygen service up to a maximum pressure of 50 psi and velocities up to 100 FPS.

The bodies of 1008A-C valves are ductile iron. All cores and curtains are nickel plated CRS and the shafts are SST. The rest of the valve is the same as the 1010A-C.

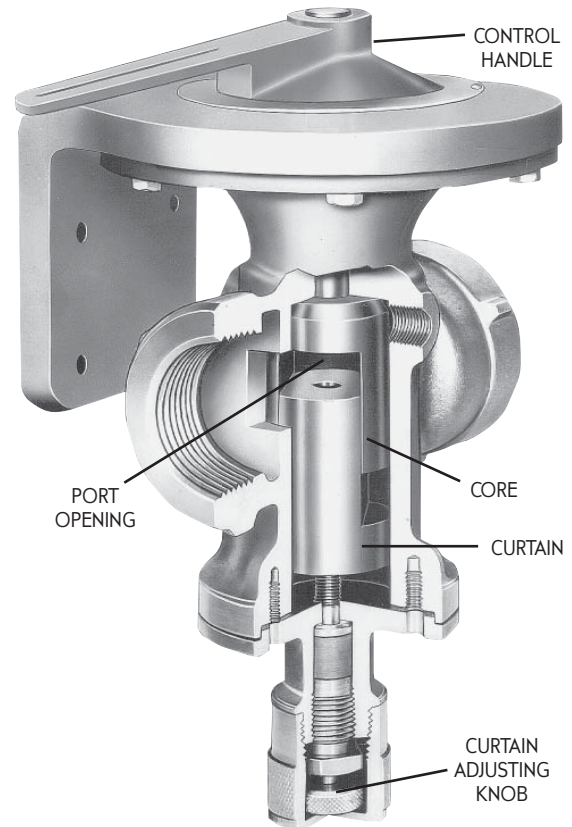
HOW TO ORDER

To order (with bracket and linkage) specify: 1008A or 1010A (code for pipe size)-(C) for (actuator model).

Examples:

1010A-4-C 2" APV with B&L for L&N 10260 for oxygen service.

1008A-4-C 2" with B&L for L&N 10260 for oxygen service.



O₂ CAPACITIES, scfm at 1.1 Sp Gr

Valve Designation	Pipe size inches	PRESSURE DROP			
		1 psi ΔP	5 psi ΔP	10 psi ΔP	20 psi ΔP
1008A/1010A-0-C	¾"	30	70	100	140
1008A/1010A-1-C	1"	50	115	160	230
1008A/1010A-2-C	1¼"	80	180	255	360
1008A/1010A-3-C	1½"	115	255	360	510
1008A/1010A-4-C	2"	205	460	645	915
1008A/1010A-5-C	2½"	290	640	905	1280
1008A-/1010A-6-C	3"	435	975	1380	1950
1008A-7-C	4"	750	1675	2370	3350
1008A-8-C	6"	1650	3690	5215	7375

The following table shows the number of turns required for adjusting the curtain height from full open to full closed.

Valve Designation	Number of turns from full open to fully closed
1008A/1010A-0-C (¾")	14
1008A/1010A-1-C (1")	16
1008A/1010A-2-C (1¼")	23
1008A/1010A-3-C (1½")	23
1008A/1010A-4-C (2")	30
1008A/1010A-5-C (2½")	35
1008A/1010A-6-C (3")	43
1008A-7-C (4")	60
1008A-8-C (6")	87

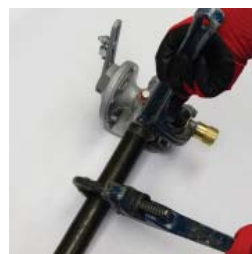


THIS



NOT THIS

Use 2 wrenches to tighten a pipe into the valve.



THIS



NOT THIS

WARNING: Situations dangerous to personnel and property may exist with the operation and maintenance of any combustion equipment. The presence of fuels, oxidants, hot and cold combustion products, hot surfaces, electrical power in control and ignition circuits, etc., are inherent with any combustion application. Parts of this product may exceed 160F in operation and present a contact hazard. Fives North American Combustion, Inc. urges compliance with National Safety Standards and Insurance Underwriters' recommendations, and care in operation.

1008A-C/1010A-C-1 Parts List

Starting in October 2009, the 1010/1008 series valves were replaced with the redesigned 1010A/1008A series valves. The differences between the 1010A/1008A and the 1010/1008 valve designs are as follows:

1. **The bottom plate and bottom plate gasket.** The old-style flat faced bottom plate and bottom plate gasket have been replaced with new raised face bottom plate and bottom plate gasket.
2. **The shaft seal with shaft seal nut.** The old-style U-cup and U-cup retaining nut have been replaced by O-rings and O-ring seal nut.

The old-style 1010/1008 **bottom plates and bottom plate gaskets** as well as the old-style **1010/1008 U-cup shaft seal nuts and U-cup**

shaft seals are no longer available as replacement parts. The new 1010A/1008A parts have been designed to fit into an old-style 1010/1008 valve and are required to repair any old-style 1010/1008 series valve. However it is important to note that the old-style U-cup nuts do not work with the new O-rings. The old-style bottom plates do not work with the new bottom plate gaskets.

If an old-style 1010/1008 bottom plate gasket or shaft seal requires replacement, the **new bottom plate and bottom plate gasket** or the **new shaft seal nut and O-ring seals** are required to repair and upgrade the 1010/1008 series to be like the new 1010A/1008A series design.

The parts list table indicates the items required to repair and upgrade an old-style 1010/1008 series valve.

		1008A/1010A	1008A/1010A	1008A/1010A	1008A/1010A	1008A/1010A	1008A/1010A	1008A/1010A	1008A only	1008A only
PARTS LIST 1010A-C and 1008A-C Oxygen										
		-0 (3/4")	-1 (1")	-2 (1-1/4")	-3 (1-1/2")	-4 (2")	-5 (2-1/2")	-6 (3")	-7 (4")	-8 (6")
1	Body 1008A-C	2-0679-2	2-1685-2	2-0738-2	2-0774-2	2-0775-2	2-0777-2	2-0796-2	2-0787-2	2-0778-2
	Body 1010A-C	2-0679-3	2-1685-3	2-0738-3	2-0774-3	2-0775-3	2-0777-3	2-0796-3	N/A	N/A
2 **	Gasket (**supplied clean for O2 service)	2-11323-1	2-11323-2	2-11323-3	2-11323-4	2-11323-5	2-11323-6	2-11323-7	2-11323-8	2-11323-9
3	Core and Shaft Assembly 1008A-C	2-11436-1	2-11436-2	2-11436-3	2-11436-4	2-11436-5	2-11436-6	2-11436-7	2-11436-8	2-11436-9
	Core and Shaft Assembly 1010A-C	2-11436-11	2-11436-12	2-11436-13	2-11436-14	2-11436-15	2-11436-16	2-11436-17	N/A	N/A
4	Curtain 1008A-C	2-8089-1	2-8016-1	2-8017-1	2-8018-1	2-8019-1	2-8020-1	2-8021-1	2-8022-1	2-8023-1
	Curtain 1010A-C	2-8089-2	2-8016-2	2-8017-2	2-8018-2	2-8019-2	2-8020-2	2-8021-2	N/A	N/A
5	Spacer	2-7750-1	2-7750-1	2-7750-1	2-7750-2	2-7750-2	2-7750-2	2-7750-3	2-7750-3	2-7750-4
6 **	Bottom Plate 1008A-C	2-11325-2	2-11326-2	2-11327-2	2-11328-2	2-11329-2	2-11330-2	2-11331-2	2-11332-2	2-11333-2
	Bottom Plate 1010A-C	2-11325-3	2-11326-3	2-11327-3	2-11328-3	2-11329-3	2-11330-3	2-11331-3	2-11332-3	2-11333-3
7	Adjusting Screw ass'y	2-4888-1	2-4888-1	2-4888-1	2-4888-2	2-4888-2	2-4888-2	2-4888-3	2-4888-3	2-4888-4
8	Swivel Block ass'y	2-5021-2	2-5021-2	2-5021-2	2-5021-2	2-5021-2	2-5021-2	2-5021-2	2-5021-2	2-5021-2
9	Handle Roll Pin	R570-4195	R570-4195	R570-4250	R570-4250	R570-4250	R570-4450	R570-4450	R570-4450	R570-4450
10	Handle	2-3706-1	2-3706-1	2-3707-1	2-3707-1	2-3707-1	2-3707-2	2-3707-2	2-3707-2	2-3707-2
11	Indicator Dial	2-4348-1	2-4348-1	2-4347-1	2-4347-1	2-4347-1	2-4347-1	2-4347-1	2-4347-1	2-4347-1
12	L Bracket	2-0516-1	2-0516-1	2-0587-1	2-0517-1	2-0517-1	2-0518-1	2-0518-1	2-0518-1	2-0518-1
	Optimal U Bracket	2-0588-1	2-0588-1	2-0589-1	2-0590-1	2-0590-1	2-0591-1	2-0591-1	2-0591-1	2-0591-1
13 **	Seal Nut Assembly (with O rings) (**supplied clean for O2 service)	2-11334-3C	2-11334-3C	2-11335-3C	2-11335-3C	2-11335-3C	2-11336-3C	2-11336-3C	2-11336-13C	2-11336-3C
14	Hex Bolt	R765-2070 (4) req'd	R765-2070 (4) req'd	R066-2330-C (4) req'd	R066-2330-C (6) req'd	R066-2330-C (6) req'd	R066-2920-C (6) req'd	R066-2620-C (6) req'd	R066-2920-C (6) req'd	R066-2940-C15 (6) req'd
	Hex Head Pipe Plug	R950-7814-S	R950-7814-S	R950-7814-S	R950-7814-S	R950-7814-S	R950-7814-S	R950-7814-S	R950-7814-S	R950-7814-S
16	Lubrication Tag	15-0068-1	15-0068-1	15-0068-1	15-0068-1	15-0068-1	15-0068-1	15-0068-1	15-0068-1	15-0068-1
17	Hex Bolt	R765-2070 (4) req'd	R765-2070 (4) req'd	R066-2610-C (4) req'd	R066-2620-C (6) req'd	R066-2620-C (6) req'd	R066-2920-C (6) req'd	R066-2920-C (6) req'd	R066-2920-C (6) req'd	R066-2920-C (8) req'd
18	Adjusting Screw Cover	2-0682-1	2-0682-1	2-0682-1	2-0760-1	2-0760-1	2-0760-1	2-0791-1	2-0791-1	2-0782-1
SEAL NUT ASSEMBLY										
19	Seal Nut Standard (less O Rings)	2-11283-1	2-11283-1	2-11284-1	2-11284-1	2-11284-1	2-11285-1	2-11285-1	2-11285-1	2-11285-1
20	Inner O Ring - (2) req'd	R520-4080-V	R520-4080-V	R520-4102-V	R520-4102-V	R520-4102-V	R520-4140-V	R520-4140-V	R520-4140-V	R520-4140-V
21	Outer O Ring	R520-4115-V	R520-4115-V	R520-4166-V	R520-4166-V	R520-4166-V	R520-4207-V	R520-4207-V	R520-4207-V	R520-4207-V
ADJUSTING SCREW ASSEMBLY										
22	Curtain Adjusting Screw	2-0724-1A	2-0724-1A	2-0724-1A	2-4890-1	2-4890-1	2-4890-1	2-0792-1A	2-0792-1A	2-0783-1A
23	Collar	N/A	N/A	N/A	2-4889-1	2-4889-1	2-4889-1	2-0794-1A	2-0794-1A	2-0785-1A
24	Packing	2-6563-1	2-6563-1	2-6563-1	2-6563-2	2-6563-2	2-6563-2	2-6563-3	2-6563-3	2-6563-4
25	Packing Nut	2-0773-6	2-0773-6	2-0773-6	2-0773-3	2-0773-3	2-0773-3	2-0773-4	2-0773-4	2-0773-1
26	Adjusting Screw Knob	2-0725-1	2-0725-1	2-0725-1	2-0762-1	2-0762-1	2-0762-1	2-0793-1	2-0793-1	2-0784-1
27	Collar Roll Pin	N/A	N/A	N/A	R570-4130-S	R570-4130-S	R570-4130-S	R570-4180-S	R570-4180-S	R570-4220-S
28	Knob Roll Pin	R570-4130	R570-4130	R570-4130	R570-4135	R570-4135	R570-4135	R570-4190	R570-4190	R570-4230
29	Companion Flange	-	-	-	-	-	-	-	2-0855-1 (2) req'd	2-3730-2 (2) req'd
30	Flange Gasket	-	-	-	-	-	-	-	2-1295-4 (2) req'd	2-1295-5 (2) req'd
31	Flange Bolt	-	-	-	-	-	-	-	R066-3750 (10) req'd	R066-3750 (12) req'd
32	Flange Nut	-	-	-	-	-	-	-	R510-2399 (10) req'd	R510-2399 (12) req'd

** Replacement parts required to upgrade an old-style 1010/1008 series valve into a 1010A/1008A series valve. These parts are required to repair the shaft seal or bottom plate gasket seal on an old-style 1010/1008 series valve (see Replacement Parts info on this sheet).

*** Item supplied in sealed plastic bag, de-greased and cleaned for oxygen service.

WARNING: All service and any part replacement required on any oxygen handling equipment should only be performed by trained and experienced personnel familiar with the potential hazards associated with oxygen systems and component and part cleaning requirements. The safe operation and maintenance of oxygen systems are the responsibility of the users who should obtain qualified professional training prior to attempting to perform service.

1008A-C/1010A-C-1 Replacement Parts

