



## North American Adjustable Port Valves

Adjustable port valves are for control purposes only.  
**They are not for tight shutoff.**

### GENERAL INFORMATION

Adjustable Port Valves are ideal for automatic control of fuel or air flow to meet the requirements of modern instrumentation. The adjustable port feature permits sizing the valve to fit the job, after valve has been installed. Linkages can be adjusted for full or limited valve travel.

### INSTRUCTIONS - 1004 and 1014 VALVES for air at 3 psi or less

When installing valves, support piping properly so there is no undue stress on the valves. Grease or other lubricants should not be applied to valve core or curtain, since dirt adhering to the lubricant increases friction.

To adjust port area, set linkage for full valve travel. With valve handle at the wide open position, loosen screw (6) and retract the curtain fully (open) by turning knob (8) clockwise.

Set burners for slightly more than maximum desired firing rate, using individual manual valves at the burners. Turn adjusting knob (8) counterclockwise until air pressure gauge shows a slight decrease, or until desired pressure is obtained. Tighten screw (6) into one of the holes in the adjusting knob (8) to prevent accidental shifting. Adjust linkage for low fire desired.

Valve internals can be cleaned or replaced without removing the valve from the pipe line.

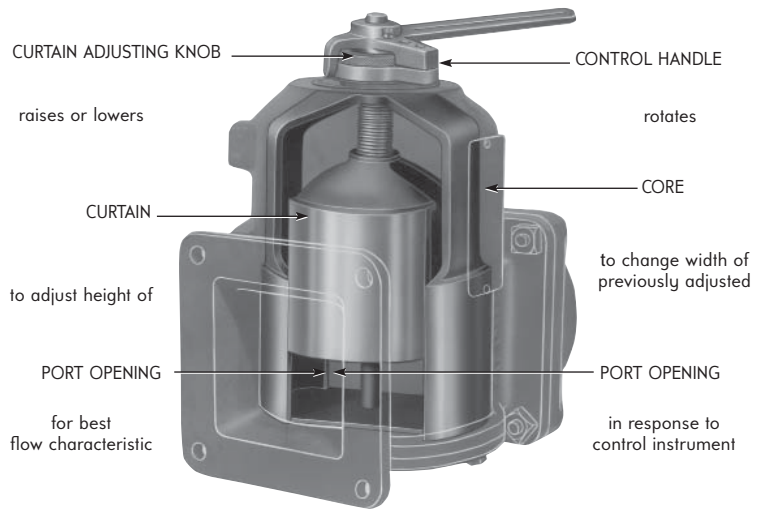
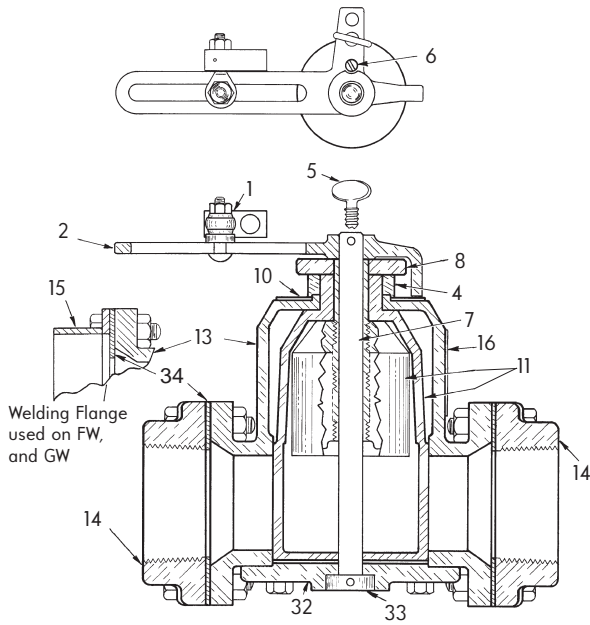
The following table shows the number of turns required for adjusting the curtain height from full open to fully closed.

1004 and 1014 Valves

Valve size	Number of Turns from Full Open to Fully Closed
B	27
C	32
D	48
E	48
F	72
G	36

**WARNING:** Situations dangerous to personnel and property may exist with the operation and maintenance of any combustion equipment. The presence of fuels, oxidants, hot and cold combustion products, hot surfaces, electrical power in control and ignition circuits, etc., are inherent with any combustion application. Parts of this product may exceed 160F in operation and present a contact hazard. Fives North American Combustion, Inc. urges compliance with National Safety Standards and insurance Underwriters recommendations, and care in operation.

1004 AND 1014 PARTS LIST



All Air Valves include threaded companion flanges unless suffix "W" is used, which means welding type companion flange.

Item No.	Item Name	Series 100__	Valve Designation					
			B	C	D	E	F	G
1	Simple Swivel Assem.	4, 14	2-5021-2	2-5021-2	2-5021-2	2-5021-2	2-5021-2	2-5021-2
2	Control Handle	4, 14	2-3434-2	2-3435-2	2-3435-2	2-3436-2	2-3436-2	2-3437-2
4	Quadrant	4, 14	2-1161-1	2-1162-1	2-1162-1	2-1163-1	2-1163-1	—
5	Handle Locking Screw	4, 14	R777-5230	R777-5230	R777-5230	R777-5350	R777-5350	R777-5340
6	Curtain Locking Screw	4, 14	R775-1940	R775-1940	R775-1940	R775-2870	R775-2870	R775-3550
7	Shaft	4 14	2-0890-1 2-0890-1A	2-0890-2 2-0890-2A	2-0890-3 2-0890-3A	2-0890-4 2-0890-4A	2-0890-5 2-0890-5A	2-0890-6 2-0890-6A
8	Curtain Adj. Screw and Knob	4, 14	2-1617-1	2-1617-2	2-1617-3	2-1617-4	2-1617-5	2-1617-6
10	Indicator Plate	4, 14	2-0810-1	2-1137-1	2-1137-1	2-0686-1	2-0686-1	2-1613-1
11	Core (Sleeve)† and Curtain (Slide)† Ass'y	4 14	2-5897-1 2-5897-2	2-5897-3 2-5897-4	2-5897-5 2-5897-6	2-5897-7 2-5897-8	2-5897-9 2-5897-10	2-5897-11 2-5897-12
13	Body	4 14	2-1626-1	2-0371-1	2-0410-1	2-0405-1	2-0424-1	2-0355-2△ 2-0354-1○ 2-0355-2A△ 2-0354-1○
14	Flange	4, 14	8765-3-B(1½") 8765-4-B(2")	8765-4-C(2") 8765-5-C(2½") 8765-6-C(3")	8765-6-D(3") 8765-7-D(4") 8765-8 × 7-D(6" × 4")	8765-8-E(6")	8765-9-F(8")	
15	Welding Flange	4, 14	—	—	—	—	8765-9-FW(8") 2-9914-1(10")	2-3753-1(10") 2-3754-1(12") 2-3749-1(14")
16	Nameplate	4, 14	2-0993-1	2-0993-1	2-0993-1	2-0993-1	2-0993-1	2-0993-1
32	Coverplate	4, 14	2-0394-1	2-0427-1	2-0428-1	2-0429-1	2-0888-1	2-0889-1
33	Collar	4, 14	2-0891-1	2-0891-2	2-0891-2	2-0891-3	2-0891-3	2-0891-4
34	Gasket	4, 14	4-5371-1	4-5371-2	4-5371-3	4-5371-4	4-5371-5	4-5371-6

† The Core and curtain are ground as a unit for a precision fit and must be purchased as a set.  
 △ Upper Half of Body.      ○ Lower Half of Body.



**CONTACT US:**  
 Fives North American Combustion, Inc.  
 4455 East 71st Street - Cleveland, OH 44105 - USA  
 Tel: +1 216 271 600 - Fax: +1 216 641 7852  
 Email: fna.sales@fivesgroup.com