

North American Pressure Regulators for Oil and Compressed Air

7142A and 7152A Regulators reduce oil or compressed air line pressures (up to 250 psig) to a reduced constant outlet pressure.

7142A REGULATOR (for light oil and air)

7142A Regulators are frequently installed upstream of North American 7052 Air/Oil Ratiotrols, which require 25-30 psig inlet pressures.

Standard 7142A Regulator spring range is 15-30 psig, 25-75 psig or 70-150 psig outlet--it is factory set for 30 psig.

Body: cast iron with brass trim.

Diaphragm: neoprene.

Seat: Nitrile.

Maximum temperature: 180 F.

7152A REGULATOR (for heavy oil)

Standard spring range is 15-30 psig, 25-75 psig or 70-150 psig outlet, factory set for 70 psig.

Body: cast iron with stainless steel trim.

Diaphragm: Viton.

Seat: Teflon.

Maximum temperature: 300 F.



Regulators can be installed in any position. An arrow on the body indicates direction of flow.

Outlet pressure is adjusted by loosening locknut and turning spring adjusting screw on top of regulator, then tightening locknut.

More trim options are available upon request to Fives North American Combustion, Inc.

CAPACITIES

gph
0.85 sp gr oil at 48 SSU

7142A and 7152A Regulators

viscosity/sp gr correction factors

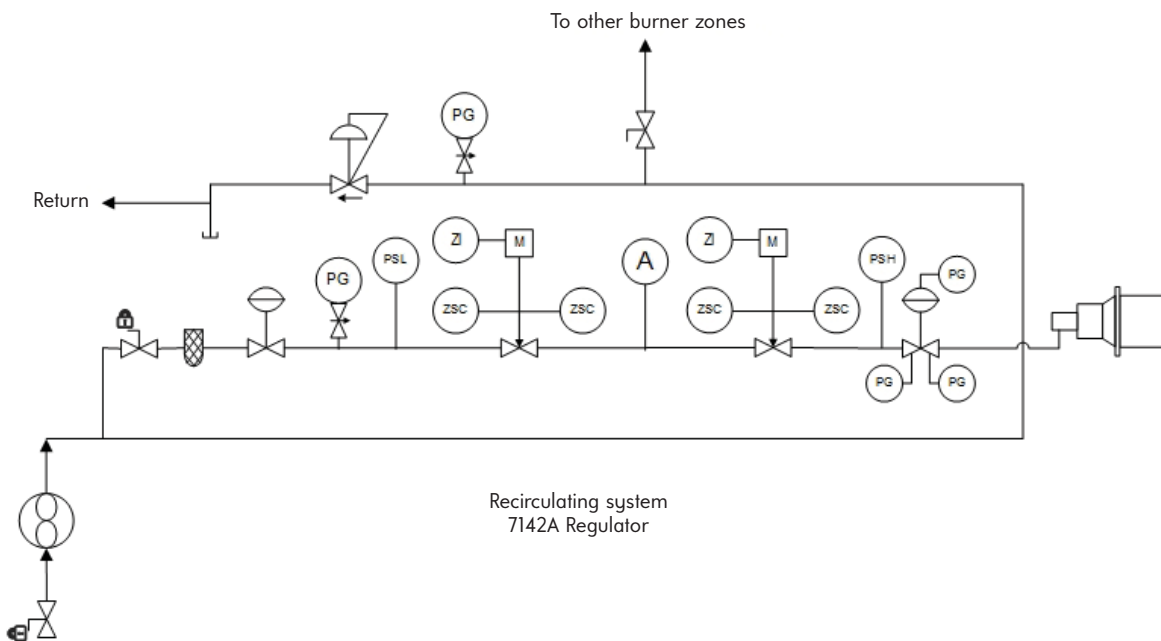
Multiply gph in tables by factor†.

oil grade	viscosity SSU	factor
4,5,6	100	0.9
4	300	0.85
6	2000	0.5
5	4000	0.4
6	5000	0.3

† When choosing factors for heavier oils, make sure oil temperature required for desired SSU value does not exceed regulator temperature rating.

pressure, outlet	psig inlet	1/2"		3/4"		1"	
		10% droop gph	20% droop gph	10% droop gph	20% droop gph	10% droop gph	20% droop gph
30 psig (15 to 30 psig spring)	60	495	846	846	1392	1132	1952
	75	553	943	943	1529	1366	2342
	100	651	1106	1106	1757	1757	2993
	150	716	1171	1204	1887	1887	3123
	200	782	1237	1301	2017	2018	3254
50 psig (25 to 75 psig spring)	250	879	1269	1334	2083	2473	3742
	60	442	852	865	1483	1106	1952
	75	520	911	911	1562	1171	2017
	100	585	1106	1171	1887	1626	2668
	150	651	1171	1366	2212	1757	3123
75 psig (70 to 150 psig spring)	200	715	1236	1562	2538	1887	3579
	250	813	1367	1594	2538	2343	3969
	100	651	1171	1171	1952	1431	2472
	125	735	1269	1334	2166	1789	3013
75 psig (70 to 150 psig spring)	150	813	1366	1497	2375	2148	3546
	200	976	1562	1822	2798	2863	4620
	250	1008	1627	1953	3026	3026	4815

LIGHT OIL PIPING SCHEMATIC



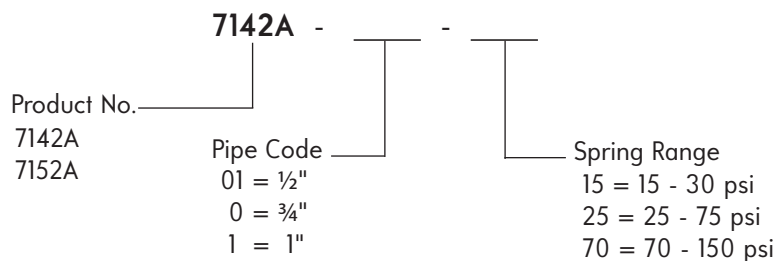
The 7142A Regulator can also be used for reducing compressed air supply pressures on the TwinBed II pneumatic control system.

The 7142A Regulator should be installed in the compressed air piping upstream of the cycle control solenoid valves when the plant air supply exceeds 70 psi. A constant supply pressure is desired to avoid cyclic pressure swings. (Reference TwinBed II Pneumatic Piping Schematics 1444A.)

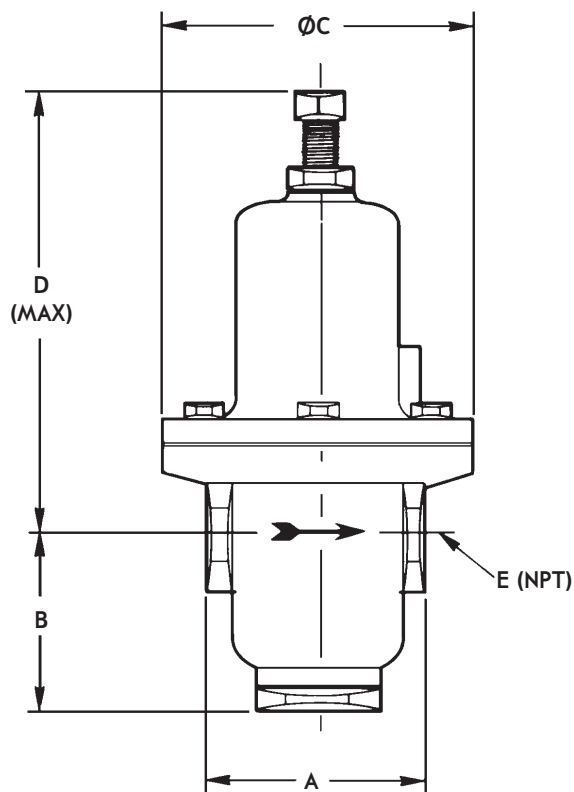
SCFH CAPACITIES COMPRESSED AIR

pressure, outlet	psig inlet	(1/2")		(3/4")		(1")	
		10% droop scfh	20% droop scfh	10% droop scfh	20% droop scfh	10% droop scfh	20% droop scfh
30 psig (15 to 30 psig spring)	40	1700	3000	3500	6000	4000	8000
	50	2000	3400	4100	7100	5600	10000
	75	2500	3900	5400	8500	7600	13000
	100	3000	4400	6700	9900	9600	16000
	150	3500	5100	6600	10000	12000	19000
	200	4000	5800	6400	10000	15000	21000
	250	4800	6400	6400	11000	15000	21000
50 psig (25 to 75 psig spring)	60	2500	4500	5900	9500	5500	12000
	75	3100	5200	6500	11000	8500	14000
	100	3800	6200	8100	13000	10000	18000
	150	4800	7300	9500	15000	14000	22000
	200	5800	8500	11000	17000	18000	26000
250	6500	8900	12000	17000	18000	28000	
75 psig (70 to 150 psig spring)	100	3000	6700	10000	17000	12000	19000
	125	4100	7700	12000	18000	15000	24000
	150	5200	8600	13000	20000	18000	28000
	200	7300	11000	16000	24000	23000	37000
	250	8300	12000	16000	25000	24000	38000

ORDERING INSTRUCTIONS



DIMENSIONS (inches)



7142A / 7152A (inches)

Pipe Size	A	B	C	D	E	Approx. Wt. lb.
½"	3.88	1.85	4.25	8.29	½	10
¾"	4.88	2.27	6.06	10.21	¾	22
1"	4.88	2.27	6.06	10.21	1	22

WARNING: Situations dangerous to personnel and property may exist with the operation and maintenance of any combustion equipment. The presence of fuels, oxidants, hot and cold combustion products, hot surfaces, electrical power in control and ignition circuits, etc., are inherent with any combustion application. Parts of this product may exceed 160F in operation and present a contact hazard. Fives North American Combustion, Inc. urges compliance with National Safety Standards and insurance Underwriters recommendations, and care in operation.



CONTACT US:
Fives North American Combustion, Inc.
 4455 East 71st Street - Cleveland, OH 44105 - USA
 Tel: +1 216 271 600 - Fax: +1 216 641 7852
 Email: fna.sales@fivesgroup.com

www.fivesgroup.com