



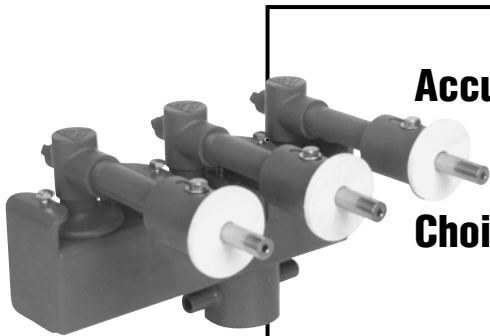
**North American**  
Manufacturing Company

# Forehearth Heating Solutions

**For: Container  
Tubing  
Flat**

**Specialty  
Fiberglass  
Pressedware**

## Optimize Your Forehearth Combustion System With Accurate, Packaged High Turndown Systems...



### Accurate, Responsive Heat Output

- Linear Control
- Repeatable Glass Temperature

### Choice of Burner Systems

- Multiple Tip Manifolds
- Tunnel
- Flat Flame

### High Turndown

- Reduced Cooling Air
- Extremely Wide Operating Range
- Cooling Through Burner Option

### Accurate Air/Gas Ratio Control

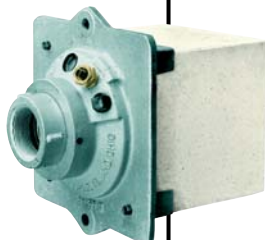
- Stable Atmosphere Above Glass
- Lowest Operating Cost

### Rugged, Long Life Components

- Maximum Life
- Minimal Inventory Needed

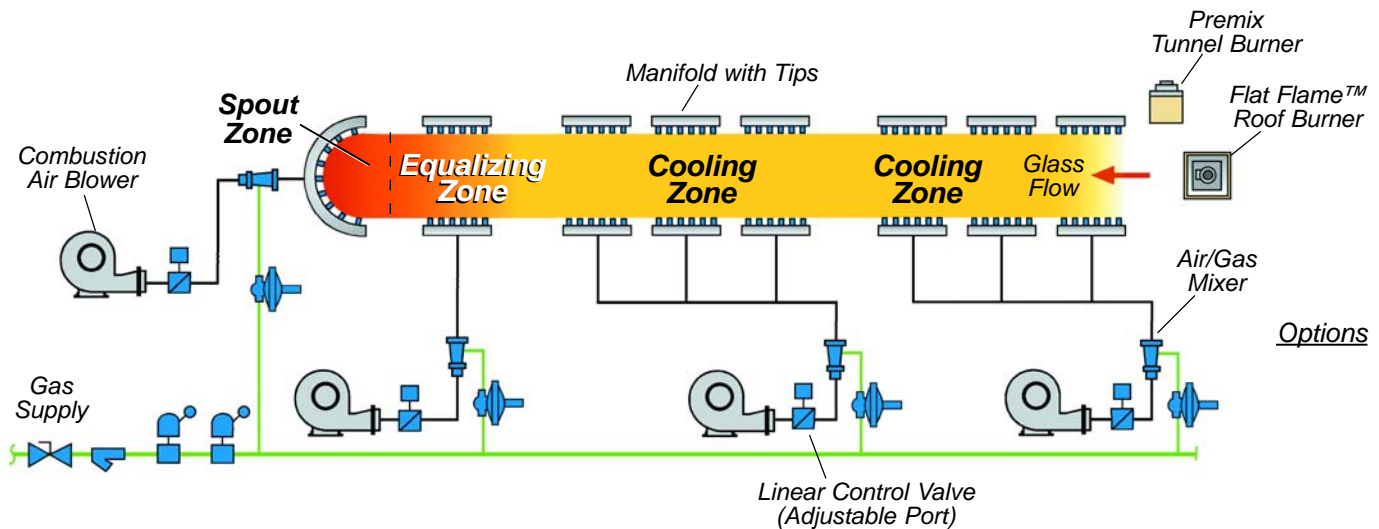
### The Complete Solution

- Process Evaluation
- Single Source Supply
- Start Up and Tune Up Service



*Glass Industry Systems*

# From the Blower to the Burner... From the Gas Supply to the Mixers...



## We Are Your Single Source Combustion Provider!

### ■ Packaged Components

- Burner Manifolds
- Burner Tips
- Tunnel Burners
- Roof Flat Flame Burners
- Mixers
- Ratio Regulators
- Adjustable Port Valves
- Fans & Blowers
- Engine Driven Fans
- Variable Speed Drives
- Start Up/Tune Up Service
- Training

## Heating Solutions for All Industries

That's what we provide. In Glass, Steel, Ceramics, Brick, Aluminum, Incineration, and many others!  
Let North American use this broad experience to help you optimize your process, on time and within budget.



**North American**  
Manufacturing Company

4455 East 71st Street, Cleveland, OH 44105-5600 USA  
Tel: 216-271-6000 Fax: 216-641-7852

### North American Mfg. (Canada) Inc.

540 Piercey Rd., Bolton, Ont. L7E 5B4, Canada  
Tel: 905-857-3337 Fax: 905-857-0304