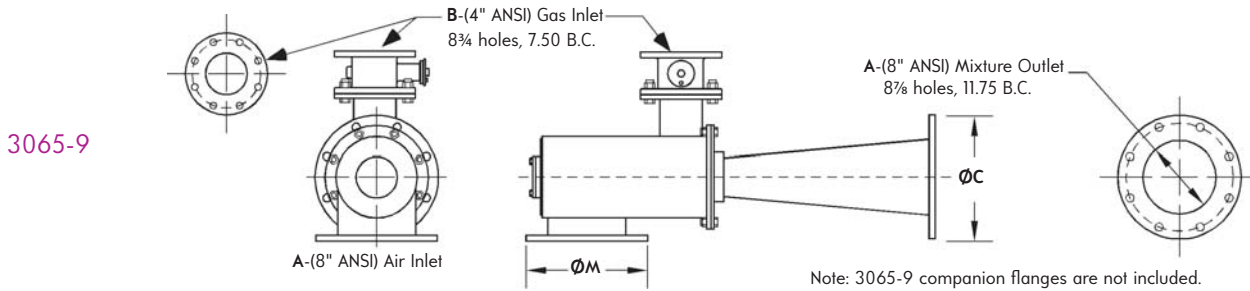
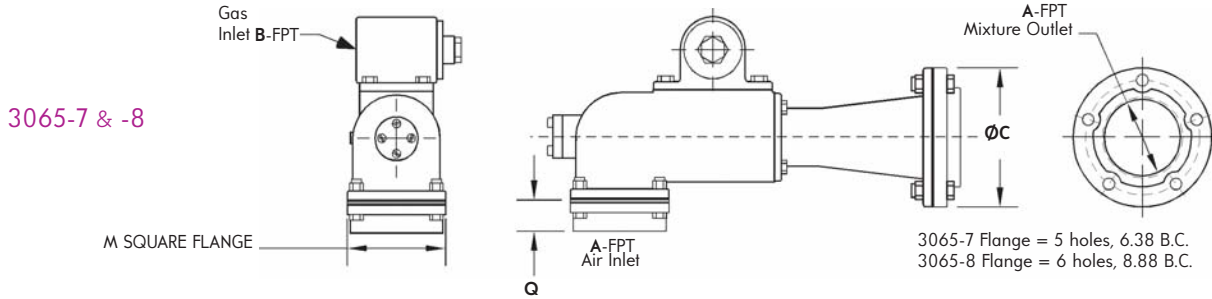
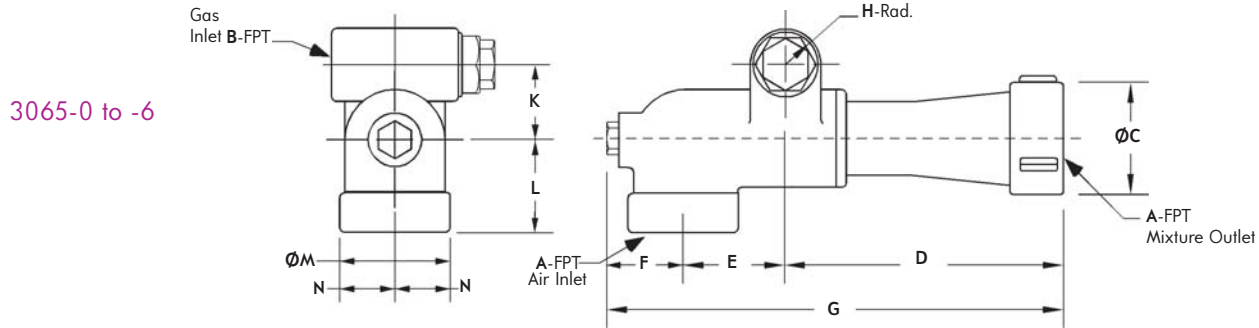


# North American Aspirator Mixers

Dimensions &amp; Parts List 3065-2


**Table 1.**

Mixer designation	Dimensions in inches													Wt, lb.	Gas ADJ Allen wrench size	
	A	B	C	D	E	F	G	H	K	L	M	N	P			Q
<b>3065-0</b>	3/4	1/2	1.56	4.03	1.75	1.50	7.28	0.63	1.19	1.66	1.56	1.25	2.00	-	4	3/32
<b>3065-1</b>	1	3/4	1.93	4.13	1.81	1.50	7.44	0.75	1.38	1.88	1.93	1.28	2.03	-	5	5/32
<b>3065-2</b>	1 1/4	1	2.25	5.88	2.06	1.69	9.63	0.88	1.66	2.03	2.38	1.47	2.22	-	7	5/32
<b>3065-3</b>	1 1/2	1	2.63	6.50	2.44	1.81	10.75	0.84	1.75	2.16	2.63	1.50	2.25	-	8	5/32
<b>3065-4</b>	2	1 1/4	3.00	8.38	3.50	2.06	13.93	1.13	2.19	2.63	3.00	1.56	2.38	-	14	5/32
<b>3065-5</b>	2 1/2	1 1/2	3.75	10.31	4.06	2.31	16.69	1.22	2.50	3.13	3.75	1.63	2.63	-	18	5/32
<b>3065-6</b>	3	2	4.38	10.50	4.56	3.13	18.19	1.50	2.93	3.38	4.38	2.00	3.06	-	27	7/32
<b>3065-7</b>	4	2 1/2	7.75	13.93	5.19	3.56	22.69	1.81	4.81	4.93	5.50	2.25	3.53	1.50	48	7/32
<b>3065-8</b>	6	3	10.38	17.44	8.81	4.93	31.19	2.19	6.00	6.19	8.25	2.93	4.56	1.75	125	7/32
<b>3065-9</b>	8	4	13.50	27.69	10.50	6.25	44.44	-	8.69	6.75	13.50	-	-	-	170	N/A

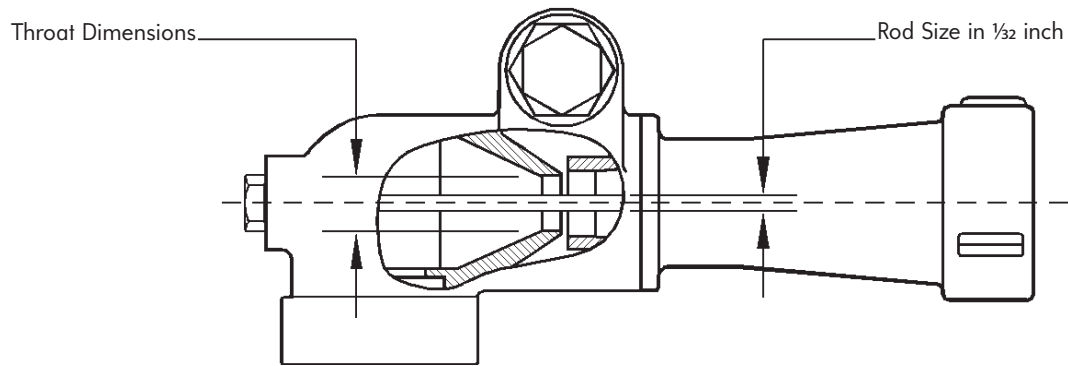
**Table 2. Mixer Throat Dimensions**

Mixer Size	Throat Dia. Inches	Throat Area Sq. Inches
4037 #	0.156	0.019
4031 #	0.209	0.034
3065-0	0.375	0.110
3065-1	0.438	0.150
3065-2	0.594	0.277
3065-3	0.719	0.406
3065-3-S	0.844	0.559
3065-4	0.906	0.645
3065-4-S	1.000	0.785
3065-5	1.063	0.887
3065-5-S	1.250	1.227
3056-6	1.281	1.289
3065-6-S	1.594	1.995
3056-7	1.750	2.405
3065-7-S	2.188	3.758
3065-8	2.750	5.940
3065-8-S	3.313	8.618
3065-9	3.688	10.680

**Table 3. Mixer Rod Dimensions**

Rod Size	Rod Area Square Inches	Rod Size	Rod Area Square Inches
0	0.000	24	0.442
4	0.012	26	0.518
5	0.019	28	0.601
6	0.028	30	0.690
7	0.038	32	0.785
8	0.049	34	0.887
9	0.062	36	0.944
10	0.077	38	1.108
11	0.093	40	1.227
12	0.110	44	1.485
13	0.130	48	1.767
14	0.150	52	2.074
15	0.173	56	2.405
16	0.196	60	2.761
17	0.222	64	3.142
18	0.249	68	3.547
20	0.307	72	3.976
22	0.371	80	4.909

# The 4031 and 4037 are small mixers commonly used for small premix pilot tips.



Mixer Orifice Area = Throat Area - Rod Area

**Table 4. Available Rod Sizes**

Mixer	Rod Part Numbers = 3065- _ - RA																
3065-0	0	5	6	7	8	9											
3065-1	0*	4	5	6	8	9	10	11									
3065-2	0*	4	5	6	8	9	10	11	12	13							
3065-3	0*	4	5	6	7	8	9	10	11	12	13	14					
3065-4	0*	5	6	7	8	10	11	12	13	14	15	16	17	18			
3065-5	0*	6	8	9	10	12	13	14	15	16	17	18					
3065-6	0*	6	7	9	10	12	13	14	15	16	18	20	22	24			
3065-7	0*	4	10	12	14	15	16	18	20	24	26	28	30	32	34*	36*	38*
3056-8	0*	15	16	20	24	28	32	36	40*	44*	48*	52*	56*	60*	64*	68*	72*
3065-9	0	24	32	40	48	56	64	72	80								

Rod Sizes #15 and smaller are solid, #16 (1/2"Ø) and larger are tubular.  
The "0" size is a plug only.

\*These rods are available with a centerline observation port.

To order a mixer with an observation port add "OP" to the part number. **Example: 3065-7-S36OP**

To order a Rod only with observation port ad "OP" to the part number. **Example: 3065-8-68RAOP**

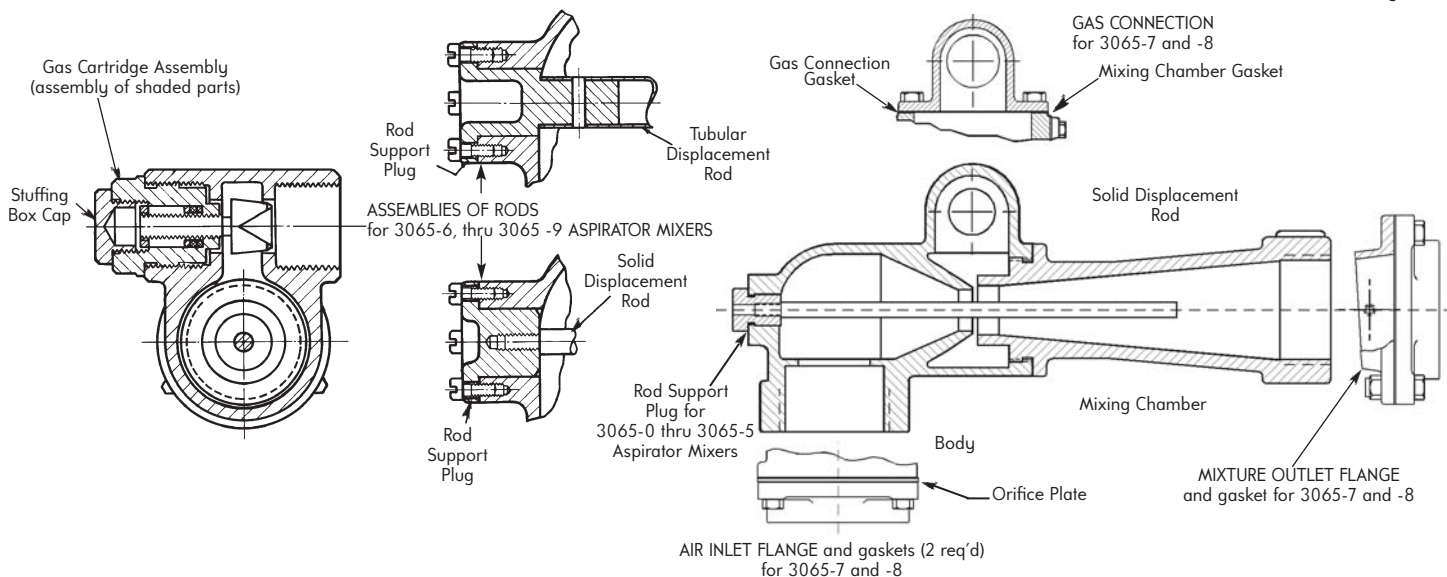


Table 5. 3065, 3065- -S and 3065- -K (All Iron/Steel) PARTS LIST

Part Name	Mixer designation									
	3065-0 3065-0-K	3065-1 3065-1-K	3065-2 3065-2-K	3065-3 3065-3-K	3065-4 3065-4-K	3065-5 3065-5-K	3065-6 3065-6-K	3065-7 3065-7-K	3065-8 3065-8-K	3065-9 3065-9-K
Body (3065)	4-1452-2	4-0762-2	4-0787-2	4-0789-3	4-0791-3	4-0793-3	4-0796-4	4-1147-1	4-1137-4	4-2305-1
Body (3065- -S)	-	-	-	4-0789-4	4-0791-4	4-0793-4	4-0796-5	4-1147-2	4-1137-2	-
Body Gasket	-	-	-	-	-	-	-	-	-	4-1888-1
Displacement Rod and Support Nut Assembly	Order by specifying, "3065-(code size)-(rod size RA)." Example: 3065-1-5RA -- Rod Size #5. Rod size is its diameter in thirty-seconds of an inch. (For the nut only, specify 3065-1-0RA), #16 (1/2") and larger "rods" are tubes. Rods are not available without nuts. See below for rod sizes available for each size mixer.									
Flange (Air Inlet) Square	-	-	-	-	-	-	-	2-2310-7	2-2310-8	-
Flange (Mixture) Round	-	-	-	-	-	-	-	2-0855-1	2-0471-1	-
Flange Gasket (Air) (2 req'd)	-	-	-	-	-	-	-	4-31521-3	4-31521-4	-
Flange Gasket (Mixture)	-	-	-	-	-	-	-	4-31522-2	4-31522-3	-
Gas Cartridge (3065)	4-6062-0	4-6062-1	4-6062-2	4-6062-3	4-6062-4	4-6062-5	4-6062-6	4-6062-7	4-6062-8	†
Assembly (3065- -K)	4-6065-0K	4-6065-1K	4-6065-2K	4-6065-3K	4-6065-4K	4-6065-5K	4-6065-6K	4-6065-7K	4-6065-8K	-
Gas Connection	-	-	-	-	-	-	-	4-1148-3	4-1145-3	-
Gas Connection Gasket	-	-	-	-	-	-	-	4-31523-1	4-31523-2	R289-1431
Mixing (3065)	4-0910-1	4-0759-1	4-0788-1	4-0790-1	4-0792-1	4-0794-1	4-0797-1	4-1144-3	4-1138-5	4-1886-1
Chamber (3065- -S)	-	-	-	4-0790-2	4-0792-2	4-0794-2	4-0797-2	4-1144-4	4-1138-4	-
Orifice Plate	-	-	-	-	-	-	-	4-1154-1	4-1154-2	-
Mixing Chamber Gasket	-	-	-	-	-	-	-	4-31519-1	4-31529-1	-
Stuffing Box (3065)	4-6085-1	4-6086-1	4-6086-1	4-6086-1	4-6086-1	4-6086-1	4-6087-1	4-6087-1	4-6087-1	-
Cap‡ (3065- -K)	4-6085-2	4-6086-2	4-6086-2	4-6086-2	4-6086-2	4-6086-2	4-6087-2	4-6087-2	4-6087-2	-

† Gas adjustment for 3065-9 Mixer is an 1122-7-F Limiting Orifice Gas Valve -- mixer price includes valve. 3065-9 price does not include companion flanges.

‡ Included in Gas Cartridge Assembly, or can be ordered separately.

3065 or -S Rod Only Part Numbers = 3065- - RA  
 (Mixer not included) \_\_\_\_\_ Rod sizes (0 - 80 see Table 4 on Sheet 3065-2\_dims-pl)  
 \_\_\_\_\_ For use in mixer size (0 -9 )

DIMENSIONS SHOWN ARE SUBJECT TO CHANGE. PLEASE OBTAIN CERTIFIED PRINTS FROM FIVES NORTH AMERICAN COMBUSTION, INC.  
 IF SPACE LIMITATIONS OR OTHER CONSIDERATIONS MAKE EXACT DIMENSION(S) CRITICAL.

**WARNING:** Situations dangerous to personnel and property may exist with the operation and maintenance of any combustion equipment. The presence of fuels, oxidants, hot and cold combustion products, hot surfaces, electrical power in control and ignition circuits, etc., are inherent with any combustion application. Parts of this product may exceed 160F in operation and present a contact hazard. Fives North American Combustion, Inc. urges compliance with National Safety Standards and Insurance Underwriters' recommendations, and care in operation.



**CONTACT US:**  
**Fives North American Combustion, Inc.**  
 4455 East 71st Street - Cleveland, OH 44105 - USA  
 Tel: +1 216 271 6000 - Fax: +1 216 373 4237  
 Email: [fna.sales@fivesgroup.com](mailto:fna.sales@fivesgroup.com)

[www.fivesgroup.com](http://www.fivesgroup.com)