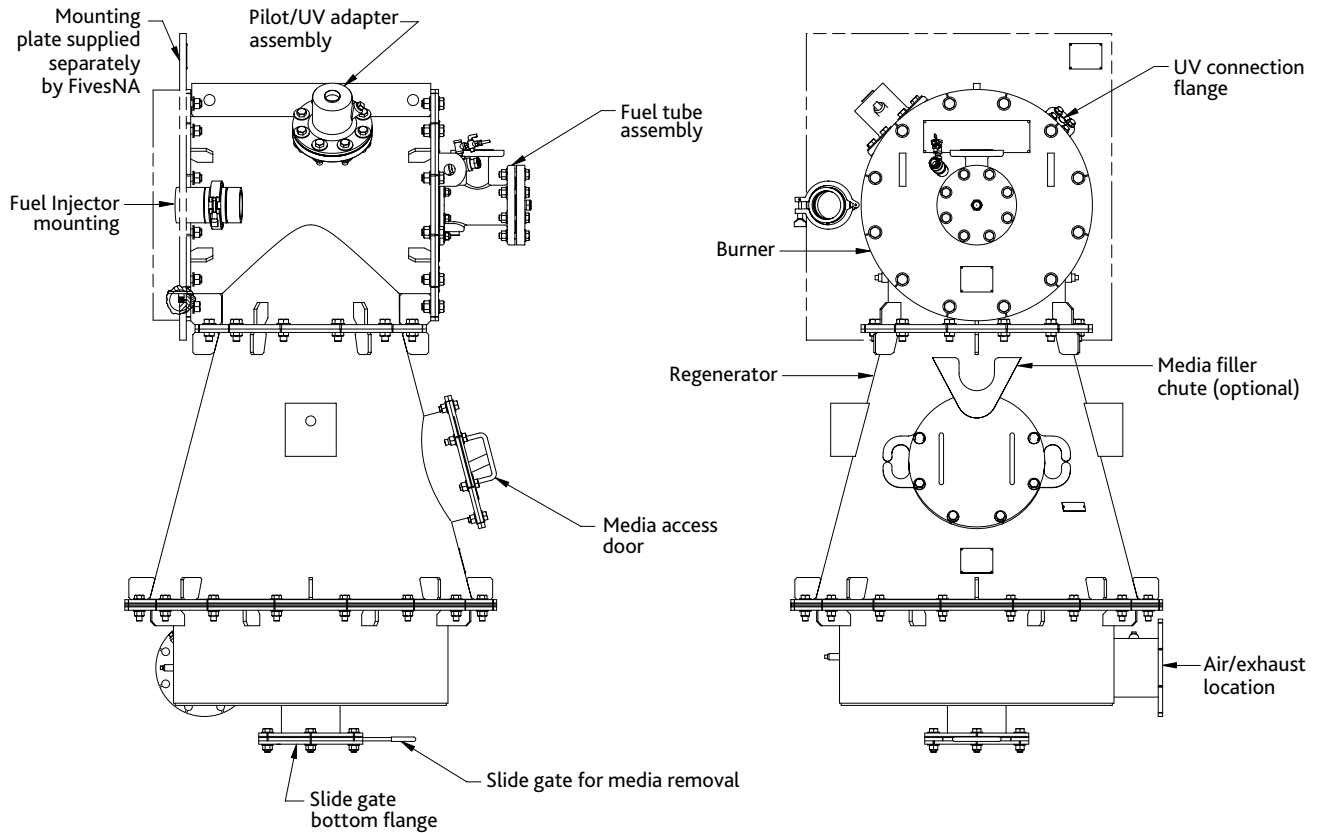
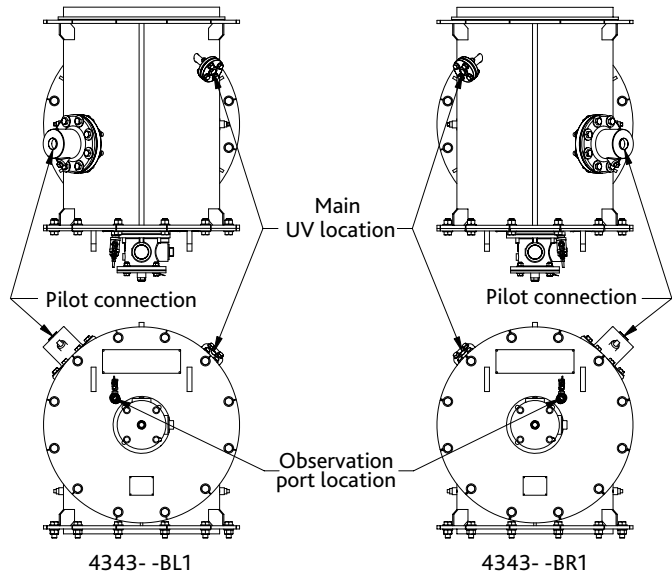


Component Identification

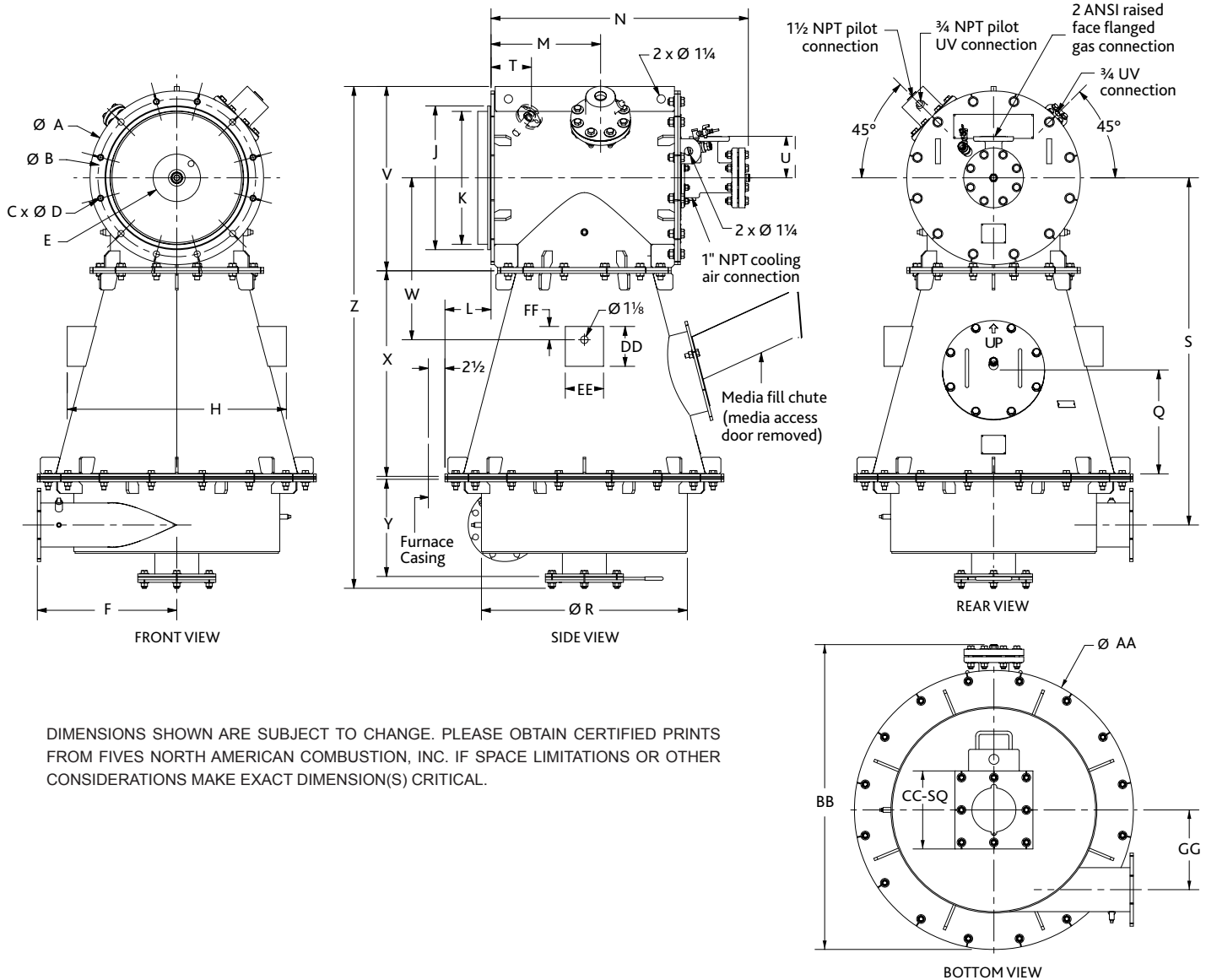


Main Flame UV and Pilot Locations



Pilot can be located on either the left or right side of the burner. Specifying pilot location automatically determines UV and observation port locations.

Straight Firing Arrangement



DIMENSIONS SHOWN ARE SUBJECT TO CHANGE. PLEASE OBTAIN CERTIFIED PRINTS FROM FIVES NORTH AMERICAN COMBUSTION, INC. IF SPACE LIMITATIONS OR OTHER CONSIDERATIONS MAKE EXACT DIMENSION(S) CRITICAL.

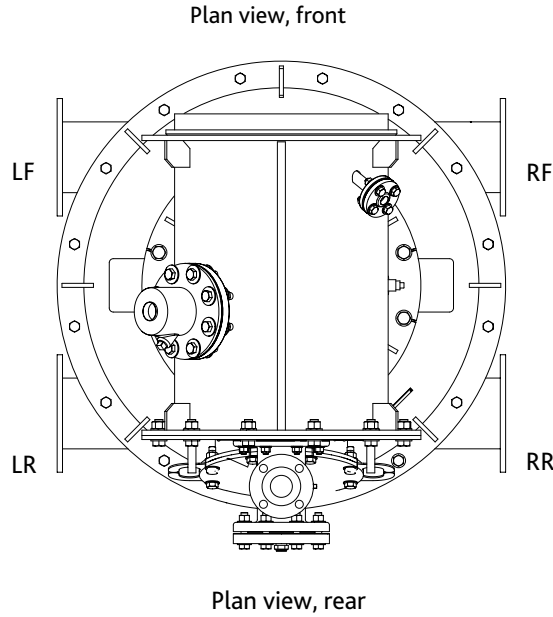
Burner and Regenerator Dimensions

(rounded to the nearest 1/8 inch)

Burner	A (OD)	B (B.C.)	C (Holes)	D (Dia)	E (Dia)	F	G	H	J (OD)	K (OD)	L	M	N	P	Q	R (OD)
7A	24 3/8	21 3/4	12	7/8	4 1/4	18 1/4	13 3/4	27 5/8	19 5/8	18	2 1/2	15 1/4	36 3/4	45 3/8	16	21 1/8
7B	24 3/8	21 3/4	12	7/8	7	19 1/2	16	32	19 5/8	18	6 1/2	15 1/4	36 7/8	45 3/8	15 1/4	29
8A	26 3/8	23 3/4	12	1	7 1/8	21	16 1/2	33	21 5/8	20	7	16 1/2	38 3/4	47 1/2	15 1/2	31
8B	30 3/8	27 3/4	12	1	8 5/8	22 1/2	19	38	25 5/8	24	6 1/2	19	42 3/4	51 1/4	15 5/8	35 1/2

Burner	S	T	U	V	W	X	Y	Z	AA (Dia)	BB	CC (Sq)	DD	EE	FF	GG
7A	45 3/4	5 5/8	6 1/4	25 3/4	23 3/8	28 3/8	10 3/4	67	31	39 3/8	11 3/4	2 1/2	4 3/4	1 1/4	8 1/8
7B	48 1/4	5 3/4	6 1/4	25 3/4	23 7/8	29	13 5/8	69 7/8	39	43 3/8	11 3/4	6	5 3/4	2	11
8A	52 3/4	6 1/8	6 1/4	27 3/4	24 3/8	31	14 5/8	75 1/2	42	45 3/4	11 3/4	6	5 3/4	2	12
8B	60	7 1/4	6 1/4	31 3/4	27 3/4	35	16 3/4	85 3/4	45	49 1/4	11 3/4	6	5 3/4	2	14 1/4

Air and Exhaust Connection Locations



Piping Connections

Burner	Cooling Air	Pilot UV	Main UV	Gas (flanged)	Air / Exhaust
7A	1"	3/4"	1 1/2"	2"	4" ANSI flange: 9" od x 3/8" thick, with 8 3/4" holes on 7 1/2" B.C.
7B					6" ANSI flange: 11" od x 1/2" thick, with 8 7/8" holes on 9 1/2" B.C.
8A	1"	3/4"	1 1/2"	2"	6" ANSI flange: 11" od x 1/2" thick, with 8 7/8" holes on 9 1/2" B.C.
8B					6" ANSI flange: 11" od x 1/2" thick, with 8 7/8" holes on 9 1/2" B.C.

Weight (pounds)

Burner	Head only	Regen. w/o media	Regen. w/media	Total w/o media	Total w/media	Media
7A	683	883	1203	1566	1886	320
7B	730	1238	1763	1968	2493	525
8A	906	1472	2141	2378	3047	669
8B	1360	1885	2851	3245	4211	966

WARNING: Situations dangerous to personnel and property may exist with the operation and maintenance of any combustion equipment. The presence of fuels, oxidants, hot and cold combustion products, hot surfaces, electrical power in control and ignition circuits, etc., are inherent with any combustion application. Parts of this product may exceed 160F in operation and present a contact hazard. Fives North American Combustion, Inc. urges compliance with National Safety Standards and insurance Underwriters recommendations, and care in operation.