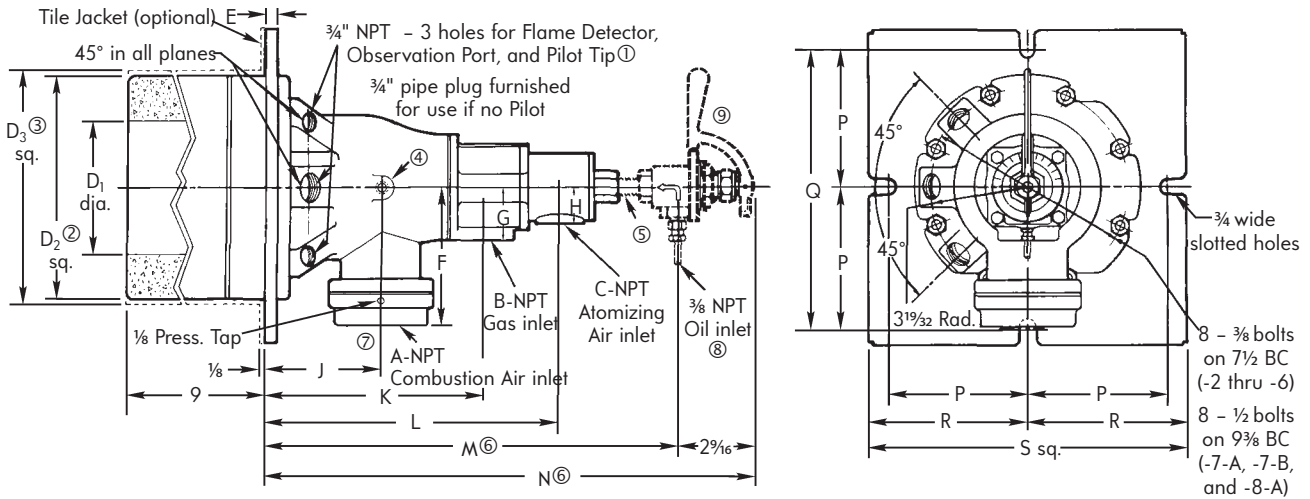


# North American Fire•All™ Dual-Fuel™ Burners

Dimensions 6422

DIMENSIONS in inches

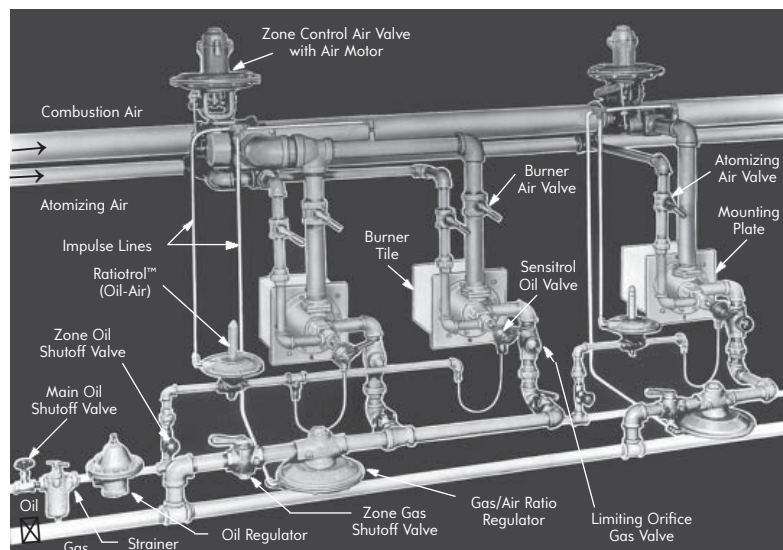


DIMENSIONS SHOWN ARE SUBJECT TO CHANGE. PLEASE OBTAIN CERTIFIED PRINTS FROM FIVES NORTH AMERICAN COMBUSTION, INC. IF SPACE LIMITATIONS OR OTHER CONSIDERATIONS MAKE EXACT DIMENSION(S) CRITICAL.

Burner designation	dimensions in inches																		
	A	B	C	D <sub>1</sub>	D <sub>2</sub> ②	D <sub>3</sub> ③	E	F	G	H	J	K	L	M ⑥	N ⑥	P	Q	R	S
6422-2	1 1/4	1	3/4	5	8 1/2	9 1/2	1/2	5 1/4	2	1 3/8	4 3/8	8 3/8	11 5/16	15 13/16	18 3/8	5 1/4	10 1/2	6	12
6422-3	1 1/2	1	3/4	5	8 1/2	9 1/2	1/2	5 1/4	2	1 3/8	4 3/8	8 3/8	11 5/16	15 13/16	18 3/8	5 1/4	10 1/2	6	12
6422-4	2	1 1/4	3/4	5	8 1/2	9 1/2	1/2	5 1/4	2	1 3/8	4 3/8	8 3/8	11 5/16	15 13/16	18 3/8	5 1/4	10 1/2	6	12
6422-5	2 1/2	1 1/2	1	5	8 1/2	9 1/2	1/2	5 1/4	2	1 3/8	4 3/8	8 3/8	11 5/16	15 13/16	18 3/8	5 1/4	10 1/2	6	12
6422-6	3	1 1/2	1	5	8 1/2	9 1/2	1/2	5 9/16	2	1 3/8	4 3/8	8 3/8	11 5/16	15 13/16	18 3/8	5 1/4	10 1/2	6	12
6422-7-A	4	2 1/2	1 1/4	7	10	11	9/16	6 15/16	2 5/8	2 1/8	5 7/8	11	15 1/8	20 1/16	22 5/8	6 1/8	12 1/4	6 3/4	13 1/2
6422-7-B	4	2 1/2	1 1/4	7	10	11	9/16	6 15/16	2 5/8	2 1/8	5 7/8	11	15 1/8	20 1/16	22 5/8	6 1/8	12 1/4	6 3/4	13 1/2
6422-8-A	6	2 1/2	2	7	10	11	9/16	10 11/16	2 5/8	1 3/4	5 7/8	11	15 1/8	20 1/16	22 5/8	6 1/8	12 1/4	6 3/4	13 1/2

- ① Pilot, Flame Detector, and Observation Port positions are interchangeable, as long as pilot and flame detector are in adjacent holes.
- ② Opening in furnace shell should be about 1/2" larger than dimension D<sub>2</sub> to allow for fillets and draft on mounting plate.
- ③ For 6422- -LC, -L4 and -L9 Burners only. Opening in oven shell should be about 1/4" larger than dimension D<sub>3</sub>.
- ④ 1/4" body air pressure tap on -2, -3, -4, -5, and -6. 1/8" body air pressure tap on -7-A, -7-B and -8-A.
- ⑤ Pipe nipple not furnished by Fives.
- ⑥ Dimensions M and N assume the use of a 3/8" NPT close nipple between burner and Sensitrol Oil Valve.
- ⑦ For 6422-8-A, air and gas connections cannot be piped in the same plane because the "flower pot" type air connection flange would interfere with the 2 1/2" gas line.
- ⑧ Metal tubing is offered as an extra cost option (order as P.N. 3-0310-7).
- ⑨ Optional (recommended) Sensitrol Oil Valve is not included as part of the burner assembly, and must be ordered separately.

Burner designation	wt, lb	Recommended Sensitrol™ Oil Valve <sup>®</sup>	Recommended Pilot Size
6422-2	83	1813-02-A	
6422-3	83	1813-02-A	4011-11
6422-4	83	1813-02-A	(or)
6422-5	83	1813-02-A	4011-12
6422-6	83	1813-02-B	
6422-7-A	139	1813-02-C	4011-11
6422-7-B	139	1813-02-C	(or)
6422-8-A	145	1813-02-D	4011-12



Piping arrangement for single- and double-burner zones.

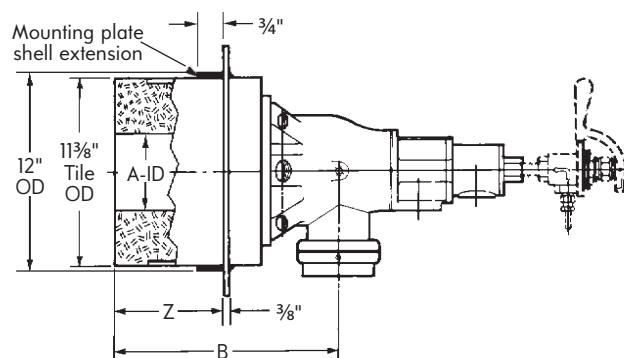
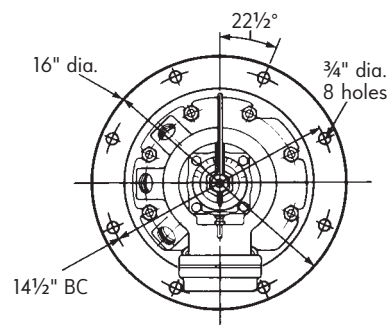
### ALTERNATIVE MODELS

6422 Burners for Fiber Lined Furnaces. For furnaces with ceramic fiber walls, special mounting/tile construction is available: 11 3/8" diameter tile, jacketed in RA330 expanded metal for all but 2" of its length; a circular mounting flange factory-installed from 2" to 9" ("Z" dimension) from the hot face of the tile.

Customer must specify this dimension to nearest 1/2" so tile face is about flush with inside furnace wall.

This construction is suitable for 2000 F furnace temperature.

See Supplement DF-M2 for detailed tile installation recommendations for fiber-lined furnaces.



Dimensions in inches			
Size designation	A	B	Z
-2 thru -6	5	13 3/8	†
-7-A thru -8-A	7	14 7/8	†

† "Z" dimension variable in 1/2" increments from 2" to 9".

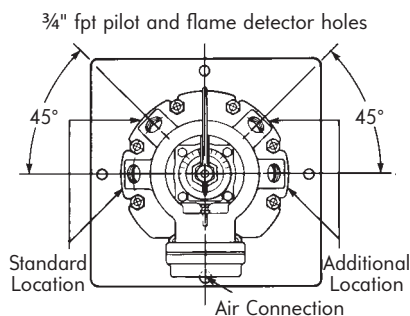
To order, specify: 6422-(code)-(A or B if applicable) (Z) Burner complete. (Order 1813 Sensitrol™ Oil Valve separately--it is not included in complete burner assembly.) Include Z dimension in the burner description: between 2" and 9", written to the nearest 0.5" as a decimal.

Example: Line Item 10 = 6422-7-AZ Burner complete with Z dimension of 6.0"  
Line Item 20 = 1813-02-C Sensitrol Oil Valve.

**6422 Burners with Extra Pilot and Flame Detector Location.**

The fixed relationship between 6422 Burner air connections and pilot/flame detector holes occasionally presents problems in mounting pilots and flame detectors clear of furnace buckstays or other structural members.

6422-2 through -6 Burners can be furnished with a 4-hole OC3-2042 burner body that has a set of pilot and flame detector holes on each side. Either set can be used and one on the other side used for an observation port--plug any unused holes.



**To order, specify:** 6422D-(code) Burner complete. (Order 1813 Sensitrol Oil Valve separately--it is not included in complete burner assembly.)

*Example:* Line Item 10 = 6422D-2 Burner complete with Special Double-Boss Body  
Line Item 20 = 1813-02-A Sensitrol Oil Valve

**WARNING:** Situations dangerous to personnel and property may exist with the operation and maintenance of any combustion equipment. The presence of fuels, oxidants, hot and cold combustion products, hot surfaces, electrical power in control and ignition circuits, etc., is inherent with any combustion application. Parts of this product may exceed 160F in operation and present a contact hazard. Fives North American Combustion, Inc. urges compliance with National Safety Standards and Insurance Underwriters' recommendations, and care in operation.



**CONTACT US:**  
Fives North American Combustion, Inc.  
4455 East 71st Street - Cleveland, OH 44105 - USA  
Tel: +1 216 271 6000 - Fax: +1 216 373 4237  
Email: [fna.sales@fivesgroup.com](mailto:fna.sales@fivesgroup.com)

[www.fivesgroup.com](http://www.fivesgroup.com)