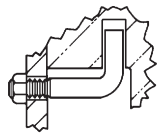


North American 6421 Quick Take-Apart Dual-Fuel Burner

Parts List 6421-2

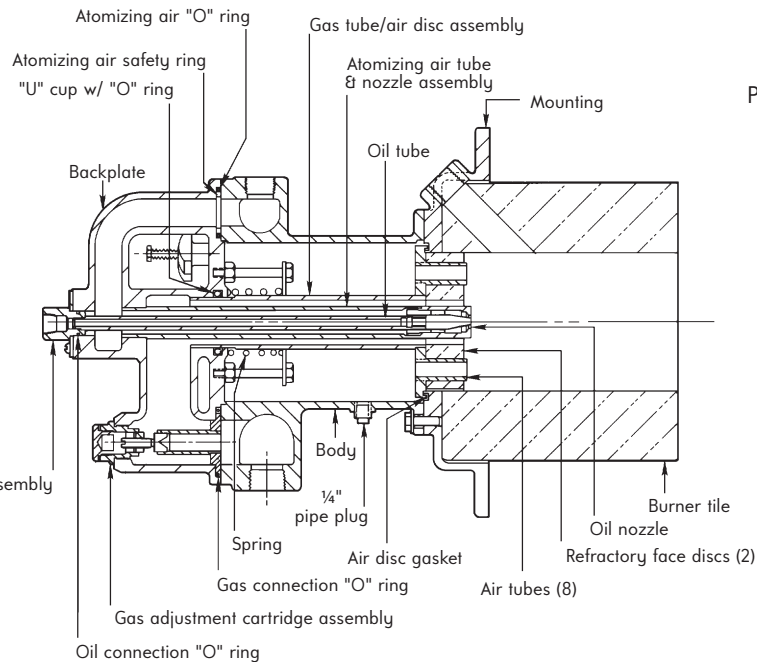


Tile retaining rods (4)



Sensitrol™
oil valve*

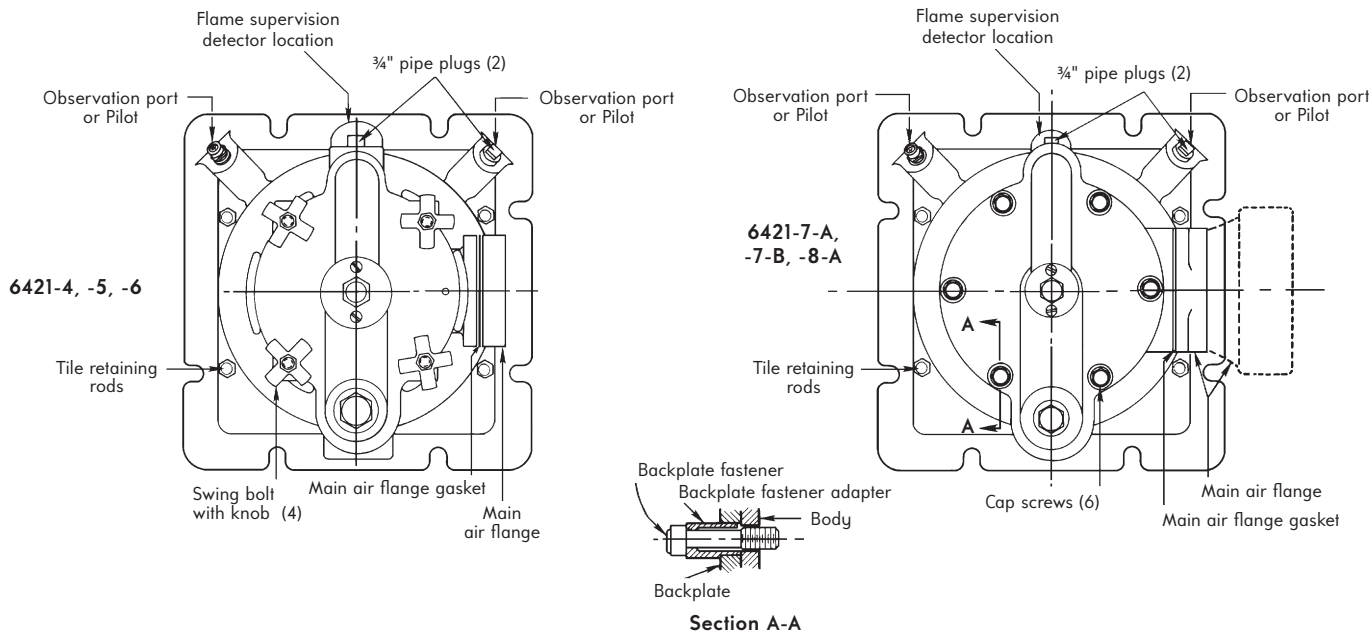
Oil connection assembly



Part name	Burner designation					
	6421-4	6421-5	6421-6	6421-7-A	6421-7-B	6421-8-A
Air Disc Gasket	3-5854-1	3-5854-1	3-5854-1	3-8265-1	3-8265-1	3-8265-1
Air Tube (8 req'd.) Inconel	3-3640-2	3-3639-2	3-3554-2	3-3273-3	3-3273-4	4-3684-2
Atom. Air "O" Ring	R520-4280	R520-4280	R520-4280	R520-4315	R520-4315	R520-4315
Atom. Air Conn. "O" Ring Holder	3-16069-1	3-16069-1	3-16069-1	3-16017-1	3-16017-1	3-16017-1
Atom. Air Tube & Nozzle Assembly	3-4587-4	3-4587-4	3-4587-4	3-6121-1	3-6121-1	3-6121-1
Backplate	3-4765-3	3-4765-3	3-4765-3	3-4826-2	3-4826-2	3-4826-2
Backplate Fastener				See page 2		
Backplate Fastener Adapter				See page 2		
Body	3-4764-5	3-4764-6	3-4764-6	3-4822-1	3-4822-1	3-4822-1
Burner Tile	3-6673-2	3-6673-2	3-6673-2	3-6673-3	3-6673-3	3-6673-3
Gas Adjustment Cartridge Assembly	3-7611-1	3-7611-2	3-7611-2	3-7611-3	3-7611-3	3-7611-3
Gas Conn. "O" Ring Holder	3-16049-1	3-16050-1	3-16050-1	3-16051-1	3-16051-1	3-16051-1
Gas Conn. "O" Ring	R520-4350	R520-4350	R520-4350	R520-4375	R520-4375	R520-4375
Gas Tube/Air Disc Assembly	3-5856-1	3-5856-1	3-5856-2	3-12511-1	3-12511-1	3-6125-1
Knob (4 req'd)				See page 2		
Main Air Flange				See page 2		
Main Air Flange Gasket				See page 2		
Mounting	3-5850-1	3-5850-1	3-5850-1	3-4638-4	3-4638-4	3-4638-4
Observation Port				See page 2		
Oil Conn. Assembly	3-4584-1	3-4584-1	3-4584-1	3-4584-1	3-4584-1	3-4584-1
Oil Conn. "O" Ring	R520-4136	R520-4136	R520-4136	R520-4136	R520-4136	R520-4136
Oil Nozzle	3-2541-1	3-2541-1	3-2541-1	3-2541-1	3-2541-1	3-2541-1
Oil Tube	3-4589-3	3-4589-3	3-4589-3	3-6119-1	3-6119-1	3-6119-1
Pipe Plug 3/4" (2 req'd)	R590-7850	R590-7850	R590-7850	R590-7850	R590-7850	R590-7850
Pipe Plug 1/4"	R590-7823	R590-7823	R590-7823	R590-7823	R590-7823	R590-7823
Pipe Plug 1/8" (2 req'd)	R590-7805	R590-7805	R590-7805	R590-7805	R590-7805	R590-7805
Refractory Face Disc (2 req'd)	4-4038-3	4-4038-3	4-4038-3	3-6123-1†	3-6123-1†	3-6123-1†
Sensitrol Oil Valve*	1813-02-A	1813-02-A	1813-02-B	1813-02-C	1813-02-C	1813-02-C
Spring	3-5794-1	3-5794-1	3-5794-1	3-5634-1	3-5634-1	3-6118-1
Swing Bolt (4 req'd)				See page 2		
Tile Retaining Rods	3-1115-2	3-1115-2	3-1115-2	3-1115-2	3-1115-2	3-1115-2
"U" Cup w/"O" Ring	R541-4217	R541-4217	R541-4217	R541-4231	R541-4231	R541-4231

* Sensitrol Oil Valve is not included as part of the burner assembly and must be ordered separately.

† Only 1 required.



Part name	Burner designation					
	6421-4	6421-5	6421-6	6421-7-A	6421-7-B	6421-8-A
Backplate	3-4765-3	3-4765-3	3-4765-3	3-4826-2	3-4826-2	3-4826-2
Backplate Fastener	-	-	-	4-13701-1	4-13701-1	4-13701-1
Backplate Fastener Adapter	-	-	-	4-13698-1	4-13698-1	4-13698-1
Body	3-4764-5	3-4764-6	3-4764-6	3-4822-1	3-4822-1	3-4822-1
Knob (4 req'd.)	3-6827-1	3-6827-1	3-6827-1	-	-	-
Main Air Flange	4-1695-2	4-1695-3	4-1695-9	8765-7-D	8765-7-D	8765-8 x 7-D
Main Air Flange Gasket	4-5371-2	4-5371-2	4-5371-2	4-5371-3	4-5371-3	4-5371-3
Observation Port	8790-0	8790-0	8790-0	8790-0	8790-0	8790-0
Swing Bolt (4 req'd.)	3-6492-2	3-6492-2	3-6492-2	-	-	-
Tile Retaining Rods (4 req'd.)	3-1115-2	3-1115-2	3-1115-2	3-1115-2	3-1115-2	3-1115-2

WARNING: Situations dangerous to personnel and property may exist with the operation and maintenance of any combustion equipment. The presence of fuels, oxidants, hot and cold combustion products, hot surfaces, electrical power in control and ignition circuits, etc., are inherent with any combustion application. Parts of this product may exceed 160F in operation and present a contact hazard. Fives North American Combustion, Inc. urges compliance with National Safety Standards and Insurance Underwriters' recommendations, and care in operation.



CONTACT US:
Fives North American Combustion, Inc.
 4455 East 71st Street - Cleveland, OH 44105 - USA
 Tel: +1 216 271 6000 - Fax: +1 216 373 4237
 Email: fna.sales@fivesgroup.com

www.fivesgroup.com