

## North American 8351A-T Epic® II Furnace Pressure Transmitter

Bulletin 8351A-T

- Measures draft range differential pressures
- 4-20 mA dc output
- Rugged construction for industrial environments
- 3-Wire transmitter



EPIC II Transmitter with optional 8760-D Manifold Block

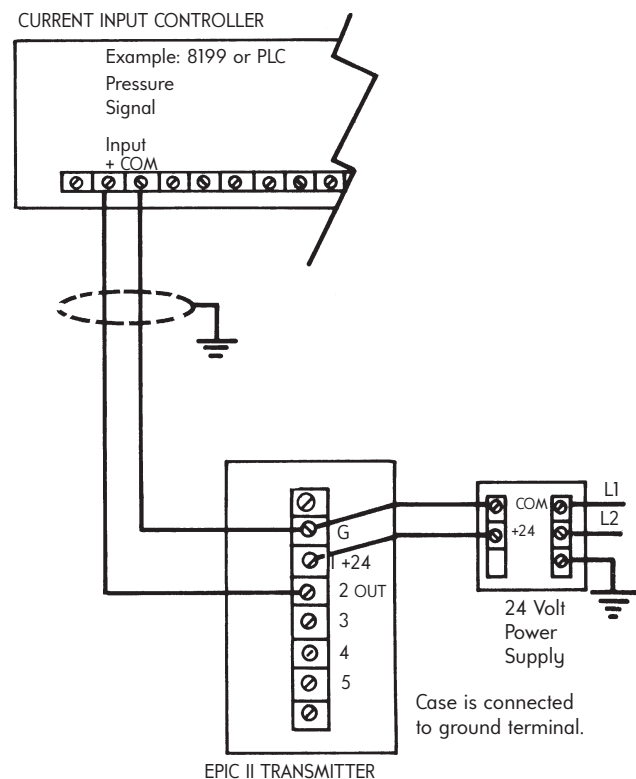
The 8351A-T Furnace Pressure Transmitter converts differential pressure signals to 4-20 mA output signals. Used in conjunction with a current input controller such as the 8199 or a PLC, it provides stable furnace pressure.

Controlling furnace pressure is generally used to maintain a slightly positive pressure, providing:

- improved product quality
- maintenance savings by preventing excessive fluing through cracks and doors
- elimination of cold air infiltration, preventing load cold spots
- prevention of furnace atmosphere contamination

The 8351A-T is available in five standard control ranges in inches wc. With the 8351-C EPIC II Controller, the transmitter forms a stable, highly sensitive pressure control system. It can be used to control furnace eductor, or duct pressure.

The 8760 series manifold blocks are options available for use with the 8351A-T. They provide in-line calibration capability.



## SPECIFICATIONS

**Operating Temperature Range:** 0-140 F (-18 to 60 C).

**Zero Drift:** Less than 2% of span per 100 F.

**Power Requirements:** 24 V dc at 75 mA max. (provided by 8351-C if used).

**Output:** 4-20 mA dc, 3 wire circuit into 650 ohm max. load.

**Size:** 9<sup>5</sup>/<sub>8</sub>" × 9" × 8<sup>1</sup>/<sub>2</sub>" overall (not including mounting brackets).

**Weight:** 22 lb.

**Case Material:** Cast Aluminum.

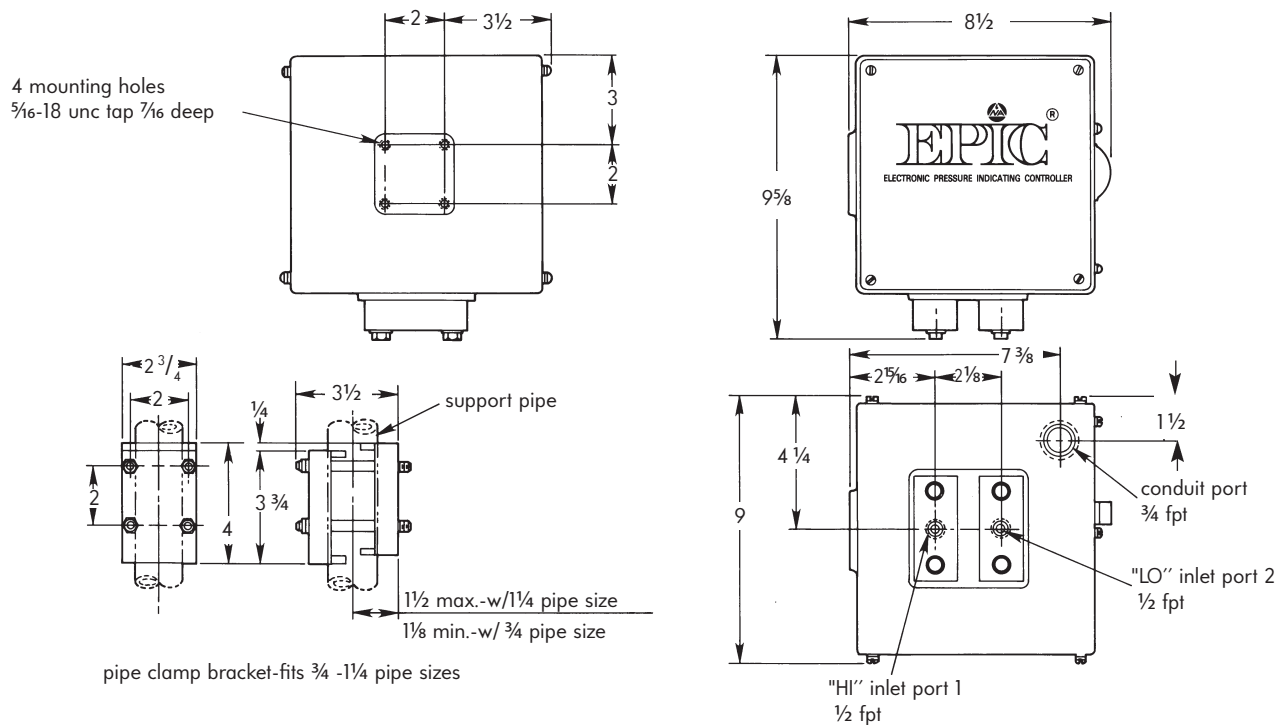
**Pressure Tap Size:** 1/2" fpt.

**Electrical Entrance Size:** 3/4" fpt.

**Max. Allowable Pressure:** Differential 1 psi; static 2 psi.

**Wet Cell Material:** Aluminum, stainless steel, Buna-N, gold.

## DIMENSIONS inches



### To order, specify:

- 8351A-T-(Specify 3rd term)
- 01: -0.05 to +0.15"wc (standard)
  - 02: 0 to +0.2"wc
  - 03: -0.05 to +0.3"wc
  - 04: -0.2 to +0.2"wc
  - 05: -0.3 to +0.3"wc
  - 06: custom range within maximum range of  $\pm 0.3$ "wc.

Example: 8351A-T-01 EPIC II Transmitter

DIMENSIONS SHOWN ARE SUBJECT TO CHANGE. PLEASE OBTAIN CERTIFIED PRINTS FROM FIVES NORTH AMERICAN COMBUSTION, INC. IF SPACE LIMITATIONS OR OTHER CONSIDERATIONS MAKE EXACT DIMENSION(S) CRITICAL.

**WARNING:** Situations dangerous to personnel and property may exist with the operation and maintenance of any combustion equipment. The presence of fuels, oxidants, hot and cold combustion products, hot surfaces, electrical power in control and ignition circuits, etc., are inherent with any combustion application. Parts of this product may exceed 160F in operation and present a contact hazard. Fives North American Combustion, Inc. urges compliance with National Safety Standards and Insurance Underwriters' recommendations, and care in operation.



**CONTACT US:**  
**Fives North American Combustion, Inc.**  
 4455 East 71st Street - Cleveland, OH 44105 - USA  
 Tel: +1 216 271 6000 - Fax: +1 216 373 4237  
 Email: fna.sales@fivesgroup.com

[www.fivesgroup.com](http://www.fivesgroup.com)