

## North American Filter-Silencers for 2300 and 2400 Blowers

Bulletin 2942

Ref: Bulletins 2923, 2936, 2921/41 and Sheet 2921-1

**2942** Filter-Silencers generally reduce inrush noise by half and remove 99% of dirt from inlet air to a blower.

Two types of filter elements are available:

An oil-wetted metal screen that can be cleaned and reused indefinitely (add suffix W).

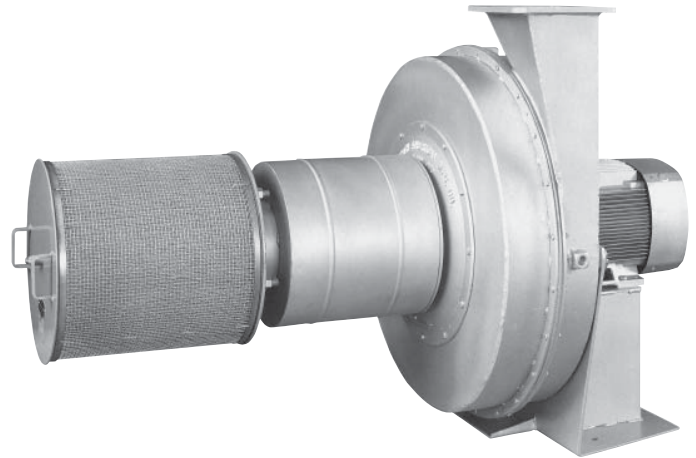
A paper element that normally can be reused 3-6 times, then is thrown away and replaced (add suffix T).

Assemblies allow field conversion from screen to paper style, or vice versa.

Where excessive dirt pickup could result from operating a blower without its filter even for a short time, keep a spare element on hand.

To minimize pressure drop, filter element should be inspected periodically and thoroughly cleaned or replaced when dirty.

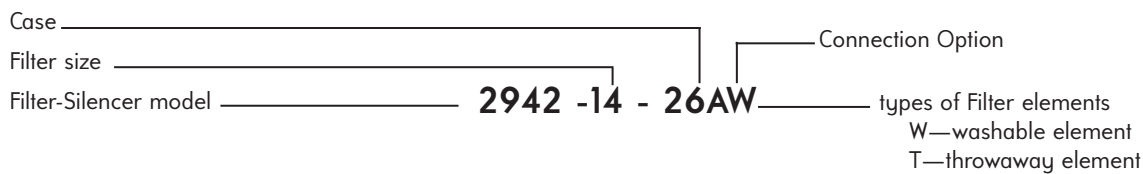
See Bulletin 2923 for further information on filters, including important operation and maintenance instructions. Bulletin 2936 describes in detail sound pressure attenuation achieved by silencers.



Larger sizes are combinations of standard 2923 Filters and modified 2936 Silencers. The 3" and 4" threaded connections are one-piece designs.

When ordering a complete filter add a suffix: W for the oil-wetted metal screen filter, or T for the paper throwaway model.

### Explanation of Filter-Silencer designations



To Order a Filter-Silencer, specify: (Complete designation) Filter-Silencer for (specify Blower designation).

**Examples:** 2942-22.5-FW Filter-Silencer for 2408-F15 Blower  
2942-30-33AT Filter-Silencer for 2316-33/1-30 Blower

**NOTE: Filter elements are not oiled as shipped.**

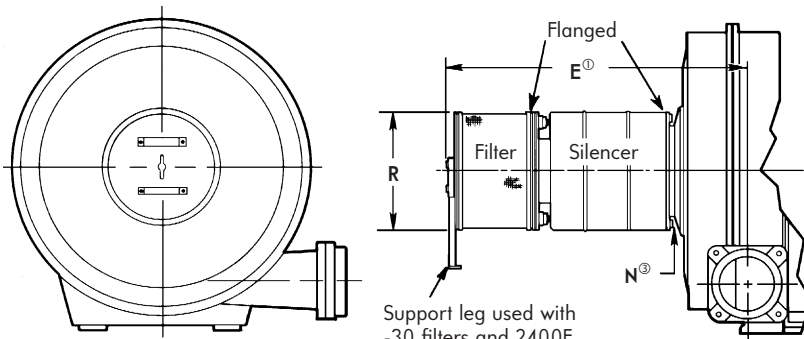
Blower designation	Filter-Silencer designation	dimensions in inches			Approximate weight in lb <sup>②</sup>
		E <sup>①</sup>	N <sup>③</sup>	R	
2304-11/1-__3	2942-8-11A	20 <sup>3</sup> / <sub>8</sub>	3	8 <sup>5</sup> / <sub>8</sub>	30
2304-44/1-__10	2942-30-44A	76	16	30 <sup>5</sup> / <sub>8</sub>	360
2308-11/3-__3	2942-8-11A	22 <sup>1</sup> / <sub>2</sub>	3	8 <sup>5</sup> / <sub>8</sub>	30
2308-14/1-__5, .75, 1	2942-8-14A	22 <sup>1</sup> / <sub>2</sub>	3	8 <sup>5</sup> / <sub>8</sub>	30
2308-17/1-__1	2942-8-17A	23 <sup>1</sup> / <sub>8</sub>	3	8 <sup>5</sup> / <sub>8</sub>	30
2308-17/1-__1.5	2942-10-17A	27 <sup>1</sup> / <sub>8</sub>	4	10 <sup>5</sup> / <sub>8</sub>	40
2308-24/1-__2	2942-10-24A	34 <sup>1</sup> / <sub>8</sub>	6	10 <sup>5</sup> / <sub>8</sub>	45
2308-24/1-__3	2942-12-24A	36 <sup>1</sup> / <sub>8</sub>	6	12 <sup>5</sup> / <sub>8</sub>	80
2308-31/1-__5, 7.5	2942-18-31A	42 <sup>3</sup> / <sub>8</sub>	8	18 <sup>5</sup> / <sub>8</sub>	130
2308-21/1-__10	2942-22-21A	51	10	22 <sup>5</sup> / <sub>8</sub>	180
2308-44/1-__10, 15	2942-30-44A	76	16	30 <sup>5</sup> / <sub>8</sub>	360
2408-D-__5D, 7.5D	2942-18-D	48	10	18 <sup>5</sup> / <sub>8</sub>	135
2408-F-__10D	2942-22-F	55	12	22 <sup>5</sup> / <sub>8</sub>	245
2408-F-__15D, 20D	2942-22.5-F	61	12	22 <sup>5</sup> / <sub>8</sub>	285
2310-11/4-__5	2942-8-11A	23 <sup>3</sup> / <sub>4</sub>	3	8 <sup>5</sup> / <sub>8</sub>	30
2310-19/1-__7.5, 1	2942-8-19A	22	3	8 <sup>5</sup> / <sub>8</sub>	30
2310-19/1-__1.5	2942-8-19B	22 <sup>1</sup> / <sub>2</sub>	4	8 <sup>5</sup> / <sub>8</sub>	35
2310-19/1-__2	2942-10-19A	26	4	10 <sup>5</sup> / <sub>8</sub>	40
2310-26/1-__3	2942-10-26A	34 <sup>1</sup> / <sub>8</sub>	6	10 <sup>5</sup> / <sub>8</sub>	45
2310-26/1-__5	2942-12-26A	36 <sup>1</sup> / <sub>8</sub>	6	12 <sup>5</sup> / <sub>8</sub>	80
2310-35/1-__7.5	2942-18-35A	41 <sup>3</sup> / <sub>4</sub>	8	18 <sup>5</sup> / <sub>8</sub>	130
2310-21/1-__10	2942-22-21A	51	10	22 <sup>5</sup> / <sub>8</sub>	180
2312-19/1-__1	2942-8-19A	22	3	8 <sup>5</sup> / <sub>8</sub>	30
2312-19/1-__1.5, 2	2942-8-19B	22 <sup>1</sup> / <sub>2</sub>	4	8 <sup>5</sup> / <sub>8</sub>	35
2312-26/1-__3	2942-10-26A	34 <sup>1</sup> / <sub>8</sub>	6	10 <sup>5</sup> / <sub>8</sub>	45
2312-26/1-__5	2942-14-26A	38 <sup>3</sup> / <sub>8</sub>	6	14 <sup>5</sup> / <sub>8</sub>	90
2312-35/1-__7.5, 10	2942-18-35A	41 <sup>3</sup> / <sub>4</sub>	8	18 <sup>5</sup> / <sub>8</sub>	130
2312-21/1-__15	2942-22-21B	56 <sup>3</sup> / <sub>4</sub>	14	22 <sup>5</sup> / <sub>8</sub>	220
2312-41/1-__20, 25	2942-30-41A	76 <sup>3</sup> / <sub>4</sub>	16	30 <sup>5</sup> / <sub>8</sub>	360
2412-D-__7.5D, 10D	2942-18-D	48	10	18 <sup>5</sup> / <sub>8</sub>	185
2412-F-__10D	2942-18-F	51	12	18 <sup>5</sup> / <sub>8</sub>	200
2412-F-__15D	2942-22-F	55	12	22 <sup>5</sup> / <sub>8</sub>	245
2412-F-__20D	2942-22.5-F	61	12	22 <sup>5</sup> / <sub>8</sub>	285
2316-14/2-__1, 1.5	2942-8-14A	24 <sup>3</sup> / <sub>8</sub>	3	8 <sup>5</sup> / <sub>8</sub>	30
2316-17/2-__1.5, 2	2942-8-17B	25	4	8 <sup>5</sup> / <sub>8</sub>	35
2316-19/1-__2	2942-8-19B	25	4	8 <sup>5</sup> / <sub>8</sub>	35
2316-19/1-__3	2942-10-19A	27 <sup>5</sup> / <sub>8</sub>	4	10 <sup>5</sup> / <sub>8</sub>	40
2316-26/1-__3	2942-8-26A	31 <sup>1</sup> / <sub>2</sub>	6	8 <sup>5</sup> / <sub>8</sub>	35
2316-17/2-__3	2942-10-17A	29	4	10 <sup>5</sup> / <sub>8</sub>	40
2316-24/2-__3, 5	2942-10-24A	37 <sup>5</sup> / <sub>8</sub>	6	10 <sup>5</sup> / <sub>8</sub>	45
2316-26/1-__5	2942-12-26A	36 <sup>1</sup> / <sub>8</sub>	6	12 <sup>5</sup> / <sub>8</sub>	80
2316-28/1-__5, 7.5	2942-14-28A	39 <sup>1</sup> / <sub>8</sub>	8	14 <sup>5</sup> / <sub>8</sub>	90
2316-26/1-__7.5	2942-14-26A	38 <sup>3</sup> / <sub>8</sub>	6	14 <sup>5</sup> / <sub>8</sub>	90
2316-31/2-__7.5	2942-14-31A	43	8	14 <sup>5</sup> / <sub>8</sub>	90
2316-31/2-__10	2942-18-31A	47	8	18 <sup>5</sup> / <sub>8</sub>	130
2316-35/1-__10, 15	2942-18-35B	43 <sup>3</sup> / <sub>8</sub>	8	18 <sup>5</sup> / <sub>8</sub>	130
2316-21/1-__15, 20	2942-22-21A	51	10	22 <sup>5</sup> / <sub>8</sub>	180
2316-33/1-__25	2942-22.5-33A	60 <sup>1</sup> / <sub>4</sub>	12	22 <sup>5</sup> / <sub>8</sub>	235
2316-33/1-__30	2942-30-33A	62 <sup>1</sup> / <sub>4</sub>	12	30 <sup>5</sup> / <sub>8</sub>	315
2316-41/1-__20, 25, 30	2942-30-41A	76 <sup>3</sup> / <sub>4</sub>	16	30 <sup>5</sup> / <sub>8</sub>	360

Blower designation	Filter-Silencer designation	dimensions in inches			Approximate weight in lb <sup>②</sup>
		E <sup>①</sup>	N <sup>③</sup>	R	
2416-D-__7.5D, 10D	2942-18-D	48	10	18 <sup>5</sup> / <sub>8</sub>	185
2416-F-__15D, 20D	2942-22-F	55	12	22 <sup>5</sup> / <sub>8</sub>	245
2416-F-__25D, 30D	2942-22.5-F	61	12	22 <sup>5</sup> / <sub>8</sub>	285
2320-19/2-__1.5	2942-8-19A	26	3	8 <sup>5</sup> / <sub>8</sub>	30
2320-19/2-__2, 3	2942-8-19B	26 <sup>5</sup> / <sub>8</sub>	4	8 <sup>5</sup> / <sub>8</sub>	35
2320-26/2-__5	2942-10-26A	37 <sup>1</sup> / <sub>8</sub>	6	10 <sup>5</sup> / <sub>8</sub>	45
2320-26/2-__7.5	2942-12-26A	39 <sup>1</sup> / <sub>8</sub>	6	12 <sup>5</sup> / <sub>8</sub>	80
2320-35/1-__10	2942-14-35B	39 <sup>1</sup> / <sub>4</sub>	8	14 <sup>5</sup> / <sub>8</sub>	90
2320-35/2-__10	2942-14-35A	42 <sup>1</sup> / <sub>2</sub>	8	14 <sup>5</sup> / <sub>8</sub>	90
2320-35/2-__15	2942-18-35A	46 <sup>5</sup> / <sub>8</sub>	8	18 <sup>5</sup> / <sub>8</sub>	130
2320-35/1-__15	2942-18-35B	43 <sup>3</sup> / <sub>8</sub>	8	18 <sup>5</sup> / <sub>8</sub>	130
2320-21/1-__15	2942-18-21A	47	10	18 <sup>5</sup> / <sub>8</sub>	135
2320-21/1-__20	2942-22-21A	51	10	22 <sup>5</sup> / <sub>8</sub>	180
2320-33/1-__25, 30	2942-22.5-33A	60	12	22 <sup>5</sup> / <sub>8</sub>	235
2320-33/1-__40	2942-30-33A	62	12	30 <sup>5</sup> / <sub>8</sub>	315
2320-41/1-__25, 30, 40	2942-30-41A	76 <sup>3</sup> / <sub>4</sub>	16	30 <sup>5</sup> / <sub>8</sub>	360
2420-F-__15D	2942-18-F	51	12	18 <sup>5</sup> / <sub>8</sub>	200
2420-F-__20D, 25D	2942-22-F	55	12	22 <sup>5</sup> / <sub>8</sub>	245
2420-F-__30D	2942-22.5-F	61	12	22 <sup>5</sup> / <sub>8</sub>	285
2324-14/3-__1.5, 2	2942-8-14A	27 <sup>1</sup> / <sub>2</sub>	3	8 <sup>5</sup> / <sub>8</sub>	30
2324-19/2-__3	2942-8-19B	26 <sup>5</sup> / <sub>8</sub>	4	8 <sup>5</sup> / <sub>8</sub>	35
2324-26/2-__5	2942-10-26A	37 <sup>1</sup> / <sub>8</sub>	6	10 <sup>5</sup> / <sub>8</sub>	45
2324-26/2-__7.5	2942-12-26A	39 <sup>1</sup> / <sub>8</sub>	6	12 <sup>5</sup> / <sub>8</sub>	80
2324-35/2-__10	2942-14-35A	42 <sup>1</sup> / <sub>2</sub>	8	14 <sup>5</sup> / <sub>8</sub>	90
2324-35/2-__15	2942-18-35A	46 <sup>5</sup> / <sub>8</sub>	8	18 <sup>5</sup> / <sub>8</sub>	130
2324-21/1-__20	2942-18-21A	46 <sup>5</sup> / <sub>8</sub>	10	18 <sup>5</sup> / <sub>8</sub>	135
2324-33/1-__25, 30	2942-22-33A	54	12	22 <sup>5</sup> / <sub>8</sub>	195
2324-41/1-__30, 40	2942-30-41A	76 <sup>3</sup> / <sub>4</sub>	16	30 <sup>5</sup> / <sub>8</sub>	360
2324-33/1-__40	2942-30-33A	62	12	30 <sup>5</sup> / <sub>8</sub>	315
2324-41/1-__50	2942-30-41A	76 <sup>3</sup> / <sub>4</sub>	16	30 <sup>5</sup> / <sub>8</sub>	360
2424-F-__20D	2942-18-F	51	12	18 <sup>5</sup> / <sub>8</sub>	200
2424-F-__25D, 30D	2942-22-F	55	12	22 <sup>5</sup> / <sub>8</sub>	245
2332-19/3-__3, 5	2942-8-19B	29 <sup>7</sup> / <sub>8</sub>	4	8 <sup>5</sup> / <sub>8</sub>	35
2332-28/2-__7.5, 10, 15	2942-14-28A	44	8	14 <sup>5</sup> / <sub>8</sub>	90
2332-21/2-__20, 25, 30	2942-18-21A	52	10	18 <sup>5</sup> / <sub>8</sub>	135
2332-21/2-__40	2942-22-21A	56	10	22 <sup>5</sup> / <sub>8</sub>	180
2332-33/2-__50	2942-22.5-33A	66 <sup>1</sup> / <sub>4</sub>	12	22 <sup>5</sup> / <sub>8</sub>	235
2332-33/2-__60	2942-30-33A	68 <sup>1</sup> / <sub>4</sub>	12	30 <sup>5</sup> / <sub>8</sub>	315
2332-41/2-__75	2942-30-41A	88	16	30 <sup>5</sup> / <sub>8</sub>	360
2338-41/2-__75	2942-30-41A	88	16	30 <sup>5</sup> / <sub>8</sub>	360
2344-28/3-__15, 20	2942-14-28A	49 <sup>1</sup> / <sub>2</sub>	8	14 <sup>5</sup> / <sub>8</sub>	90
2344-21/2-__30, 40	2942-18-21A	53 <sup>3</sup> / <sub>8</sub>	10	18 <sup>5</sup> / <sub>8</sub>	135
2344-21/2-__50	2942-22-21A	57 <sup>3</sup> / <sub>8</sub>	10	22 <sup>5</sup> / <sub>8</sub>	180

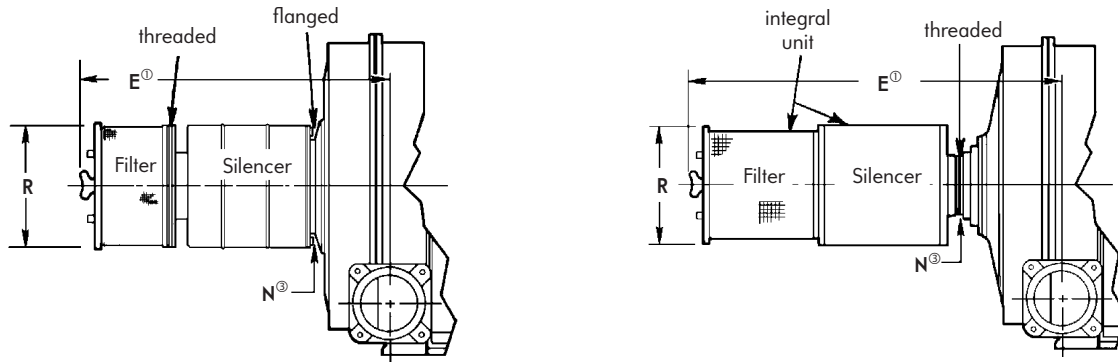
① When installing blower, allow sufficient space beyond filter for removal for cleaning.

② Approximate weight includes filter-silencer, W type, and flange.

③ N dimension on 3" and 4" adapters indicates nominal threaded pipe size. 6" and larger adapters have a flanged connection.



Representative of all units except threaded connections



screen element



base with stem



assembled filter

Filter size	Element designation for/W	Wt, lb	Element designation for/T	Wt, lb	Capacity cfm	element dimensions (inches)		
						OD	ID	height
8	R260-2160	4½	R260-2900	2¾	400	8½	4½ <sup>15</sup> / <sub>16</sub>	8½
10	R260-2240	7¾	R260-2910	4½	700	10½	6½ <sup>15</sup> / <sub>16</sub>	10½
12	R260-2300	10	R260-2920	6	1000	12½	8 <sup>3</sup> / <sub>16</sub>	12½
14	R260-2360	17½	R260-2930	9¾	1350	14½	8 <sup>3</sup> / <sub>16</sub>	14½
18	R260-2420	28	R260-2940	14½	2250	18½	12 <sup>15</sup> / <sub>16</sub>	18½
22	R260-2500	39½	R260-2950	23	3250	22½	16 <sup>15</sup> / <sub>16</sub>	22½
22.5	R260-2580	48½	R260-2960	28	4000	22½	16 <sup>15</sup> / <sub>16</sub>	28½
30	R260-2640	62	R260-2970	47	6000	30½	25¾	30½

① When installing blower, allow sufficient space beyond filter for removal for cleaning.

③ N dimension on 3" and 4" adapters indicates nominal threaded pipe size. 6" and larger adapters have a flanged connection.

DIMENSIONS SHOWN ARE SUBJECT TO CHANGE. PLEASE OBTAIN CERTIFIED PRINTS FROM FIVES NORTH AMERICAN COMBUSTION, INC. IF SPACE LIMITATIONS OR OTHER CONSIDERATIONS MAKE EXACT DIMENSION(S) CRITICAL.

**WARNING:** Situations dangerous to personnel and property may exist with the operation and maintenance of any combustion equipment. The presence of fuels, oxidants, hot and cold combustion products, hot surfaces, electrical power in control and ignition circuits, etc., are inherent with any combustion application. Parts of this product may exceed 160F in operation and present a contact hazard. Fives North American Combustion, Inc. urges compliance with National Safety Standards and Insurance Underwriters' recommendations, and care in operation.



**CONTACT US:**  
Fives North American Combustion, Inc.  
4455 East 71st Street - Cleveland, OH 44105 - USA  
Tel: +1 216 271 6000 - Fax: +1 216 373 4237  
Email: [fna.sales@fivesgroup.com](mailto:fna.sales@fivesgroup.com)

[www.fivesgroup.com](http://www.fivesgroup.com)