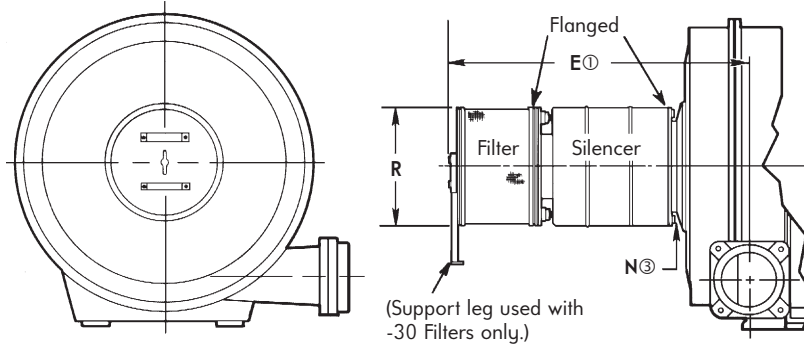


North American Filter-Silencers for Series 2300 Direct Drive 50 hertz Turbo Blowers

Sheet 2942-1

Ref: Bulletins 2923, 2942

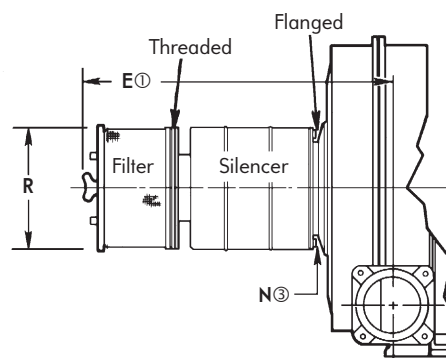
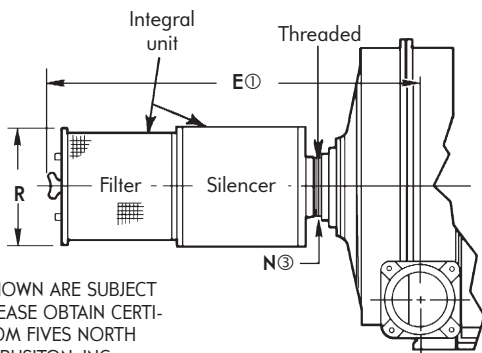


Representative of all units except: the threaded connections. (See Back)

For dimensions and data on filter elements refer to Bulletin 2923, page 4.

Blower Designation	Filter-Silencer Designation ^④	Dimensions in inches			Approximate weight in lb ^②
		E ^①	N ^③	R	
23055-11/3—3D	2942-8-11A	22½	3	8%	30
23055-14/1—5D	2942-8-14A	22¾	3	8%	30
23055-17/1—.75D	2942-8-17B	25%	4	8%	35
23055-17/1—1D	2942-8-17B	25%	4	8%	35
23055-24/1—1.5D	2942-10-24A	34%	6	10%	45
23055-24/1—2D	2942-12-24A	36%	6	12%	80
23055-31/1—3D	2942-14-31A	38¼	8	14%	90
23055-21/1—5D	2942-18-21A	47	10	18%	135
23055-44/1—7.5D	2942-30-44A	76	16	30%	360
23055-44/1—10D	2942-30-44A	76	16	30%	360
23055-44/1—15D	2942-30-44A	76	16	30%	360
2307-11/4—3D	2942-8-11A	23¾	3	8%	30
2307-19/1—.75D	2942-8-19A	22	3	8%	30
2307-19/1—1D	2942-8-19A	22	3	8%	30
2307-26/1—1.5D	2942-8-26A	31½	6	8%	35
2307-26/1—2D	2942-10-26A	34%	6	10%	45
2307-26/1—3D	2942-12-26A	36%	6	12%	80
23085-11/4—3D	2942-8-11A	23¾	3	8%	30
23085-19/1—.75D	2942-8-19A	22	3	8%	30
23085-19/1—1D	2942-8-19A	22	3	8%	30
23085-26/1—1.5D	2942-8-26A	31½	6	8%	35
23085-26/1—2D	2942-10-26A	34%	6	10%	45
23085-26/1—3D	2942-12-26A	36%	6	12%	80
23085-35/1—5D	2942-18-35A	41¾	8	18%	130
23085-21/1—7.5D	2942-22-21B	56¾	14	22%	220
23085-21/1—10D	2942-22-21B	56¾	14	22%	220
23085-41/1—15D	2942-30-41A	76¾	16	30%	360
23085-41/1—20D	2942-30-41A	76¾	16	30%	360
2311-14/2—.5D	2942-8-14A	24¾	3	8%	30
2311-14/2—.75D	2942-8-14A	24¾	3	8%	30
2311-17/2—1D	2942-8-17B	25	4	8%	35
2311-17/2—1.5D	2942-8-17B	25	4	8%	35
2311-26/1—2D	2942-8-26A	31½	6	8%	35
2311-26/1—3D	2942-10-26A	34%	6	10%	45
2311-26/1—5D	2942-12-26A	36%	6	12%	80
2311-35/1—7.5D	2942-18-35B	43¾	8	18%	130
2311-35/1—10D	2942-18-35B	43¾	8	18%	130
2311-33/1—15D	2942-22-33A	54¼	12	22%	195
2311-33/1—20D	2942-22.5-33A	60¼	12	22%	235
2311-41/1—25D	2942-30-41A	76¾	16	30%	360

Footnotes on page 2.



DIMENSIONS SHOWN ARE SUBJECT TO CHANGE. PLEASE OBTAIN CERTIFIED PRINTS FROM FIVES NORTH AMERICAN COMBUSTION, INC. IF SPACE LIMITATIONS OR OTHER CONSIDERATIONS MAKE EXACT DIMENSION(S) CRITICAL.

For dimensions and data on filter elements refer to Bulletin 2923, page 4.

Blower Designation	Filter-Silencer Designation④	Dimensions in inches			Approximate weight in lb②
		E①	N③	R	
2314-19/2—1.5D	2942-8-19A	26	3	8 ⁵ / ₈	30
2314-26/2—2D	2942-8-26A	34 ¹ / ₂	6	8 ⁵ / ₈	35
2314-26/2—3D	2942-10-26A	37 ⁷ / ₈	6	10 ⁵ / ₈	45
2314-26/2—5D	2942-10-26A	37 ⁷ / ₈	6	10 ⁵ / ₈	45
2314-35/1—7.5D	2942-14-35B	39 ¹ / ₄	8	14 ⁵ / ₈	90
2314-35/1—10D	2942-18-35B	46 ⁵ / ₈	8	18 ⁵ / ₈	130
2314-21/1—15D	2942-18-21A	47	10	18 ⁵ / ₈	135
2314-33/1—20D	2942-22.5-33A	60	12	22 ⁵ / ₈	235
2314-33/1—25D	2942-30-33A	62	12	30 ⁵ / ₈	315
2314-33/1—30D	2942-30-33A	62	12	30 ⁵ / ₈	315
23165-14/3—1.5D	2942-8-14A	27 ¹ / ₂	3	8 ⁵ / ₈	30
23165-19/2—2D	2942-8-19B	26	4	8 ⁵ / ₈	35
23165-26/2—3D	2942-8-26A	34 ¹ / ₂	6	8 ⁵ / ₈	35
23165-26/2—5D	2942-10-26A	37 ⁷ / ₈	6	10 ⁵ / ₈	45
23165-35/2—7.5D	2942-14-35A	42 ¹ / ₂	8	14 ⁵ / ₈	90
23165-35/2—10D	2942-14-35A	42 ¹ / ₂	8	14 ⁵ / ₈	90
23165-21/1—15D	2942-18-21A	46 ⁵ / ₈	10	18 ⁵ / ₈	135
23165-33/1—20D	2942-22-33A	54	12	22 ⁵ / ₈	195
23165-33/1—25D	2942-22.5-33A	60	12	22 ⁵ / ₈	235
23165-33/1—30D	2942-30-33A	62	12	30 ⁵ / ₈	315
2322-19/3—3D	2942-8-19B	29 ⁷ / ₈	4	8 ⁵ / ₈	35
2322-19/3—5D	2942-8-19B	29 ⁷ / ₈	4	8 ⁵ / ₈	35
2322-28/2—7.5D	2942-14-28A	44	8	14 ⁵ / ₈	90
2322-28/2—10D	2942-14-28A	44	8	14 ⁵ / ₈	90
2322-21/2—15D	2942-18-21A	52	10	18 ⁵ / ₈	135
2322-21/2—20D	2942-18-21A	52	10	18 ⁵ / ₈	135
2322-21/2—25D	2942-18-21A	52	10	18 ⁵ / ₈	135
2322-33/2—30D	2942-22-33A	60 ¹ / ₄	12	22 ⁵ / ₈	195
23305-21/2—20D	2942-18-21A	53 ³ / ₈	10	18 ⁵ / ₈	135
23305-21/2—25D	2942-18-21A	53 ³ / ₈	10	18 ⁵ / ₈	135
23305-21/2—30D	2942-18-21A	53 ³ / ₈	10	18 ⁵ / ₈	135

- ① When installing blower, allow sufficient space beyond filter for removal for cleaning.
- ② Approximate weight includes filter-silencer and flange.
- ③ N dimension on 3" and 4" adapters indicates nominal threaded pipe size. 6" and larger adapters have a flanged connection.
- ④ When ordering a filter-silencer add a suffix: W for the oil-wetted metal screen filter, or T for the paper (throwaway) models.

WARNING: Situations dangerous to personnel and property may exist with the operation and maintenance of any combustion equipment. The presence of fuels, oxidants, hot and cold combustion products, hot surfaces, electrical power in control and ignition circuits, etc., are inherent with any combustion application. Parts of this product may exceed 160F in operation and present a contact hazard. Fives North American Combustion, Inc. urges compliance with National Safety Standards and Insurance Underwriters' recommendations, and care in operation.



CONTACT US:
Fives North American Combustion, Inc.
 4455 East 71st Street - Cleveland, OH 44105 - USA
 Tel: +1 216 271 6000 - Fax: +1 216 373 4237
 Email: fna.sales@fivesgroup.com

www.fivesgroup.com