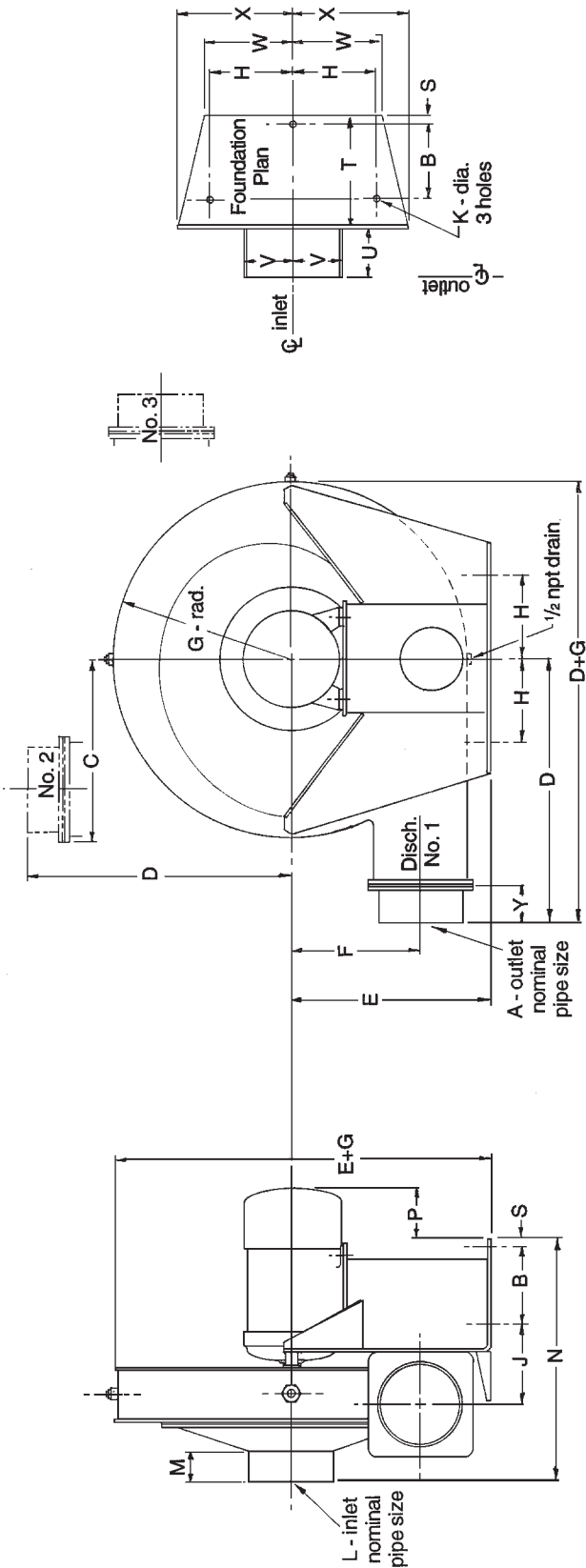


North American Hot Air Blowers - 2600 Series

Dimensions in inches

Dimensions 2600

(Dimensions shown apply only to blowers with T-frame motors. Consult North American for dimensions of blowers with other motors.)

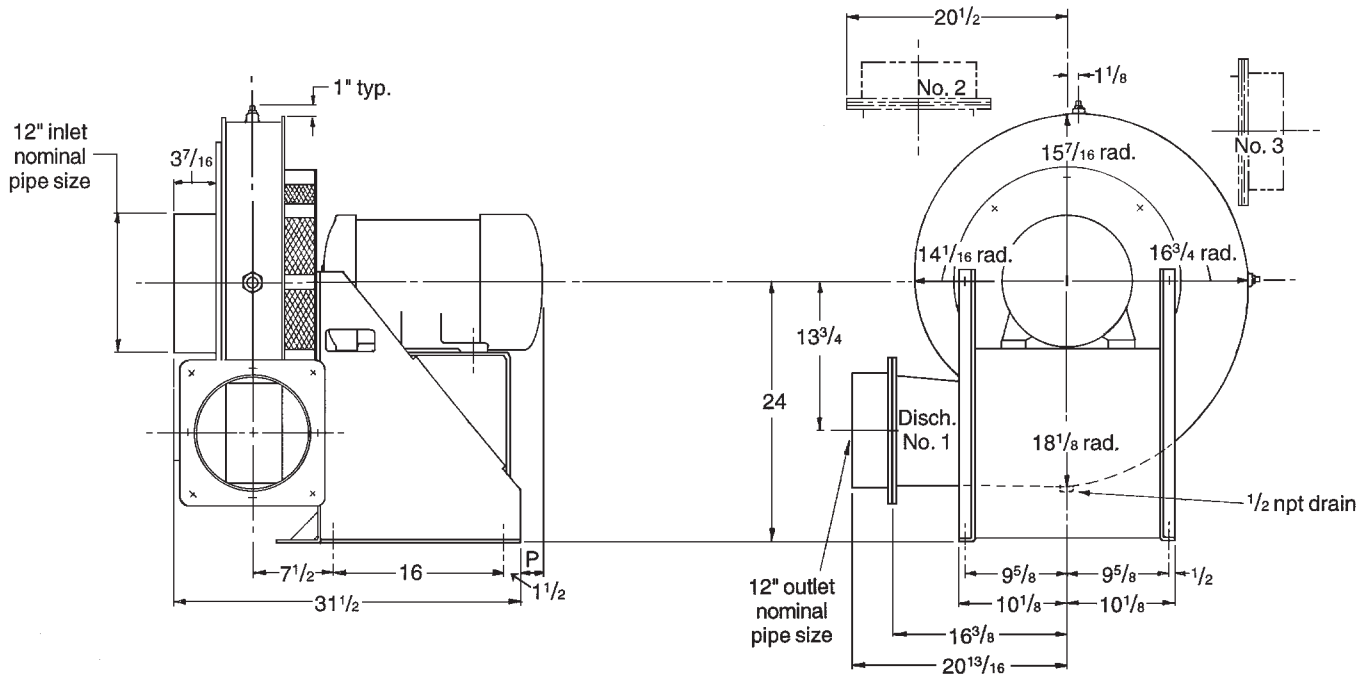


DIMENSIONS SHOWN ARE SUBJECT TO CHANGE. PLEASE OBTAIN CERTIFIED PRINTS FROM FIVES NORTH AMERICAN COMBUSTION, INC. IF SPACE LIMITATIONS OR OTHER CONSIDERATIONS MAKE EXACT DIMENSIONS CRITICAL.

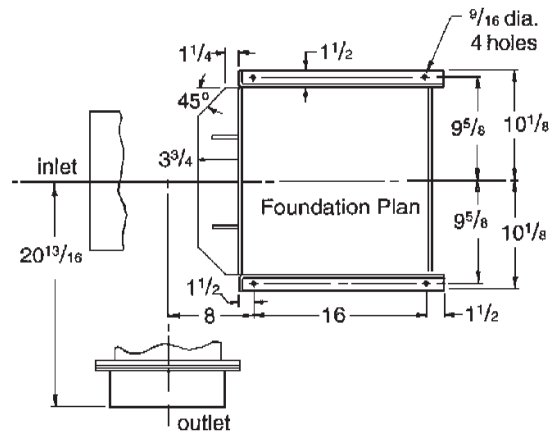
Blower designation†	A	B	C	D	E	F	G	H	J	K	L	M	N	P	D+G	E+G	S	T	U	V	W	X	Y
2616-19/1-3/3	6	6 1/4	14 1/2	22 1/2	15	10 3/4	13 3/4	6 1/4	5 1/2	3 1/4	4	4	19 1/8	1 1/2	35 5/8	28 1/2	13 1/2	9 1/4	3 1/2	4	5	8 1/2	4 13/16
2616-26/1-5/5	6	6 3/4	15 1/2	17 13/16	16 1/2	11 1/4	14 13/16	7	8 1/2	3 1/4	4	3 5/8	25 3/8	2 1/2	32 5/8	31 1/2	13 1/2	10	4	5	7	10 5/8	5 1/2
2616-35/1-10/10	8	7 1/4	18 1/4	26 1/8	20 3/8	13 3/8	18 1/8	8 1/2	11 1/2	3 1/4	8	3	27 1/4	3 1/2	45	38 1/2	13 1/2	11 1/2	5	5	9	12 1/4	3 3/8
2616-35/1-15/15	10	9	18 1/4	26 1/8	20 3/8	13 3/8	18 1/8	9 1/2	12 1/2	3 1/4	8	3	28 1/4	2 1/2	45	38 1/2	13 1/2	11 1/2	5	5	10	13 1/4	3 3/8
2616-33/1-25/25	12	10	26 1/2	40 1/2	34 1/2	17 5/8	24 1/2	10	12 1/2	7 1/8	12	3 3/4	36 7/8	4 3/8	65	59 1/2	13 1/2	18 13/16	8	10	9 1/2	15 5/8	6 1/2
2616-33/1-30/30	14	13 1/16	26 1/2	40 1/2	34 1/2	17 5/8	24 1/2	10	12 1/2	7 1/8	12	3 3/4	36 7/8	4 3/8	65	59 1/2	13 1/2	18 13/16	8	10	9 1/2	15 5/8	6 1/2
2620-19/2-3/3	4	6 1/4	13 1/2	18 13/16	16 1/2	10 3/4	13 3/4	6 1/4	5 1/2	3 1/4	4	4	23 1/2	1 1/2	32 1/2	28 1/2	13 1/2	9 1/4	3 1/2	4	6	8 1/2	4 13/16
2620-26/2-5/5	6	5 1/4	15 1/2	17 13/16	16 1/2	11 1/4	14 13/16	7	8 1/2	3 1/4	6	3 5/8	25 3/8	2 1/2	32 5/8	31 1/2	13 1/2	10	4	5	7	10 5/8	5 1/2
2620-26/2-7/7.5	6	5 1/4	15 5/8	17 13/16	16 1/4	11 1/2	14 13/16	7	8 1/2	3 1/4	6	3 5/8	25 3/8	2 1/2	32 5/8	31 1/2	13 1/2	10	4	5	7	10 5/8	5 1/2
2620-35/1-10/10	8	7 3/4	18 1/4	26 1/8	20 3/8	13 3/8	18 1/8	8 1/2	11 1/2	3 1/4	8	3	27 1/4	2 1/2	45	38 1/2	13 1/2	11 1/2	5	5	9	12 1/4	3 3/8
2620-35/1-15/15	8	9	18 1/4	26 1/8	20 3/8	13 3/8	18 1/8	9 1/2	12 1/2	3 1/4	8	3	28 1/4	2 1/2	45	38 1/2	13 1/2	11 1/2	5	5	10	13 1/4	3 3/8
2620-33/1-25/25	12	13 1/16	26 1/2	40 1/2	34 1/2	17 5/8	24 1/2	10	12 1/2	7 1/8	12	3 3/4	36 7/8	4 3/8	65	59 1/2	13 1/2	18 13/16	8	10	9 1/2	15 5/8	6 1/2
2620-33/1-30/30	12	13 1/16	26 1/2	40 1/2	34 1/2	17 5/8	24 1/2	10	12 1/2	7 1/8	12	3 3/4	36 7/8	4 3/8	65	59 1/2	13 1/2	18 13/16	8	10	9 1/2	15 5/8	6 1/2
2620-33/1-40/40	14	15 1/16	26 1/2	40 1/2	34 1/2	17 5/8	24 1/2	10	12 1/2	7 1/8	12	3 3/4	36 7/8	4 3/8	65	59 1/2	13 1/2	18 13/16	8	10	9 1/2	15 5/8	6 1/2
2620-33/1-50/50	14	15 1/16	26 1/2	40 1/2	34 1/2	17 5/8	24 1/2	10	12 1/2	7 1/8	12	3 3/4	36 7/8	4 3/8	65	59 1/2	13 1/2	18 13/16	8	10	9 1/2	15 5/8	6 1/2
2620-33/1-60/60	14	15 1/16	26 1/2	40 1/2	34 1/2	17 5/8	24 1/2	10	12 1/2	7 1/8	12	3 3/4	36 7/8	4 3/8	65	59 1/2	13 1/2	18 13/16	8	10	9 1/2	15 5/8	6 1/2
2624-19/2-3/3	4	6 1/4	13 1/2	18 13/16	15	10 3/4	13 3/4	6 1/4	5 1/2	3 1/4	4	4	23 1/2	1 1/2	28 1/2	28 1/2	13 1/2	9 1/4	3 1/2	4	6	8 1/2	4 13/16
2624-26/2-5/5	6	5 1/4	15 1/2	17 13/16	16 1/4	11 1/2	14 13/16	7	8 1/2	3 1/4	6	3 5/8	25 3/8	2 1/2	32 5/8	31 1/2	13 1/2	10	4	5	7	10 5/8	5 1/2
2624-26/2-7/7.5	6	5 1/4	15 5/8	17 13/16	16 1/4	11 1/2	14 13/16	7	8 1/2	3 1/4	6	3 5/8	25 3/8	2 1/2	32 5/8	31 1/2	13 1/2	10	4	5	7	10 5/8	5 1/2
2624-26/2-10/10	8	7 3/4	18 1/4	26 1/8	20 3/8	13 3/8	18 1/8	8 1/2	11 1/2	3 1/4	8	3	27 1/4	2 1/2	45	38 1/2	13 1/2	11 1/2	5	5	9	12 1/4	3 3/8
2624-26/2-15/15	8	9	18 1/4	26 1/8	20 3/8	13 3/8	18 1/8	9 1/2	12 1/2	3 1/4	8	3	28 1/4	2 1/2	45	38 1/2	13 1/2	11 1/2	5	5	10	13 1/4	3 3/8
2620-33/1-25/25	12	13 1/16	26 1/2	40 1/2	34 1/2	17 5/8	24 1/2	10	12 1/2	7 1/8	12	3 3/4	36 7/8	4 3/8	65	59 1/2	13 1/2	18 13/16	8	10	9 1/2	15 5/8	6 1/2
2620-33/1-30/30	12	13 1/16	26 1/2	40 1/2	34 1/2	17 5/8	24 1/2	10	12 1/2	7 1/8	12	3 3/4	36 7/8	4 3/8	65	59 1/2	13 1/2	18 13/16	8	10	9 1/2	15 5/8	6 1/2
2620-33/1-40/40	14	15 1/16	26 1/2	40 1/2	34 1/2	17 5/8	24 1/2	10	12 1/2	7 1/8	12	3 3/4	36 7/8	4 3/8	65	59 1/2	13 1/2	18 13/16	8	10	9 1/2	15 5/8	6 1/2
2620-33/1-50/50	14	15 1/16	26 1/2	40 1/2	34 1/2	17 5/8	24 1/2	10	12 1/2	7 1/8	12	3 3/4	36 7/8	4 3/8	65	59 1/2	13 1/2	18 13/16	8	10	9 1/2	15 5/8	6 1/2
2620-33/1-60/60	14	15 1/16	26 1/2	40 1/2	34 1/2	17 5/8	24 1/2	10	12 1/2	7 1/8	12	3 3/4	36 7/8	4 3/8	65	59 1/2	13 1/2	18 13/16	8	10	9 1/2	15 5/8	6 1/2
2624-19/2-3/3	4	6 1/4	13 1/2	18 13/16	15	10 3/4	13 3/4	6 1/4	5 1/2	3 1/4	4	4	23 1/2	1 1/2	28 1/2	28 1/2	13 1/2	9 1/4	3 1/2	4	6	8 1/2	4 13/16
2624-26/2-5/5	6	5 1/4	15 1/2	17 13/16	16 1/4	11 1/2	14 13/16	7	8 1/2	3 1/4	6	3 5/8	25 3/8	2 1/2	32 5/8	31 1/2	13 1/2	10	4	5	7	10 5/8	5 1/2
2624-26/2-7/7.5	6	5 1/4	15 5/8	17 13/16	16 1/4	11 1/2	14 13/16	7	8 1/2	3 1/4	6	3 5/8	25 3/8	2 1/2	32 5/8	31 1/2	13 1/2	10	4	5	7	10 5/8	5 1/2
2624-26/2-10/10	8	7 3/4	18 1/4	26 1/8	20 3/8	13 3/8	18 1/8	8 1/2	11 1/2	3 1/4	8	3	27 1/4	2 1/2	45	38 1/2	13 1/2	11 1/2	5	5	9	12 1/4	3 3/8
2624-26/2-15/15	8	9	18 1/4	26 1/8	20 3/8	13 3/8	18 1/8	9 1/2	12 1/2	3 1/4	8	3	28 1/4	2 1/2	45	38 1/2	13 1/2	11 1/2	5	5	10	13 1/4	3 3/8
2624-33/1-30/30	12	13 1/16	26 1/2	40 1/2	34 1/2	17 5/8	24 1/2	10	12 1/2	7 1/8	12	3 3/4	36 7/8	4 3/8	65	59 1/2	13 1/2	18 13/16	8	10	9 1/2	15 5/8	6 1/2
2624-33/1-40/40	12	13 1/16	26 1/2	40 1/2	34 1/2	17 5/8	24 1/2	10	12 1/2	7 1/8	12	3 3/4	36 7/8	4 3/8	65	59 1/2	13 1/2	18 13/16	8	10	9 1/2	15 5/8	6 1/2
2624-33/1-50/50	14	15 1/16	26 1/2	40 1/2	34 1/2	17 5/8	24 1/2	10	12 1/2	7 1/8	12	3 3/4	36 7/8	4 3/8	65	59 1/2	13 1/2	18 13/16	8	10	9 1/2	15 5/8	6 1/2
2624-33/1-60/60	14	15 1/16	26 1/2	40 1/2	34 1/2	17 5/8	24 1/2	10	12 1/2	7 1/8	12	3 3/4	36 7/8	4 3/8	65	59 1/2	13 1/2	18 13/16	8	10	9 1/2	15 5/8	6 1/2
2632-21/2-25/25	8	12 1/2	20 3/8	29 1/2	25 1/2	13 3/8	19 1/2	10 1/2	11 1/2	7 1/4	10	4	37 1/2	1/2	49 1/2	45 1/2	13 1/2	18 1/2	6	7	11	16	6 1/2
2632-33/2-50/50	8	15 1/2	26 1/8	40 7/8	34 1/2	17 5/8	24 1/2	10 1/2	12 1/2	7 1/4	10	4	41 3/4	4 1/2	59 1/2	59 1/2	13 1/2	20 7/8	6	7	11	16	6 1/2
2644-21/2-50/50	8	12 1/2	20 3/8	29 1/2	25 1/2	13 3/8	19 1/2	10 1/2	11 1/2	7 1/4	10	4	39 1/4	4 3/8	49 3/4	45 1/4	13 1/2	18 1/2	6	6	10	13 1/2	4 1/2

†Explanation of designation: 2616-35/1-15/15 means Series 2600, 16 psi pressure, inner housing no. 35, 1 stage, 15 hp motor, direct drive. Number 4 discharge position, straight down, can be furnished on special order, a notch having to be cut out of the base at time of assembly. Single width inlet and discharge are standard.

Dimensions (in inches) of 2600-F Series Hot Air Blowers



Blower	P
2616-F-15/15	1 1/4
2616-F-20/20	3
2616-F-25/25	4 1/4
2616-F-30/30	5 3/4
2620-F-15/15	1 1/4
2620-F-20/20	3
2620-F-25/25	4 1/4
2620-F-30/30	5 3/4
2624-F-20/20	3
2624-F-25/25	4 1/4
2624-F-30/30	5 3/4



DIMENSIONS SHOWN ARE SUBJECT TO CHANGE. PLEASE OBTAIN CERTIFIED PRINTS FROM FIVES NORTH AMERICAN COMBUSTION, INC. IF SPACE LIMITATIONS OR OTHER CONSIDERATIONS MAKE EXACT DIMENSION(S) CRITICAL.

WARNING: Situations dangerous to personnel and property may exist with the operation and maintenance of any combustion equipment. The presence of fuels, oxidants, hot and cold combustion products, hot surfaces, electrical power in control and ignition circuits, etc., is inherent with any combustion application. Parts of this product may exceed 160F in operation and present a contact hazard. Fives North American Combustion, Inc. urges compliance with National Safety Standards and Insurance Underwriters' recommendations, and care in operation.



CONTACT US:
Fives North American Combustion, Inc.
 4455 East 71st Street - Cleveland, OH 44105 - USA
 Tel: +1 216 271 6000 - Fax: +1 216 373 4237
 Email: fna.sales@fivesgroup.com

www.fivesgroup.com