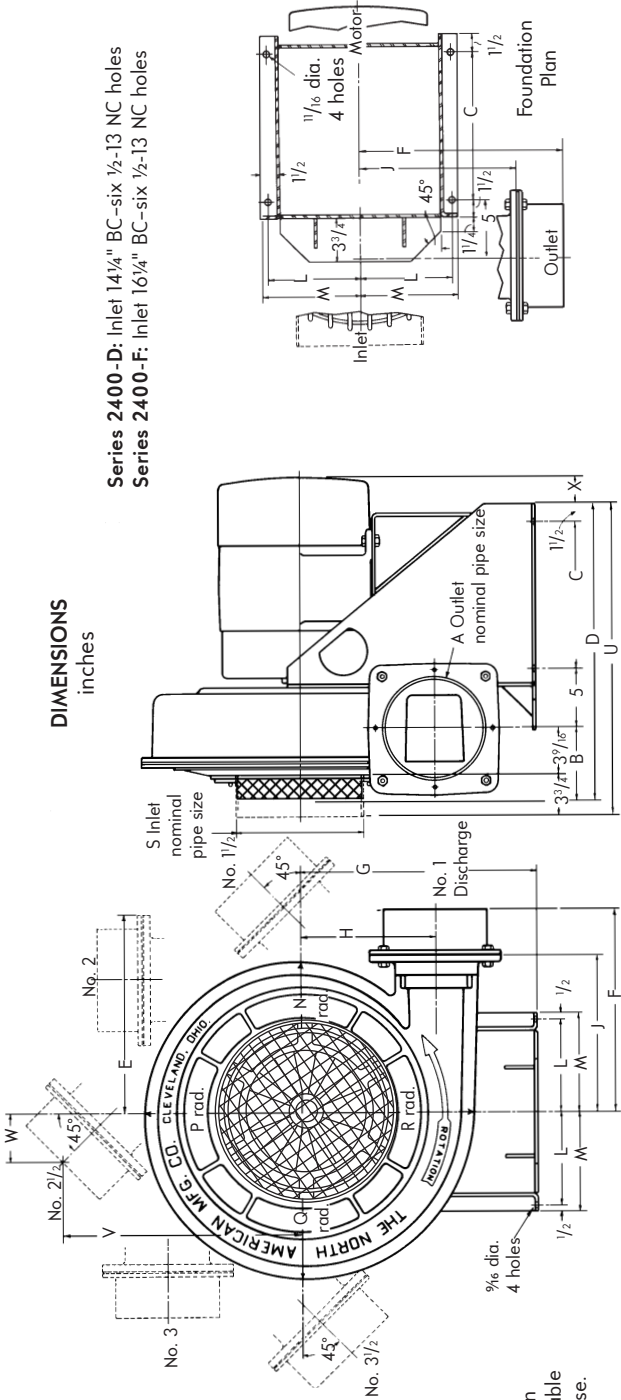


# North American 2400 Turbo Blowers

Dimensions 2400



Series 2400-D: Inlet 1 1/4" BC—six 1/2-13 NC holes  
Series 2400-F: Inlet 1 1/4" BC—six 1/2-13 NC holes

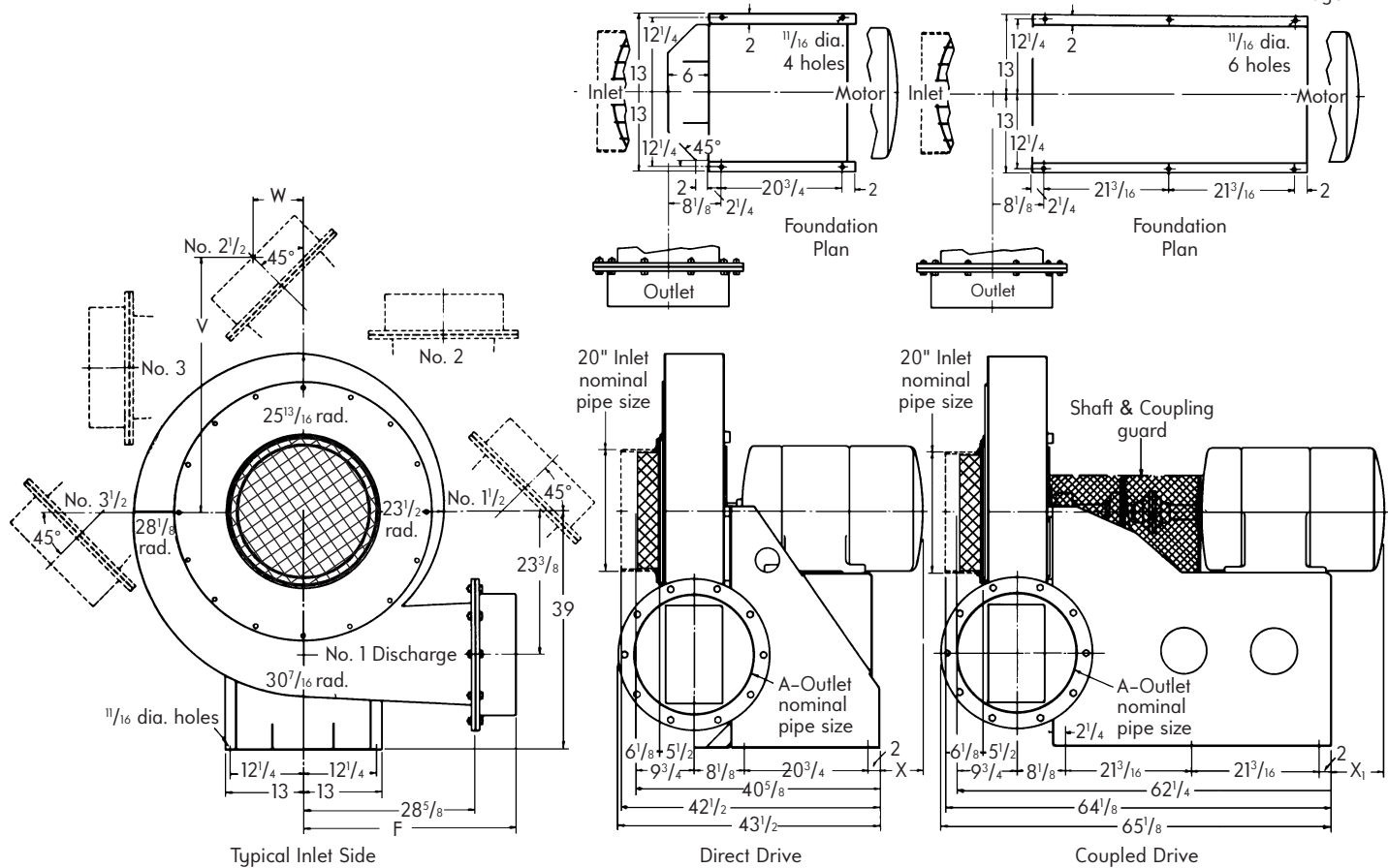
DIMENSIONS SHOWN ARE SUBJECT TO CHANGE. PLEASE OBTAIN CERTIFIED PRINTS FROM FIVES NORTH AMERICAN COMBUSTION, INC. IF SPACE LIMITATIONS OR OTHER CONSIDERATIONS MAKE EXACT DIMENSION(S) CRITICAL.

Blower Designation	Dimensions in inches																				Approx. wt. lb		
	A	B	C	D	E	F	G	H	I	J	K	L	M	N	P	Q	R	S	U	V		W	X
2408-D_5D	10	5 3/4	12 1/2	24 3/4	16 25/32	25 13/16	20	11 13/32	13 3/8	7 1/8	8 3/8	12 13/16	13 7/16	14 1/16	14 1/16	14 1/16	14 1/16	10	26 5/16	19 29/32	3 13/16	-	240
2408-D_7.5D	10	5 3/4	12 1/2	24 3/4	16 25/32	25 13/16	20	11 13/32	13 3/8	7 1/8	8 3/8	12 13/16	13 7/16	14 1/16	14 1/16	14 1/16	14 1/16	10	26 5/16	19 29/32	3 13/16	-	260
2408-F_10D	12†	6 3/4	16	29 1/4	20 1/2	29 13/16	24	13 3/4	16 3/8	9 5/8	10 1/8	14 7/8	16 1/4	17 5/8	19	17 5/8	19	12	29 13/16	24 7/16	5 1/32	-	395
2408-F_15D	12†	6 3/4	16	29 1/4	20 1/2	29 13/16	24	13 3/4	16 3/8	9 5/8	10 1/8	14 7/8	16 1/4	17 5/8	19	17 5/8	19	12	29 13/16	24 7/16	5 1/32	1 1/4	420
2408-F_20D	12†	6 3/4	16	29 1/4	20 1/2	29 13/16	24	13 3/4	16 3/8	9 5/8	10 1/8	14 7/8	16 1/4	17 5/8	19	17 5/8	19	12	29 13/16	24 7/16	5 1/32	1 1/4	490
2412-D_7.5D	10	5 3/4	12 1/2	24 3/4	16 25/32	25 13/16	20	11 13/32	13 3/8	7 1/8	8 3/8	12 13/16	13 7/16	14 1/16	14 1/16	14 1/16	14 1/16	10	26 5/16	19 29/32	3 13/16	-	260
2412-D_10D	10	5 3/4	12 1/2	24 3/4	16 25/32	25 13/16	20	11 13/32	13 3/8	7 1/8	8 3/8	12 13/16	13 7/16	14 1/16	14 1/16	14 1/16	14 1/16	10	26 5/16	19 29/32	3 13/16	-	335
2412-F_10D	12	6 3/4	16	29 1/4	20 1/2	29 13/16	24	13 3/4	16 3/8	9 5/8	10 1/8	14 7/8	16 1/4	17 5/8	19	17 5/8	19	12	29 13/16	24 7/16	5 1/32	-	395
2412-F_15D	12†	6 3/4	16	29 1/4	20 1/2	29 13/16	24	13 3/4	16 3/8	9 5/8	10 1/8	14 7/8	16 1/4	17 5/8	19	17 5/8	19	12	29 13/16	24 7/16	5 1/32	1 1/4	420
2412-F_20D	12†	6 3/4	16	29 1/4	20 1/2	29 13/16	24	13 3/4	16 3/8	9 5/8	10 1/8	14 7/8	16 1/4	17 5/8	19	17 5/8	19	12	29 13/16	24 7/16	5 1/32	3	490
2416-D_7.5D	10	5 3/4	12 1/2	24 3/4	16 25/32	25 13/16	20	11 13/32	13 3/8	7 1/8	8 3/8	12 13/16	13 7/16	14 1/16	14 1/16	14 1/16	14 1/16	10	26 5/16	19 29/32	3 13/16	-	260
2416-D_10D	10	5 3/4	12 1/2	24 3/4	16 25/32	25 13/16	20	11 13/32	13 3/8	7 1/8	8 3/8	12 13/16	13 7/16	14 1/16	14 1/16	14 1/16	14 1/16	10	26 5/16	19 29/32	3 13/16	-	335
2416-F_15D	12	6 3/4	16	29 1/4	20 1/2	29 13/16	24	13 3/4	16 3/8	9 5/8	10 1/8	14 7/8	16 1/4	17 5/8	19	17 5/8	19	12	29 13/16	24 7/16	5 1/32	1 1/4	420
2416-F_20D	12	6 3/4	16	29 1/4	20 1/2	29 13/16	24	13 3/4	16 3/8	9 5/8	10 1/8	14 7/8	16 1/4	17 5/8	19	17 5/8	19	12	29 13/16	24 7/16	5 1/32	3	490
2416-F_25D	12†	6 3/4	16	29 1/4	20 1/2	29 13/16	24	13 3/4	16 3/8	9 5/8	10 1/8	14 7/8	16 1/4	17 5/8	19	17 5/8	19	12	29 13/16	24 7/16	5 1/32	3	520
2416-F_30D	12†	6 3/4	16	29 1/4	20 1/2	29 13/16	24	13 3/4	16 3/8	9 5/8	10 1/8	14 7/8	16 1/4	17 5/8	19	17 5/8	19	12	29 13/16	24 7/16	5 1/32	4 1/4	590
2420-F_15D	12	6 3/4	16	29 1/4	20 1/2	29 13/16	24	13 3/4	16 3/8	9 5/8	10 1/8	14 7/8	16 1/4	17 5/8	19	17 5/8	19	12	29 13/16	24 7/16	5 1/32	1 1/4	420
2420-F_20D	12	6 3/4	16	29 1/4	20 1/2	29 13/16	24	13 3/4	16 3/8	9 5/8	10 1/8	14 7/8	16 1/4	17 5/8	19	17 5/8	19	12	29 13/16	24 7/16	5 1/32	1 1/4	490
2420-F_25D	12†	6 3/4	16	29 1/4	20 1/2	29 13/16	24	13 3/4	16 3/8	9 5/8	10 1/8	14 7/8	16 1/4	17 5/8	19	17 5/8	19	12	29 13/16	24 7/16	5 1/32	3	520
2420-F_30D	12†	6 3/4	16	29 1/4	20 1/2	29 13/16	24	13 3/4	16 3/8	9 5/8	10 1/8	14 7/8	16 1/4	17 5/8	19	17 5/8	19	12	29 13/16	24 7/16	5 1/32	4 1/4	590
2424-F_20D	12	6 3/4	16	29 1/4	20 1/2	29 13/16	24	13 3/4	16 3/8	9 5/8	10 1/8	14 7/8	16 1/4	17 5/8	19	17 5/8	19	12	29 13/16	24 7/16	5 1/32	1 1/4	490
2424-F_25D	12†	6 3/4	16	29 1/4	20 1/2	29 13/16	24	13 3/4	16 3/8	9 5/8	10 1/8	14 7/8	16 1/4	17 5/8	19	17 5/8	19	12	29 13/16	24 7/16	5 1/32	3	520
2424-F_30D	12†	6 3/4	16	29 1/4	20 1/2	29 13/16	24	13 3/4	16 3/8	9 5/8	10 1/8	14 7/8	16 1/4	17 5/8	19	17 5/8	19	12	29 13/16	24 7/16	5 1/32	4 1/4	590

No. 4 Discharge Position (vertical down) is available with modification of base.

† For an average situation, a 14" discharge pipe is recommended but length of run should determine size.  
‡ For an average situation, a 16" discharge pipe is recommended but length of run should determine size.

• ODP Motor  
Δ TEFC Motor



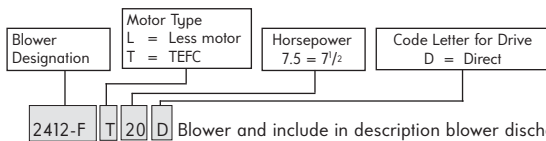
Standard impellers are aluminum. They can be furnished in steel or stainless steel at additional cost.

DIMENSIONS SHOWN ARE SUBJECT TO CHANGE. PLEASE OBTAIN CERTIFIED PRINTS FROM FIVES NORTH AMERICAN COMBUSTION, INC. IF SPACE LIMITATIONS OR OTHER CONSIDERATIONS MAKE EXACT DIMENSION(S) CRITICAL.

Blower Designation	Dimensions in inches								Approximate Weight, lb			
	A	F	V	W	X		X <sub>1</sub>		Direct Drive		Coupled Drive	
					DP	TEFC	DP	TEFC	DP	TEFC		
2408-G- 20	18	42 <sup>1</sup> / <sub>16</sub>	42 <sup>1</sup> / <sub>16</sub>	8	-	-	-	-	1375	1465	1695	1785
2408-G- 25	20	42 <sup>1</sup> / <sub>16</sub>	42 <sup>1</sup> / <sub>16</sub>	8	-	-	-	-	1470	1565	1790	1885
2408-G- 30	24	44 <sup>3</sup> / <sub>16</sub>	46 <sup>11</sup> / <sub>16</sub>	13 <sup>11</sup> / <sub>16</sub>	-	-	-	-	1500	1615	1820	1935
2408-G- 40	24	44 <sup>3</sup> / <sub>16</sub>	46 <sup>11</sup> / <sub>16</sub>	13 <sup>11</sup> / <sub>16</sub>	-	-	-	-	1575	1730	1895	2050
2408-G- 50	24*	44 <sup>3</sup> / <sub>16</sub>	46 <sup>11</sup> / <sub>16</sub>	13 <sup>11</sup> / <sub>16</sub>	-	1/2	-	1/2	1625	1795	1945	2115
2408-H- 50D	For dimensions refer to Sheet 2400-1.											
2412-G- 25	16	42 <sup>1</sup> / <sub>16</sub>	42 <sup>1</sup> / <sub>16</sub>	8	-	-	-	-	1485	1580	1800	1895
2412-G- 30	18	42 <sup>1</sup> / <sub>16</sub>	42 <sup>1</sup> / <sub>16</sub>	8	-	-	-	-	1515	1630	1830	1945
2412-G- 40	20	42 <sup>1</sup> / <sub>16</sub>	42 <sup>1</sup> / <sub>16</sub>	8	-	-	-	-	1590	1745	1905	2060
2412-G- 50	24	44 <sup>3</sup> / <sub>16</sub>	46 <sup>11</sup> / <sub>16</sub>	13 <sup>11</sup> / <sub>16</sub>	-	1/2	-	1/2	1640	1810	1955	2125
2412-G- 60	24	44 <sup>3</sup> / <sub>16</sub>	46 <sup>11</sup> / <sub>16</sub>	13 <sup>11</sup> / <sub>16</sub>	-	1 3/4	-	8 7/8	1725	1940	2040	2255
2416-G- 30	16	42 <sup>1</sup> / <sub>16</sub>	42 <sup>1</sup> / <sub>16</sub>	8	-	-	-	-	1520	1635	1835	1950
2416-G- 40	18	42 <sup>1</sup> / <sub>16</sub>	42 <sup>1</sup> / <sub>16</sub>	8	-	-	-	-	1595	1750	1910	2065
2416-G- 50	20	42 <sup>1</sup> / <sub>16</sub>	42 <sup>1</sup> / <sub>16</sub>	8	-	1/2	-	1/2	1645	1815	1960	2130

\* For an average situation, a 30" discharge pipe is recommended but length of run should determine size.

**To order, specify:**



Enter motor (from Blower and Motor Price List) on next line.

Example: 2412-F-T20D Direct Drive Blower with #3 discharge, with T20-C36TISC 20 hp 230-460/3/60 TEFC Motor mounted.

**WARNING:** Situations dangerous to personnel and property may exist with the operation and maintenance of any combustion equipment. The presence of fuels, oxidants, hot and cold combustion products, hot surfaces, electrical power in control and ignition circuits, etc., is inherent with any combustion application. Parts of this product may exceed 160F in operation and present a contact hazard. Fives North American Combustion, Inc. urges compliance with National Safety Standards and Insurance Underwriters' recommendations, and care in operation.



**CONTACT US:**  
 Fives North American Combustion, Inc.  
 4455 East 71st Street - Cleveland, OH 44105 - USA  
 Tel: +1 216 271 6000 - Fax: +1 216 373 4237  
 Email: fna.sales@fivesgroup.com

www.fivesgroup.com