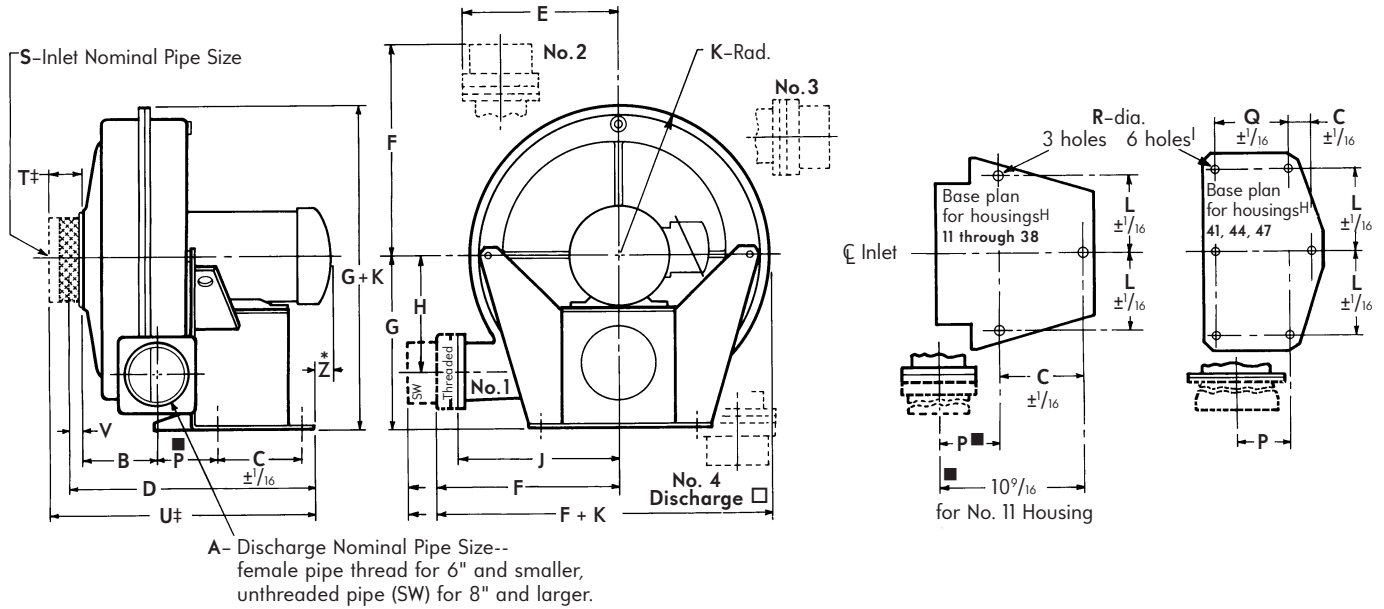


# North American Series 2300 Direct Drive Turbo Blowers

Dimensions 2300-D

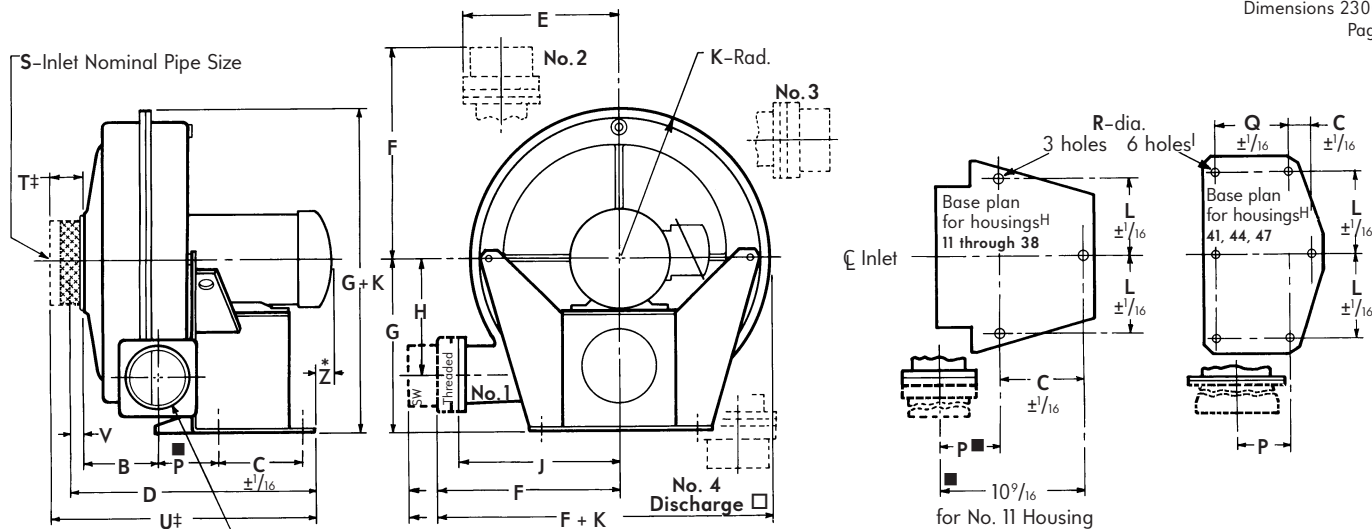


DIMENSIONS SHOWN ARE SUBJECT TO CHANGE. PLEASE OBTAIN CERTIFIED PRINTS FROM FIVES NORTH AMERICAN COMBUSTION, INC. IF SPACE LIMITATIONS OR OTHER CONSIDERATIONS MAKE EXACT DIMENSION(S) CRITICAL.

All dimensions are in inches. Dimensions shown apply only to blowers with T-frame motors. Consult North American for dimensions of blowers with other motors.

Blower Designation ★	A	B	C	D	E	F	G	H	J	K	L	P	Q	R	S	T†	U‡	V	Z*	F+K	G+K
2304-11/1-3D	2§	1½	10⅝	13⅜	7¾	9⅞§	8¾	5⅞	8½	7	2⅜	■	—	¾	3	4	16⅞	¾	—	16⅞§	15¾
2304-44/1-10D	18†	11⅝	5½	32⅞	28	42⅞†	31½	18⅞	34	27⅞	23¾	9¾	17⅞	1	16	3¾	32⅞	31⅞	—	69¾†	58⅞
2308-11/3-T.5D	2§	3½	10⅝	15⅞	7¾	9⅞§	8¾	5⅞	8½	7	2⅜	■	—	¾	3	4	18⅞	¾	—	16⅞§	15¾
2308-14/1-5D	3§	2⅞	6	13⅜	10⅞	13⅞§	12¼	8⅞	11½	10⅞	5½	3⅞	—	¾	3	4	16⅞	1⅜	—	23⅞§	22⅞
2308-14/1-7.5D	3§	2⅞	6	13⅜	10⅞	13⅞§	12¼	8⅞	11½	10⅞	5½	3⅞	—	¾	3	4	16⅞	1⅜	—	23⅞§	22⅞
2308-14/1-1D	3§	2⅞	6	13⅜	10⅞	13⅞§	12¼	8⅞	11½	10⅞	5½	3⅞	—	¾	3	4	16⅞	1⅜	—	23⅞§	22⅞
2308-17/1-1D	4§	2⅞	6	14⅞	11	13⅞§	12¼	8¼	11½	10⅞	5½	4	—	¾	3	4	17½	1⅜	—	23⅞§	22⅞
2308-17/1-1.5D	6§	2⅞	6	14⅞	12	16⅞§	12¼	8¼	11½	10⅞	5½	4	—	¾	4	4	17½	1⅜	—	27⅞§	22⅞
2308-24/1-2D	6§	3⅞	4⅞	16	13⅞	15⅞§	13¾	9	13½	12⅞	6	5¼	—	¾	6	4	18⅞	1⅜	—	27⅞§	26⅞
2308-24/1-3D	8†	3⅞	4⅞	16	13⅞	19⅞†	13¾	9	13½	12⅞	6	5¼	—	¾	6	4	18⅞	1⅜	—	32†	26⅞
2308-31/1-5D	10†	3⅞	5¼	17¾	15⅞	30⅞†	18¼	10¼	18	14⅞	6⅞	6⅞	—	¾	8	4	20¼	1½	⅞	45¼†	33⅞
2308-31/1-7.5D	10†	3⅞	5¼	17¾	15⅞	30⅞†	18¼	10¼	18	14⅞	6⅞	6⅞	—	¾	8	4	20¼	1½	—	45¼†	33⅞
2308-31/1-7.5D	10†	3⅞	7¾	20¼	15⅞	30⅞†	18¼	10¼	18	14⅞	7	6⅞	—	¾	8	4	22¾	1½	⅞	45¼†	33⅞
2308-21/1-10D	12†	3⅞	5¾	21⅞	20⅞	38⅞†	25½	13⅞	25	19¾	7¼	8⅞	—	¾	10	4	23⅞	2¼	2¼	58⅞†	45¼
2308-44/1-10D	16†	11½	5½	31⅞	28	45⅞†	31½	18⅞	34	27⅞	23¾	9¾	17⅞	1	16	3¾	32	31⅞	—	72⅞†	58⅞
2308-44/1-15D	16†	11½	5½	31⅞	28	45⅞†	31½	18⅞	34	27⅞	23¾	9¾	17⅞	1	16	3¾	32	31⅞	—	72⅞†	58⅞
2308-44/1-20D	18†	11½	5½	31⅞	28	45⅞†	31½	18⅞	34	27⅞	23¾	9¾	17⅞	1	16	3¾	32	31⅞	1½	72⅞†	58⅞
2308-44/1-25D	18†	11½	7½	33⅞	28	45⅞†	31½	18⅞	34	27⅞	23¾	9¾	17⅞	1	16	3¾	32	31⅞	—	72⅞†	58⅞
2308-44/1-30D	18†	11½	7½	33⅞	28	45⅞†	31½	18⅞	34	27⅞	23¾	9¾	17⅞	1	16	3¾	32	31⅞	2½	72⅞†	58⅞
2308-47/1-40D	24†	12⅞	8	39⅞	33½	54⅞†	35	20½	38	31⅞	26⅞	13	22¾	1	24	6	40⅞	4⅞	½	85⅞†	66⅞
2308-47/1-50D	24†	12⅞	8	39⅞	33½	54⅞†	35	20½	38	31⅞	26⅞	13	22¾	1	24	6	40⅞	4⅞	2	85⅞†	66⅞

★ Explanation of designation: 2304-11/1-3D means Series 2300, 4 psi pressure, inner housing no. 11, 1 stage, ½ hp motor, direct drive.  
 † With drip-proof motor, if dimensions are different from TEFC.  
 ‡ With TEFC motor, if dimensions are different from drip-proof.  
 \* Z = Motor overhang for TEFC motors. There is no overhang for drip-proof motors, except 2320-33/1-40D and 2324-33/1-40D which overhang ½".  
 ‡ Listed T and U dimensions are for SW inlet. For threaded inlet where S = 3", T = 1¾"; S = 4", T = 1⅞"; S = 6", T = 5". If S is greater than 6", threaded inlet is not available.  
 † SW discharge (unthreaded pipe) is included in F.  
 ■ Discharge C is 10⅞" from farthest base hole, for inner housing no. 11.  
 § Female pipe thread. If SW discharge (unthreaded pipe) is specified, add 3¼" to F.  
 □ 5 holes when No. 4 discharge is furnished.  
 □ When #4 discharge position is specified, all blowers except those in discharge position group A, B, or C, require a modification of blower base (reference Bulletin 2300).

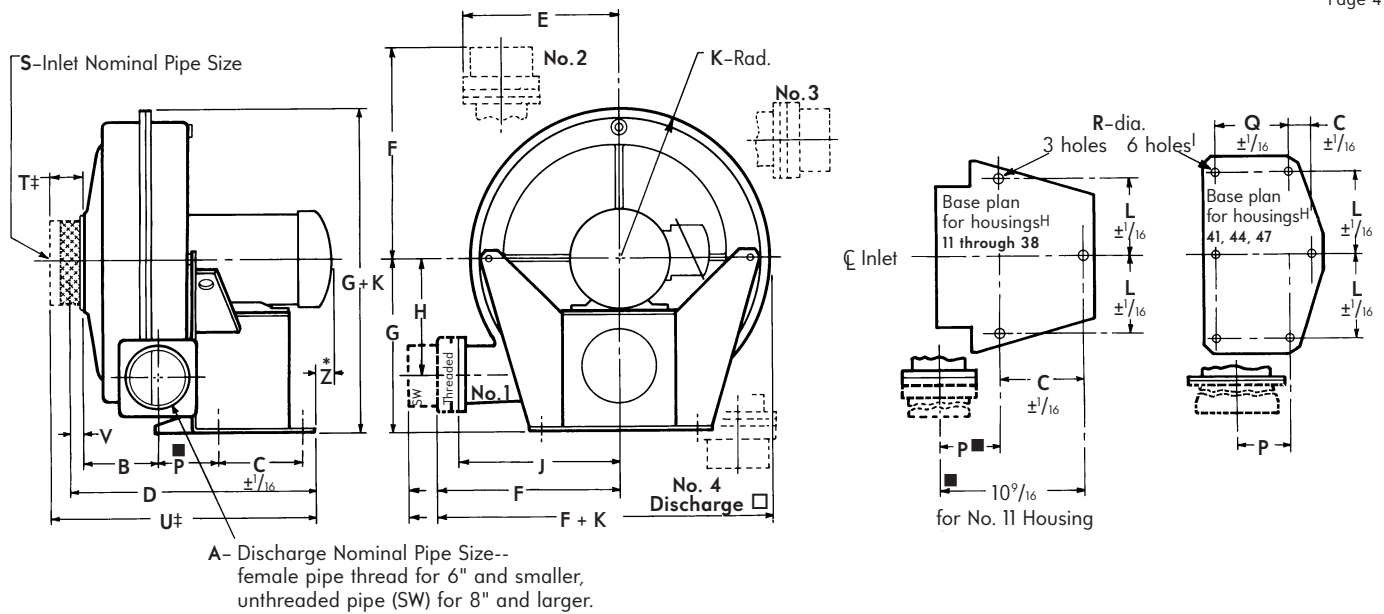


A- Discharge Nominal Pipe Size--  
female pipe thread for 6" and smaller,  
unthreaded pipe (SW) for 8" and larger.

All dimensions are in inches. Dimensions shown apply only to blowers with T-frame motors.  
Consult North American for dimensions of blowers with other motor dimensions.

Blower Designation ★	A	B	C	D	E	F	G	H	J	K	L	P	Q	R	S	T <sub>‡</sub>	U <sub>‡</sub>	V	Z <sup>‡</sup>	F+K	G+K
2310-11/4-T.5D	2S	4 1/16	10 5/8	16 3/4	7 1/2	9 9/16S	8 3/4	5 1/2	8 1/2	7	2 3/8	■	—	3/4	3	4	20	3/4	—	16 1/8S	15 3/4
2310-19/1-1D	3S	2 13/16	6 1/4	15	13 1/2	15 9/16S	15	10 3/4	14	13 3/16	6 3/4	4 5/16	—	3/4	3	4	18 3/16	1 3/16	—	28 7/8S	28 3/16
2310-19/1-1D	4S	2 13/16	6 1/4	15	13 1/2	15 9/16S	15	10 3/4	14	13 3/16	6 3/4	4 5/16	—	3/4	3	4	18 3/16	1 3/16	—	28 7/8S	28 3/16
2310-19/1-1.5D	6S	2 13/16	6 1/4	15	14 1/2	19 3/8S	15	10 3/4	14	13 3/16	6 3/4	4 5/16	—	3/4	4	4	18 3/16	1 3/16	—	32 1/16S	28 3/16
2310-19/1-2D	6S	2 13/16	6 1/4	15	14 1/2	19 3/8S	15	10 3/4	14	13 3/16	6 3/4	4 5/16	—	3/4	4	4	18 3/16	1 3/16	—	32 1/16S	28 3/16
2310-26/1-3D	6S	3 7/8	5 1/4	16 1/16	15 5/8	17 13/16S	16 1/4	11 3/4	16	14 3/4	7	5 7/16	—	3/4	6	4	19 3/8	1 3/16	—	32 9/16S	31
2310-26/1-5D	8†	3 7/8	5 1/4	16 1/16	15 5/8	22 3/16†	16 1/4	11 3/4	16	14 3/4	7	5 7/16	—	3/4	6	4	19 3/8	1 3/16	1	36 1/16†	31
2310-35/1-7.5D	10†	2 3/4	7 3/4	19 3/4	18 3/4	35 7/8†	20 3/8	13 3/8	23	18 13/16	8 1/2	6 13/16	—	3/4	8	4	22 1/4	1 1/2	1 3/16	54 3/4†	39 3/16
2310-21/1-10D	12†	3 15/16	5 3/4	21 1/16	20 5/8	38 7/16†	25 1/2	13 7/8	25	19 3/4	7 1/4	8 9/16	—	3/4	10	4	23 1/16	2 1/4	2 3/8	58 3/16†	45 1/4
2310-47/1-40D	20†	12 3/8	8	39 3/16	33 1/2	54 1/16†	35	20 1/2	38	31 1/16	26 7/8	13	22 3/4	1	24	—	—	4 5/16	9/16	85 5/8†	66 3/16
2310-47/1-50D	24†	12 3/8	8	39 3/16	33 1/2	54 1/16†	35	20 1/2	38	31 1/16	26 7/8	13	22 3/4	1	24	—	—	4 5/16	2	85 5/8†	66 3/16
2312-11/4-T.5D	2S	4 1/16	10 5/8	16 3/4	7 1/2	9 9/16S	8 3/4	5 1/2	8 1/2	7	2 3/8	■	—	3/4	3	4	20	3/4	—	16 1/8S	15 3/4
2312-19/1-1D	3S	2 13/16	6 1/4	15	13 1/2	15 9/16S	15	10 3/4	14	13 3/16	6 3/4	4 5/16	—	3/4	3	4	18 3/16	1 3/16	—	28 7/8S	28 3/16
2312-19/1-1.5D	4S	2 13/16	6 1/4	15	13 1/2	15 9/16S	15	10 3/4	14	13 3/16	6 3/4	4 5/16	—	3/4	4	4	18 3/16	1 3/16	—	28 7/8S	28 3/16
2312-19/1-2D	6S	2 13/16	6 1/4	15	13 1/2	19 3/8S	15	10 3/4	14	13 3/16	6 3/4	4 5/16	—	3/4	4	4	18 3/16	1 3/16	—	32 1/16S	28 3/16
2312-26/1-3D	6S	3 7/8	5 1/4	16 1/16	15 5/8	17 13/16S	16 1/4	11 3/4	16	14 3/4	7	5 7/16	—	3/4	6	4	19 3/8	1 3/16	—	32 9/16S	31
2312-26/1-5D	8†	3 7/8	5 1/4	16 1/16	15 5/8	22 3/16†	16 1/4	11 3/4	16	14 3/4	7	5 7/16	—	3/4	6	4	19 3/8	1 3/16	1	36 1/16†	31
2312-35/1-7.5D	8†	2 3/4	7 3/4	19 3/4	18 3/4	35 7/8†	20 3/8	13 3/8	23	18 13/16	8 1/2	6 13/16	—	3/4	8	4	22 1/4	1 1/2	1 3/16	54 3/4†	39 3/16
2312-35/1-10D	10†	2 3/4	7 3/4	19 3/4	18 3/4	35 7/8†	20 3/8	13 3/8	23	18 13/16	8 1/2	6 13/16	—	3/4	8	4	22 1/4	1 1/2	2 1/4	54 3/4†	39 3/16
2312-21/1-15d	12†	3 7/8	5 3/4	22 1/4	20 5/8	38 7/16†	25 1/2	13 7/8	25	19 3/4	7 1/4	8 9/16	—	3/4	14	3 3/4	22 3/4	3 1/4	—	58 3/16†	45 1/4
2312-21/1-15d	12†	3 7/8	9 3/4	26 3/4	20 5/8	38 7/16†	25 1/2	13 7/8	25	19 3/4	8 1/2	9 1/16	—	3/4	14	3 3/4	27 1/4	3 1/4	1/2	58 3/16†	45 1/4
2312-41/1-20D	16†	12 5/16	8	36 7/8	34 1/4	48 15/16†	38	25 3/8	37 1/2	33 1/16	29 7/8	11 3/8	19 3/4	1	16	3 3/4	36 15/16	3 1/16	—	82 3/8†	71 1/16
2312-41/1-25D	16†	12 5/16	8	36 7/8	34 1/4	48 15/16†	38	25 3/8	37 1/2	33 1/16	29 7/8	11 3/8	19 3/4	1	16	3 3/4	36 15/16	3 1/16	—	82 3/8†	71 1/16
2312-41/1-30D	16†	12 5/16	8	36 7/8	34 1/4	48 15/16†	38	25 3/8	37 1/2	33 1/16	29 7/8	11 3/8	19 3/4	1	16	3 3/4	36 15/16	3 1/16	5/8	82 3/8†	71 1/16
2312-47/1-40D	18†	12 3/8	8	39 3/16	33 1/2	54 1/16†	35	20 1/2	38	31 1/16	26 7/8	13	22 3/4	1	24	—	—	4 5/16	1/2	85 5/8†	66 3/16
2312-41/1-40D	18†	12 5/16	8	36 7/8	34 1/4	45 13/16†	38	25 3/8	37 1/2	33 1/16	29 7/8	11 3/8	19 3/4	1	16	3 3/4	36 15/16	3 1/16	1 1/2	79 1/2†	71 1/16
2312-47/1-50D	20†	12 3/8	8	39 3/16	33 1/2	54 1/16†	35	20 1/2	38	31 1/16	26 7/8	13	22 3/4	1	24	—	—	4 5/16	2	85 5/8†	66 3/16
2316-14/2-1D	3S	5 3/8	6	16 5/8	10 3/8	13 1/8S	12 1/4	8 3/8	11 1/2	10 1/8	5 1/2	3 3/8	—	3/4	3	4	19 13/16	1 3/16	—	23 5/8S	22 13/16
2316-14/2-1.5D	3S	5 3/8	6	16 5/8	10 3/8	13 1/8S	12 1/4	8 3/8	11 1/2	10 1/8	5 1/2	3 3/8	—	3/4	3	4	19 13/16	1 3/16	—	23 5/8S	22 13/16
2316-17/2-1.5D	4S	5 15/16	6	17 1/16	11	13 1/8S	12 1/4	8 1/4	11 1/2	10 1/8	5 1/2	4	—	3/4	4	4	20 3/4	1 3/16	—	23 5/8S	22 13/16
2316-17/2-2D	4S	5 15/16	6	17 1/16	11	13 1/8S	12 1/4	8 1/4	11 1/2	10 1/8	5 1/2	4	—	3/4	4	4	20 3/4	1 3/16	—	23 5/8S	22 13/16
2316-19/1-2D	4S	3 1/4	6 1/4	15 1/16	13 1/2	15 9/16S	15	10 3/4	14	13 3/16	6 3/4	4 5/16	—	3/4	4	4	18 5/8	1 3/16	—	28 7/8S	28 3/16
2316-19/1-3D	6S	3 1/4	6 1/4	15 1/16	14 1/2	19 3/8S	15	10 3/4	14	13 3/16	6 3/4	4 5/16	—	3/4	4	4	18 5/8	1 3/16	—	32 1/16S	28 3/16
2316-26/1-3D	6S	3 7/8	5 1/4	16 1/16	15 5/8	17 13/16S	16 1/4	11 3/4	16	14 3/4	7	5 7/16	—	3/4	6	4	19 3/8	1 3/16	—	32 9/16S	31
2316-17/2-3D	6S	5 15/16	6	17 1/16	11	16 7/8S	12 1/4	8 1/4	11 1/2	10 1/8	5 1/2	4	—	3/4	4	4	20 3/4	1 3/16	—	27 1/16S	22 13/16
2316-24/2-3D	6S	7 3/8	4 7/8	19 1/2	13 3/8	15 1/8S	13 3/4	9	13 1/2	12 5/16	6	5 1/4	—	3/4	6	4	22 5/16	1 3/16	1/8	27 5/8S	26 1/16
2316-28/1-5D	6S	3 15/16	7	19 3/16	17	21 3/16S	20 1/4	12 7/8	20	16 5/16	7 1/4	6 3/16	—	3/4	8	4	21 5/16	1 3/8	—	38 1/8S	36 9/16
2316-24/2-5D	6S	7 3/8	4 7/8	19 1/2	13 3/8	15 1/8S	13 3/4	9	13 1/2	12 5/16	6	5 1/4	—	3/4	6	4	22 5/16	1 3/16	—	27 5/8S	26 1/16
2316-26/1-5D	6S	3 7/8	5 1/4	16 1/16	15 5/8	17 13/16S	16 1/4	11 3/4	16	14 3/4	7	5 7/16	—	3/4	6	4	19 3/8	1 3/16	7/8	32 9/16S	31
2316-31/2-7.5d	8†	7 13/16	5 1/4	22 1/4	15 5/8	30 3/8†	18 1/4	10 1/4	18	14 7/8	6 3/8	6 7/8	—	3/4	8	4	24 3/4	1 1/2	—	45 1/4†	33 3/8
2316-31/2-7.5d	8†	7 13/16	7 3/4	24 3/4	15 5/8	30 3/8†	18 1/4	10 1/4	18	14 7/8	7	6 7/8	—	3/4	8	4	27 1/4	1 1/2	7/8	45 1/4†	33 3/8
2316-28/1-7.5D	6S	3 15/16	7	19 3/16	17	21 3/16S	20 1/4	12 7/8	20	16 5/16	7 1/4	6 3/16	—	3/4	8	4	21 5/16	1 3/8	1 3/16	38 5/8S	36 9/16
2316-26/1-7.5d	8†	3 7/8	5 1/4	16 1/16	15 5/8	22 13/16†	16 1/4	11 3/4	16	14 3/4	7	5 7/16	—	3/4	6	4	19 3/8	1 3/16	—	36 1/16†	31
2316-26/1-7.5d	8†	3 7/8	5 1/4	16 1/16	15 5/8	22 13/16†	16 1/4	11 3/4	16	14 3/4	7	5 7/16	—	3/4	6	4	19 3/8	1 3/16	2 13/16	36 1/16†	31
2316-31/2-10D	8†	7 13/16	7 3/4	24 3/4	15 5/8	30 3/8†	18 1/4	10 1/4	18	14 7/8	7	6 7/8	—	3/4	8	4	27 1/4	1 1/2	2 3/8	45 1/4†	33 3/8
2316-35/1-10D	8†	4 1/16	7 3/4	21 1/16	18 3/4	35 7/8†	20 3/8	13 3/8	23	18 13/16	8 1/2	6 13/16	—	3/4	8	4	23 3/16	1 1/2	2 1/4	54 3/4†	39 3/16

Blower Designation*	A	B	C	D	E	F	G	H	J	K	L	P	Q	R	S	T†	U‡	V	Z*	F+K	G+K
2316-21/1—15°D	10†	3 7/8	5 3/4	2 1/4	20 5/8	38 7/16†	25 1/2	13 7/8	25	19 3/4	7 1/4	8 9/16	—	3/4	10	4	23	2 1/4	—	58 3/16†	45 1/4
2316-21/1—15°D	10†	3 7/8	9 3/4	2 3/4	20 5/8	38 7/16†	25 1/2	13 7/8	25	19 3/4	8 1/2	9 1/16	—	3/4	10	4	27 1/2	2 1/4	1/2	58 3/16†	45 1/4
2316-35/1—15°D	10†	4 1/16	7 3/4	2 1/16	18 3/4	35 7/8†	20 3/8	13 3/8	23	18 13/16	8 1/2	6 15/16	—	3/4	8	4	23 3/16	1 1/2	—	54 3/4†	39 3/16
2316-35/1—15°D	10†	4 1/16	9	2 3/16	18 3/4	35 7/8†	20 3/8	13 3/8	23	18 13/16	9 1/2	8 3/16	—	3/4	8	4	26 1/16	1 1/2	2 3/16	54 3/4†	39 3/16
2316-21/1—20D	10†	3 7/8	9 3/4	2 5/8	20 5/8	38 7/16†	25 1/2	13 7/8	25	19 3/4	8 1/2	9 1/16	—	3/4	10	4	27 1/2	2 1/4	2 3/16	58 3/16†	45 1/4
2316-41/1—20D	12†	12 1/16	8	3 6/16	34 1/4	50 15/16†	38	25 1/8	37 1/2	33 1/16	29 7/8	11 3/8	19 3/4	1	16	3 3/4	36 15/16	3 1/16	—	84 3/8†	71 1/16
2316-33/1—25D	12†	5 7/8	9 1/2	30 1/8	26 7/8	47 15/16†	34 1/2	17 5/8	34	25 1/2	10	11 1/8	—	7/8	12	3 1/4	30 5/8	3 1/4	2 1/4	72 15/16†	60
2316-41/1—25D	12†	12 1/16	8	3 6/16	34 1/4	50 15/16†	38	25 1/8	37 1/2	33 1/16	29 7/8	11 3/8	19 3/4	1	16	3 3/4	36 15/16	3 1/4	—	84 3/8†	71 1/16
2316-33/1—30D	14†	5 7/8	9 1/2	30 1/8	26 7/8	47 15/16†	34 1/2	17 5/8	34	25 1/2	10	11 1/8	—	7/8	12	3 3/4	30 3/8	3 1/4	3 3/4	72 3/16†	60
2316-41/1—30D	16†	12 1/16	8	3 6/16	34 1/4	48 15/16†	38	25 1/8	37 1/2	33 1/16	29 7/8	11 3/8	19 3/4	1	16	3 3/4	36 15/16	3 1/16	5/8	82 3/8†	71 1/16
2316-41/1—40D	16†	12 1/16	8	3 6/16	34 1/4	48 15/16†	38	25 1/8	37 1/2	33 1/16	29 7/8	11 3/8	19 3/4	1	16	3 3/4	36 15/16	3 1/16	1 1/2	82 3/8†	71 1/16
2316-41/1—50D	16†	12 1/16	8	3 6/16	34 1/4	48 15/16†	38	25 1/8	37 1/2	33 1/16	29 7/8	11 3/8	19 3/4	1	16	3 3/4	36 15/16	3 1/16	3	82 3/8†	71 1/16
2320-19/2—1.5D	3§	6 7/8	6 1/4	19 1/16	13 1/2	15 9/16§	15	10 3/4	14	13 1/16	6 3/4	4 5/16	—	3/4	3	4	22 1/4	1 3/16	—	28 7/8§	28 5/16
2320-19/2—2D	4§	6 7/8	6 1/4	19 1/16	13 1/2	15 9/16§	15	10 3/4	14	13 1/16	6 3/4	4 5/16	—	3/4	4	4	22 1/4	1 3/16	—	28 7/8§	28 5/16
2320-19/2—3D	4§	6 7/8	6 1/4	19 1/16	13 1/2	15 9/16§	15	10 3/4	14	13 1/16	6 3/4	4 5/16	—	3/4	4	4	22 1/4	1 3/16	—	28 7/8§	28 5/16
2320-26/2—5D	6§	7	5 1/4	19 1/16	15 5/8	17 13/16§	16 1/4	11 3/4	16	14 3/4	7	5 7/16	—	3/4	6	4	22 1/2	1 3/16	—	32 3/16§	31
2320-26/2—7.5°D	6§	7	5 1/4	19 1/16	15 5/8	17 13/16§	16 1/4	11 3/4	16	14 3/4	7	5 7/16	—	3/4	6	4	22 1/2	1 3/16	—	32 3/16§	31
2320-26/2—7.5°D	6§	7	5 1/4	19 1/16	15 5/8	17 13/16§	16 1/4	11 3/4	16	14 3/4	7	5 7/16	—	3/4	6	4	22 1/2	1 3/16	2 3/16	32 3/16§	31
2320-35/1—10D	8†	4 1/16	7 3/4	2 1/16	18 3/4	35 7/8†	20 3/8	13 3/8	23	18 13/16	8 1/2	6 15/16	—	3/4	8	4	23 3/16	1 1/2	2 1/4	54 3/4†	39 3/16
2320-35/2—10D	8†	7 3/8	7 3/4	2 4 3/8	18 3/4	35 7/8†	20 3/8	13 3/8	23	18 13/16	8 1/2	6 15/16	—	3/4	8	4	26 7/8	1 1/2	2 1/4	54 3/4†	39 3/16
2320-35/2—15°D	8†	7 3/8	7 3/4	2 4 3/8	18 3/4	35 7/8†	20 3/8	13 3/8	23	18 13/16	8 1/2	6 15/16	—	3/4	8	4	26 7/8	1 1/2	—	54 3/4†	39 3/16
2320-35/2—15°D	8†	7 3/8	9	2 6/8	18 3/4	35 7/8†	20 3/8	13 3/8	23	18 13/16	9 1/2	8 3/16	—	3/4	8	4	29 3/8	1 1/2	2 3/16	54 3/4†	39 3/16
2320-21/1—15°D	8†	3 7/8	5 3/4	2 1/4	20 5/8	38 7/16†	25 1/2	13 7/8	25	19 3/4	7 1/4	8 9/16	—	3/4	10	4	23	2 1/4	—	58 3/16†	45 1/4
2320-21/1—15°D	8†	3 7/8	9 3/4	2 5/8	20 5/8	38 7/16†	25 1/2	13 7/8	25	19 3/4	8 1/2	9 1/16	—	3/4	10	4	27 1/2	2 1/4	1/2	58 3/16†	45 1/4
2320-35/1—15°D	8†	4 1/16	7 3/4	2 1/16	18 3/4	35 7/8†	20 3/8	13 3/8	23	18 13/16	8 1/2	6 15/16	—	3/4	8	4	23 3/16	1 1/2	—	54 3/4†	39 3/16
2320-35/1—15°D	8†	4 1/16	9	2 3/16	18 3/4	35 7/8†	20 3/8	13 3/8	23	18 13/16	9 1/2	8 3/16	—	3/4	8	4	26 1/16	1 1/2	2 3/16	54 3/4†	39 3/16
2320-21/1—20D	10†	3 7/8	9 3/4	2 5/8	20 5/8	38 7/16†	25 1/2	13 7/8	25	19 3/4	8 1/2	9 1/16	—	3/4	10	4	27 1/2	2 1/4	2 3/16	58 3/16†	45 1/4
2320-41/1—25D	12†	12 1/16	8	3 6/16	34 1/4	50 15/16†	38	25 1/8	37 1/2	33 1/16	29 7/8	11 3/8	19 3/4	1	16	3 3/4	36 15/16	3 1/16	—	84 3/8†	71 1/16
2320-33/1—25D	12†	5 7/8	9 1/2	30 1/8	26 7/8	47 15/16†	34 1/2	17 5/8	34	25 1/2	10	11 1/8	—	7/8	12	3 3/4	30 3/8	3 3/4	2 1/4	72 15/16†	60
2320-33/1—30D	12†	5 7/8	9 1/2	30 1/8	26 7/8	47 15/16†	34 1/2	17 5/8	34	25 1/2	10	11 1/8	—	7/8	12	3 3/4	30 3/8	3 1/4	3 3/4	72 15/16†	60
2320-41/1—30D	14†	5 7/8	9 1/2	30 1/8	26 7/8	47 15/16†	34 1/2	17 5/8	34	25 1/2	10	11 1/8	—	7/8	12	3 3/4	30 3/8	3 1/4	1/2	72 15/16†	60
2320-33/1—40°D	14†	5 7/8	12	32 3/8	26 7/8	47 15/16†	34 1/2	17 5/8	34	25 1/2	11 3/4	11 1/8	—	7/8	12	3 3/4	33 3/8	3 1/4	2 3/4	72 15/16†	60
2320-41/1—40D	16†	12 1/16	8	3 6/16	34 1/4	50 15/16†	38	25 1/8	37 1/2	33 1/16	29 7/8	11 3/8	19 3/4	1	16	3 3/4	36 15/16	3 1/16	1 1/2	84 3/8†	71 1/16
2320-33/1—50D	14†	5 7/8	12	32 3/8	26 7/8	47 15/16†	34 1/2	17 5/8	34	25 1/2	11 3/4	11 1/8	—	7/8	12	3 3/4	33 3/8	3 1/4	4 1/4	72 15/16†	60
2320-41/1—50D	16†	12 1/16	8	3 6/16	34 1/4	48 15/16†	38	25 1/8	37 1/2	33 1/16	29 7/8	11 3/8	19 3/4	1	16	3 3/4	36 15/16	3 1/16	3	82 3/8†	71 1/16
2320-41/1—60D	16†	12 1/16	8	3 6/16	34 1/4	48 15/16†	38	25 1/8	37 1/2	33 1/16	29 7/8	11 3/8	19 3/4	1	16	3 3/4	36 15/16	3 1/16	4 1/8	82 3/8†	71 1/16
2324-14/3—1.5D	3§	8 1/2	6	19 3/4	10 3/8	13 1/16§	12 1/4	8 3/8	11 1/2	10 9/16	5 1/2	3 3/8	—	3/4	3	4	22 1/16	1 3/16	—	23 3/8§	22 3/16
2324-14/3—2D	3§	8 1/2	6	19 3/4	10 3/8	13 1/16§	12 1/4	8 3/8	11 1/2	10 9/16	5 1/2	3 3/8	—	3/4	3	4	22 1/16	1 3/16	—	23 3/8§	22 3/16
2324-19/2—3D	4§	6 7/8	6 1/4	19 1/16	13 1/2	15 9/16§	15	10 3/4	14	13 1/16	6 3/4	4 5/16	—	3/4	4	4	22 1/4	1 3/16	—	28 7/8§	28 5/16
2324-26/2—5D	6§	7	5 1/4	19 1/16	15 5/8	17 13/16§	16 1/4	11 3/4	16	14 3/4	7	5 7/16	—	3/4	6	4	22 1/2	1 3/16	1	32 3/16§	31
2324-26/2—7.5°D	6§	7	5 1/4	19 1/16	15 5/8	17 13/16§	16 1/4	11 3/4	16	14 3/4	7	5 7/16	—	3/4	6	4	22 1/2	1 3/16	—	32 3/16§	31
2324-26/2—7.5°D	6§	7	5 1/4	19 1/16	15 5/8	17 13/16§	16 1/4	11 3/4	16	14 3/4	7	5 7/16	—	3/4	6	4	22 1/2	1 3/16	2 3/16	32 3/16§	31
2324-35/2—10D	8†	7 3/8	7 3/4	2 4 3/8	18 3/4	35 7/8†	20 3/8	13 3/8	23	18 13/16	8 1/2	6 15/16	—	3/4	8	4	26 7/8	1 1/2	2 1/4	54 3/4†	39 3/16
2324-35/2—15°D	8†	7 3/8	9	2 6/8	18 3/4	35 7/8†	20 3/8	13 3/8	23	18 13/16	9 1/2	8 3/16	—	3/4	8	4	29 3/8	1 1/2	2 3/16	54 3/4†	39 3/16
2324-21/1—20D	10†	3 7/8	9 3/4	2 5/8	20 5/8	38 7/16†	25 1/2	13 7/8	25	19 3/4	8 1/2	9 1/16	—	3/4	10	4	27 1/4	2 1/4	2 3/16	58 3/16†	45 1/4
2324-33/1—25D	12†	5 7/8	9 1/2	30 1/8	26 7/8	47 15/16†	34 1/2	17 5/8	34	25 1/2	10	11 1/8	—	7/8	12	3 3/4	30 3/8	3 1/4	2 1/4	72 15/16†	60
2324-33/1—30D	12†	5 7/8	9 1/2	30 1/8	26 7/8	47 15/16†	34 1/2	17 5/8	34	25 1/2	10	11 1/8	—	7/8	12	3 3/4	30 3/8	3 1/4	3 3/4	72 15/16†	60
2324-33/1—40°D	12†	5 7/8	9 1/2	30 1/8	26 7/8	47 15/16†	34 1/2	17 5/8	34	25 1/2	10	11 1/8	—	7/8	12	3 3/4	30 3/8	3 1/4	1/2	72 15/16†	60
2324-33/1—40°D	12†	5 7/8	12	32 3/8	26 7/8	47 15/16†	34 1/2	17 5/8	34	25 1/2	11 3/4	11 1/8	—	7/8	12	3 3/4	33 3/8	3 1/4	2 3/4	72 15/16†	60
2324-33/1—50D	14†	7	12	34 3/16	26 7/8	47 15/16†	34 1/2	17 5/8	34	25 1/2	11 3/4	11 1/8	—	7/8	14	3 3/4	34 1/16	3 1/4	4 1/4	72 15/16†	60
2324-33/1—60D	14†	7	12	34 3/16	26 7/8	47 15/16†	34 1/2	17 5/8	34	25 1/2	11 3/4	11 1/8	—	7/8	14	3 3/4	34 1/16	3 1/4	5 7/8	72 15/16†	60
2332-19/3—3D	4§	10 1/16	6 1/4	22 7/8	13 1/2	15 9/16§	15	10 3/4	14	13 1/16	6 3/4	4 5/16	—	3/4	4	4	26 1/16	1 3/16	—	28 7/8§	28 5/16
2332-19/3—5D	4§	10 1/16	6 1/4	22 7/8	13 1/2	15 9/16§	15	10 3/4	14	13 1/16	6 3/4	4 5/16	—	3/4	4	4	26 1/16	1 3/16	—	28 7/8§	28 5/16
2332-28/2—7.5D	6§	8 7/8	7	24 1/4	17	21 13/16§	20 1/4	12 7/8													



All dimensions are in inches. Dimensions shown apply only to blowers with T-frame motors. Consult North American for dimensions of blowers with other motors.

Blower Designation*	A	B	C	D	E	F	G	H	J	K	L	P	Q	R	S	T±	U±	V	Z*	F+K	G+K
2344-28/3--15°D	6§	14¾	7	29¾	17	21¼§	20¼	12¾	20	16½	7¼	6¾	—	¾	8	4	32¾	1½	—	38¼§	36¾
2344-28/3--15°D	6§	14¾	10¾	33¾	17	21¼§	20¼	12¾	20	16½	8½	6¾	—	¾	8	4	36½	1½	1½	38¼§	36¾
2344-28/3--20D	6§	14¾	10¾	33¾	17	21¼§	20¼	12¾	20	16½	8½	6¾	—	¾	8	4	36½	1½	3	38¼§	36¾
2344-21/2--30D	8†	10½	12½	36¾	20%	38¼†	25½	13¾	25	19¾	10½	9¼	—	¾	10	4	38½	2¼	2	58¾†	45¼
2344-21/2--40°D	8†	10½	12½	36¾	20%	38¼†	25½	13¾	25	19¾	10½	9¼	—	¾	10	4	38½	2¼	—	58¾†	45¼
2344-21/2--40°D	8†	10½	12½	36¾	20%	38¼†	25½	13¾	25	19¾	10½	9¼	—	¾	10	4	38½	2¼	2¾	58¾†	45¼
2344-21/2--50D	8†	10½	12½	36¾	20%	38¼†	25½	13¾	25	19¾	10½	9¼	—	¾	10	4	38½	2¼	4¾	58¾†	45¼

- ★ Explanation of designation: 2304-11/1-3D means Series 2300, 4 psi pressure, inner housing no. 11, 1 stage, ½ hp motor, direct drive.
- ‡ With drip-proof motor, if dimensions are different from TEFC. † With TEFC motor, if dimensions are different from drip-proof.
- \* Z = Motor overhang for TEFC motors. There is no overhang for drip-proof motors, except 2320-33/1-40D and 2324-33/1-40D which overhang ½".
- ± Listed T and U dimensions are for SW inlet. For threaded inlet where S = 3", T = 1¼"; S = 4", T = 1¾"; S = 6", T = 5". If S is greater than 6", threaded inlet is not available.
- † SW discharge (unthreaded pipe) is included in F. ■ Discharge C is 10 9/16" from farthest base hole, for inner housing no. 11.
- § Female pipe thread. If SW discharge (unthreaded pipe) is specified, add 3¼" to F.
- 5 holes when No. 4 discharge is furnished.
- When #4 discharge position is specified, all blowers except those in discharge position group A, B, or C, require a modification of blower base (reference Bulletin 2300).

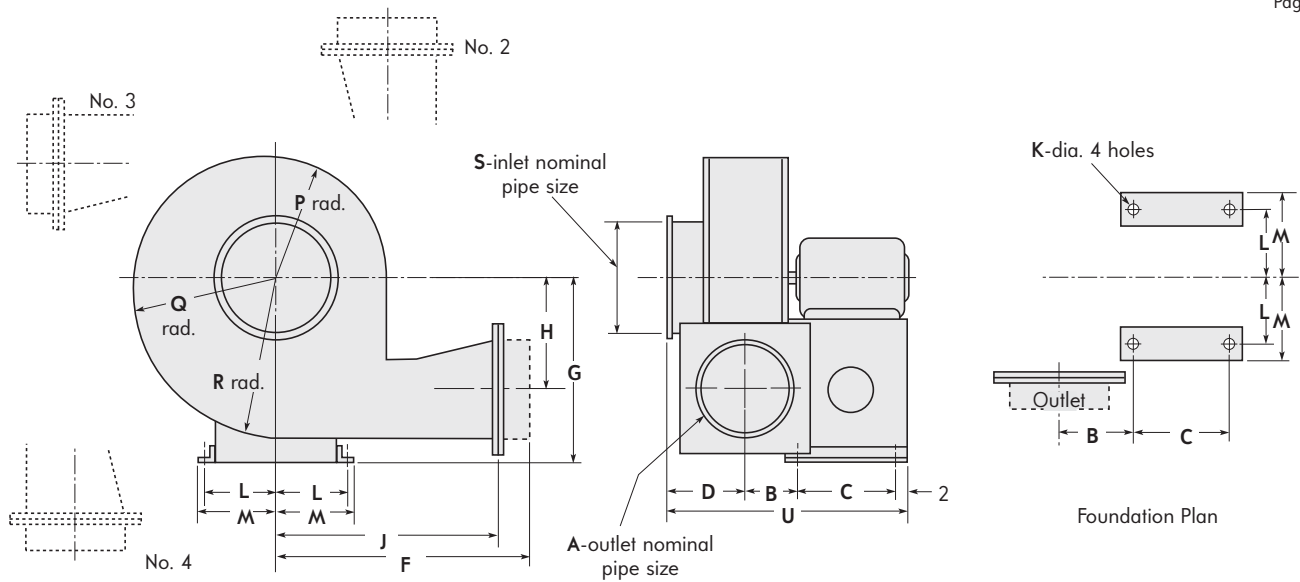
Inlet or outlet adapters are not included as standard supply and must be specified at an additional cost.



"SW" means sleeve or weld. A flexible rubberized sleeve (Bulletin 2947) can be slipped over an SW connection and clamped to prevent leaks. A flexible connection does not transmit vibrations or stresses as do welded or threaded connections. Blowers are not designed for imposed loads from hard pipe connections and should not be "hard" piped except under unusual circumstances.

**Discharge Connections:** A threaded (female) flange (Fig. 1) is available with blowers of 6" and smaller discharge pipe size. An SW connection (Fig. 2) is available for 8" and larger, or may be specified for smaller sizes (Fig. 3).

**Inlet Connections:** An SW inlet (unthreaded, Fig. 2) for sleeve or welding connection is available. A threaded female inlet (Fig. 3) may be specified for 3" through 6" inlets. For an open inlet, an inlet guard should be specified (Fig. 1). Blowers should not be operated without inlet protection.



DIMENSIONS SHOWN ARE SUBJECT TO CHANGE. PLEASE OBTAIN CERTIFIED PRINTS FROM FIVES NORTH AMERICAN COMBUSTION, INC.  
IF SPACE LIMITATIONS OR OTHER CONSIDERATIONS MAKE EXACT DIMENSION(S) CRITICAL.

All dimensions are in inches. Dimensions shown apply only to blowers with TS-frame motors.  
Consult Fives North American for dimensions of blowers with other motors.

Blower number ★	A	B	C	D	F	G	H	J	K	L	M	P	Q	R	S	U
2310-39/1-T50D	24	9 <sup>3</sup> / <sub>4</sub>	19	11 <sup>1</sup> / <sub>16</sub>	39 <sup>3</sup> / <sub>4</sub>	35	13 <sup>3</sup> / <sub>16</sub>	35 <sup>3</sup> / <sub>4</sub>	3/4	10 <sup>7</sup> / <sub>16</sub>	11 <sup>1</sup> / <sub>16</sub>	17 <sup>1</sup> / <sub>16</sub>	20 <sup>3</sup> / <sub>8</sub>	23 <sup>3</sup> / <sub>16</sub>	22	46 <sup>1</sup> / <sub>16</sub>
2310-39/1-T60D	24	10 <sup>1</sup> / <sub>8</sub>	20	11 <sup>1</sup> / <sub>16</sub>	38 <sup>7</sup> / <sub>8</sub>	35	13 <sup>1</sup> / <sub>4</sub>	36 <sup>1</sup> / <sub>8</sub>	3/4	11 <sup>1</sup> / <sub>16</sub>	12 <sup>3</sup> / <sub>16</sub>	18 <sup>1</sup> / <sub>16</sub>	21 <sup>1</sup> / <sub>8</sub>	23 <sup>3</sup> / <sub>4</sub>	24	47 <sup>1</sup> / <sub>16</sub>
2310-39/1-T75D	24	10 <sup>1</sup> / <sub>2</sub>	20	12 <sup>5</sup> / <sub>16</sub>	38 <sup>3</sup> / <sub>4</sub>	35	14 <sup>3</sup> / <sub>16</sub>	35 <sup>7</sup> / <sub>8</sub>	3/4	11 <sup>1</sup> / <sub>16</sub>	12 <sup>3</sup> / <sub>16</sub>	18 <sup>7</sup> / <sub>8</sub>	22 <sup>1</sup> / <sub>16</sub>	24 <sup>1</sup> / <sub>16</sub>	24	49 <sup>7</sup> / <sub>16</sub>
2310-39/1-T100D	26	11 <sup>1</sup> / <sub>8</sub>	22 <sup>3</sup> / <sub>8</sub>	12 <sup>1</sup> / <sub>16</sub>	39 <sup>1</sup> / <sub>2</sub>	35	14 <sup>1</sup> / <sub>16</sub>	36	3/4	12 <sup>7</sup> / <sub>8</sub>	14	20 <sup>1</sup> / <sub>8</sub>	23 <sup>7</sup> / <sub>16</sub>	26 <sup>7</sup> / <sub>16</sub>	26	53 <sup>1</sup> / <sub>16</sub>
2310-39/1-T125D	30	11 <sup>1</sup> / <sub>2</sub>	26	13 <sup>3</sup> / <sub>16</sub>	41 <sup>1</sup> / <sub>4</sub>	35	15 <sup>1</sup> / <sub>2</sub>	36 <sup>1</sup> / <sub>4</sub>	3/4	13 <sup>7</sup> / <sub>8</sub>	15	20 <sup>7</sup> / <sub>8</sub>	24 <sup>7</sup> / <sub>16</sub>	27 <sup>1</sup> / <sub>2</sub>	26	56 <sup>1</sup> / <sub>16</sub>
2312-34/1-T20D	16	5	16 <sup>1</sup> / <sub>8</sub>	6 <sup>1</sup> / <sub>16</sub>	32 <sup>3</sup> / <sub>8</sub>	35	11 <sup>1</sup> / <sub>16</sub>	30	3/4	8 <sup>3</sup> / <sub>4</sub>	9 <sup>5</sup> / <sub>8</sub>	14 <sup>1</sup> / <sub>2</sub>	16 <sup>3</sup> / <sub>4</sub>	18 <sup>1</sup> / <sub>16</sub>	14	29 <sup>9</sup> / <sub>16</sub>
2312-34/1-T25D	16	5 <sup>1</sup> / <sub>4</sub>	18 <sup>3</sup> / <sub>8</sub>	7 <sup>1</sup> / <sub>16</sub>	32 <sup>3</sup> / <sub>4</sub>	35	11 <sup>1</sup> / <sub>16</sub>	30	3/4	9 <sup>9</sup> / <sub>16</sub>	10 <sup>7</sup> / <sub>16</sub>	14 <sup>1</sup> / <sub>2</sub>	16 <sup>3</sup> / <sub>4</sub>	18 <sup>1</sup> / <sub>16</sub>	14	33 <sup>3</sup> / <sub>8</sub>
2312-34/1-T30D	20	6 <sup>3</sup> / <sub>8</sub>	18 <sup>1</sup> / <sub>8</sub>	8 <sup>7</sup> / <sub>16</sub>	33 <sup>3</sup> / <sub>4</sub>	35	15 <sup>1</sup> / <sub>16</sub>	30 <sup>1</sup> / <sub>2</sub>	3/4	9 <sup>9</sup> / <sub>16</sub>	10 <sup>7</sup> / <sub>16</sub>	16 <sup>9</sup> / <sub>16</sub>	20 <sup>3</sup> / <sub>16</sub>	23 <sup>1</sup> / <sub>16</sub>	16	37 <sup>7</sup> / <sub>8</sub>
2312-34/1-T40D	20	7 <sup>1</sup> / <sub>8</sub>	19	8 <sup>1</sup> / <sub>16</sub>	33 <sup>1</sup> / <sub>4</sub>	35	14 <sup>3</sup> / <sub>16</sub>	30 <sup>1</sup> / <sub>2</sub>	3/4	10 <sup>7</sup> / <sub>16</sub>	11 <sup>1</sup> / <sub>16</sub>	16 <sup>9</sup> / <sub>16</sub>	20 <sup>3</sup> / <sub>16</sub>	23 <sup>1</sup> / <sub>16</sub>	16	39 <sup>5</sup> / <sub>16</sub>
2312-37/1-T50D	22	7 <sup>3</sup> / <sub>16</sub>	19	9 <sup>1</sup> / <sub>16</sub>	38 <sup>3</sup> / <sub>4</sub>	35	15 <sup>7</sup> / <sub>16</sub>	35 <sup>1</sup> / <sub>2</sub>	3/4	10 <sup>7</sup> / <sub>16</sub>	11 <sup>1</sup> / <sub>16</sub>	17 <sup>3</sup> / <sub>8</sub>	21 <sup>1</sup> / <sub>16</sub>	24 <sup>1</sup> / <sub>16</sub>	18	41 <sup>1</sup> / <sub>16</sub>
2312-37/1-T60D	24	7 <sup>7</sup> / <sub>16</sub>	20	9 <sup>3</sup> / <sub>8</sub>	39 <sup>7</sup> / <sub>8</sub>	35	16 <sup>1</sup> / <sub>16</sub>	35 <sup>5</sup> / <sub>8</sub>	3/4	11 <sup>1</sup> / <sub>16</sub>	12 <sup>3</sup> / <sub>16</sub>	17 <sup>3</sup> / <sub>4</sub>	21 <sup>1</sup> / <sub>16</sub>	25 <sup>1</sup> / <sub>16</sub>	18	42 <sup>9</sup> / <sub>16</sub>
2312-37/1-T75D	24	7 <sup>1</sup> / <sub>16</sub>	20	9 <sup>3</sup> / <sub>4</sub>	38 <sup>7</sup> / <sub>8</sub>	35	16 <sup>1</sup> / <sub>16</sub>	35 <sup>7</sup> / <sub>8</sub>	3/4	11 <sup>1</sup> / <sub>16</sub>	12 <sup>3</sup> / <sub>16</sub>	18 <sup>9</sup> / <sub>16</sub>	22 <sup>5</sup> / <sub>8</sub>	26 <sup>1</sup> / <sub>16</sub>	18	44 <sup>3</sup> / <sub>16</sub>
2316-37/1-T40D	18	5 <sup>1</sup> / <sub>2</sub>	19	7 <sup>1</sup> / <sub>16</sub>	38 <sup>1</sup> / <sub>4</sub>	35	13 <sup>9</sup> / <sub>16</sub>	35 <sup>1</sup> / <sub>4</sub>	3/4	10 <sup>7</sup> / <sub>16</sub>	11 <sup>1</sup> / <sub>16</sub>	16 <sup>7</sup> / <sub>16</sub>	19	21 <sup>9</sup> / <sub>16</sub>	16	36 <sup>1</sup> / <sub>8</sub>
2316-37/1-T50D	18	5 <sup>1</sup> / <sub>16</sub>	19	7 <sup>3</sup> / <sub>8</sub>	38	35	13 <sup>9</sup> / <sub>16</sub>	35 <sup>1</sup> / <sub>4</sub>	3/4	10 <sup>7</sup> / <sub>16</sub>	11 <sup>1</sup> / <sub>16</sub>	16 <sup>7</sup> / <sub>16</sub>	19	21 <sup>9</sup> / <sub>16</sub>	16	38 <sup>1</sup> / <sub>4</sub>
2316-37/1-T60D	24	7 <sup>1</sup> / <sub>2</sub>	20	9 <sup>5</sup> / <sub>16</sub>	39 <sup>3</sup> / <sub>4</sub>	35	16 <sup>1</sup> / <sub>16</sub>	35 <sup>3</sup> / <sub>4</sub>	3/4	11 <sup>1</sup> / <sub>16</sub>	12 <sup>3</sup> / <sub>16</sub>	18 <sup>9</sup> / <sub>16</sub>	22 <sup>5</sup> / <sub>8</sub>	26 <sup>1</sup> / <sub>16</sub>	18	42 <sup>7</sup> / <sub>16</sub>
2316-37/1-T75D	24	8	20 <sup>1</sup> / <sub>2</sub>	9 <sup>1</sup> / <sub>16</sub>	38 <sup>3</sup> / <sub>8</sub>	35	16 <sup>3</sup> / <sub>16</sub>	35 <sup>7</sup> / <sub>8</sub>	3/4	11 <sup>1</sup> / <sub>16</sub>	12 <sup>3</sup> / <sub>16</sub>	18 <sup>9</sup> / <sub>16</sub>	22 <sup>5</sup> / <sub>8</sub>	26 <sup>1</sup> / <sub>16</sub>	18	44 <sup>7</sup> / <sub>16</sub>
2316-37/1-T100D	24	8 <sup>1</sup> / <sub>4</sub>	22 <sup>3</sup> / <sub>8</sub>	10 <sup>1</sup> / <sub>16</sub>	38 <sup>1</sup> / <sub>8</sub>	35	17 <sup>3</sup> / <sub>8</sub>	35 <sup>5</sup> / <sub>8</sub>	3/4	12 <sup>7</sup> / <sub>8</sub>	14	19 <sup>5</sup> / <sub>8</sub>	23 <sup>3</sup> / <sub>8</sub>	27 <sup>7</sup> / <sub>8</sub>	20	47 <sup>9</sup> / <sub>16</sub>
2320-37/1-T60D	20	6 <sup>1</sup> / <sub>8</sub>	20	7 <sup>1</sup> / <sub>16</sub>	38 <sup>7</sup> / <sub>8</sub>	35	15 <sup>1</sup> / <sub>8</sub>	35 <sup>5</sup> / <sub>8</sub>	3/4	11 <sup>1</sup> / <sub>16</sub>	12 <sup>3</sup> / <sub>16</sub>	18 <sup>1</sup> / <sub>8</sub>	20 <sup>3</sup> / <sub>16</sub>	23 <sup>3</sup> / <sub>8</sub>	18	33 <sup>1</sup> / <sub>16</sub>
2320-37/1-T75D	20	6 <sup>1</sup> / <sub>16</sub>	20	7 <sup>7</sup> / <sub>8</sub>	38 <sup>1</sup> / <sub>2</sub>	35	15 <sup>3</sup> / <sub>16</sub>	35 <sup>1</sup> / <sub>2</sub>	3/4	11 <sup>1</sup> / <sub>16</sub>	12 <sup>3</sup> / <sub>16</sub>	18 <sup>3</sup> / <sub>8</sub>	21 <sup>1</sup> / <sub>4</sub>	24 <sup>3</sup> / <sub>16</sub>	18	40 <sup>9</sup> / <sub>16</sub>
2320-37/1-T100D	22	6 <sup>1</sup> / <sub>2</sub>	22 <sup>3</sup> / <sub>8</sub>	8 <sup>3</sup> / <sub>16</sub>	39 <sup>1</sup> / <sub>2</sub>	35	15 <sup>1</sup> / <sub>16</sub>	35 <sup>3</sup> / <sub>4</sub>	3/4	12 <sup>7</sup> / <sub>8</sub>	14	18 <sup>1</sup> / <sub>16</sub>	21 <sup>3</sup> / <sub>4</sub>	24 <sup>1</sup> / <sub>16</sub>	18	43 <sup>1</sup> / <sub>16</sub>
2320-37/1-T125D	26	8 <sup>3</sup> / <sub>16</sub>	26	10 <sup>1</sup> / <sub>4</sub>	39 <sup>3</sup> / <sub>4</sub>	35	19 <sup>3</sup> / <sub>16</sub>	36	3/4	13 <sup>7</sup> / <sub>8</sub>	15	20 <sup>1</sup> / <sub>16</sub>	25 <sup>1</sup> / <sub>16</sub>	30 <sup>3</sup> / <sub>16</sub>	20	50 <sup>1</sup> / <sub>16</sub>
2320-37/1-T150D	26	8 <sup>7</sup> / <sub>8</sub>	26	10 <sup>9</sup> / <sub>16</sub>	39 <sup>1</sup> / <sub>4</sub>	35	19 <sup>1</sup> / <sub>4</sub>	35 <sup>7</sup> / <sub>8</sub>	3/4	13 <sup>7</sup> / <sub>8</sub>	15	21 <sup>1</sup> / <sub>16</sub>	26	30 <sup>3</sup> / <sub>4</sub>	22	53 <sup>7</sup> / <sub>16</sub>
2320-39/1-T200D	30	9 <sup>3</sup> / <sub>8</sub>	26	11 <sup>1</sup> / <sub>16</sub>	41	35	20	36 <sup>1</sup> / <sub>2</sub>	3/4	13 <sup>7</sup> / <sub>8</sub>	15	22 <sup>1</sup> / <sub>2</sub>	27 <sup>1</sup> / <sub>2</sub>	32 <sup>1</sup> / <sub>2</sub>	22	48 <sup>1</sup> / <sub>16</sub>
2320-39/1-T250D	30	12 <sup>7</sup> / <sub>8</sub>	26	14 <sup>9</sup> / <sub>16</sub>	40 <sup>1</sup> / <sub>2</sub>	35	17 <sup>3</sup> / <sub>4</sub>	37	3/4	13 <sup>7</sup> / <sub>8</sub>	15	23 <sup>3</sup> / <sub>4</sub>	27 <sup>1</sup> / <sub>16</sub>	31 <sup>1</sup> / <sub>4</sub>	30	57 <sup>3</sup> / <sub>16</sub>
2324-37/1-T75D	20	5 <sup>1</sup> / <sub>4</sub>	20	7 <sup>1</sup> / <sub>16</sub>	39	35	13 <sup>3</sup> / <sub>8</sub>	35 <sup>1</sup> / <sub>2</sub>	3/4	11 <sup>1</sup> / <sub>16</sub>	12 <sup>3</sup> / <sub>16</sub>	18 <sup>1</sup> / <sub>4</sub>	20 <sup>3</sup> / <sub>16</sub>	21 <sup>7</sup> / <sub>8</sub>	16	38 <sup>1</sup> / <sub>16</sub>
2324-37/1-T100D	24	6 <sup>1</sup> / <sub>16</sub>	22 <sup>3</sup> / <sub>8</sub>	8 <sup>3</sup> / <sub>8</sub>	39 <sup>3</sup> / <sub>4</sub>	35	16 <sup>1</sup> / <sub>4</sub>	35 <sup>1</sup> / <sub>2</sub>	3/4	12 <sup>7</sup> / <sub>8</sub>	14	19 <sup>9</sup> / <sub>16</sub>	22 <sup>5</sup> / <sub>8</sub>	25 <sup>3</sup> / <sub>4</sub>	18	44 <sup>3</sup> / <sub>16</sub>
2324-37/1-T125D	24	6 <sup>3</sup> / <sub>4</sub>	26	8 <sup>7</sup> / <sub>16</sub>	40 <sup>7</sup> / <sub>8</sub>	35	16 <sup>1</sup> / <sub>16</sub>	35 <sup>7</sup> / <sub>8</sub>	3/4	13 <sup>7</sup> / <sub>8</sub>	15	19 <sup>1</sup> / <sub>16</sub>	23 <sup>1</sup> / <sub>8</sub>	26 <sup>5</sup> / <sub>16</sub>	18	47 <sup>3</sup> / <sub>16</sub>
2324-37/1-T150D	24	8	26	9 <sup>1</sup> / <sub>16</sub>	38 <sup>3</sup> / <sub>4</sub>	35	15 <sup>7</sup> / <sub>8</sub>	36 <sup>1</sup> / <sub>4</sub>	3/4	13 <sup>7</sup> / <sub>8</sub>	15	20 <sup>1</sup> / <sub>16</sub>	23 <sup>3</sup> / <sub>8</sub>	26 <sup>3</sup> / <sub>8</sub>	22	51 <sup>1</sup> / <sub>16</sub>
2332-37/1-T75D	20	4 <sup>1</sup> / <sub>16</sub>	20 <sup>1</sup> / <sub>2</sub>	6 <sup>9</sup> / <sub>16</sub>	38 <sup>3</sup> / <sub>8</sub>	35	16 <sup>1</sup> / <sub>16</sub>	35 <sup>5</sup> / <sub>8</sub>	3/4	11 <sup>1</sup> / <sub>16</sub>	12 <sup>3</sup> / <sub>16</sub>	20 <sup>3</sup> / <sub>16</sub>	22 <sup>7</sup> / <sub>16</sub>	24 <sup>1</sup> / <sub>16</sub>	16	38
2332-37/1-T100D	24	6 <sup>3</sup> / <sub>16</sub>	22 <sup>3</sup> / <sub>8</sub>	7 <sup>1</sup> / <sub>16</sub>	40 <sup>3</sup> / <sub>8</sub>	35	14 <sup>9</sup> / <sub>16</sub>	36 <sup>1</sup> / <sub>8</sub>	3/4	12 <sup>7</sup> / <sub>8</sub>	14	20 <sup>3</sup> / <sub>16</sub>	22 <sup>7</sup> / <sub>16</sub>	24 <sup>1</sup> / <sub>16</sub>	16	43 <sup>1</sup> / <sub>8</sub>
2332-37/1-T125D	24	6 <sup>7</sup> / <sub>16</sub>	26	8 <sup>1</sup> / <sub>16</sub>	40 <sup>1</sup> / <sub>2</sub>	35	14 <sup>1</sup> / <sub>2</sub>	36 <sup>1</sup> / <sub>2</sub>	3/4	13 <sup>7</sup> / <sub>8</sub>	15	20 <sup>9</sup> / <sub>16</sub>	22 <sup>1</sup> / <sub>16</sub>	24 <sup>1</sup> / <sub>2</sub>	16	46 <sup>1</sup> / <sub>2</sub>
2332-37/1-T150D	24	6 <sup>1</sup> / <sub>16</sub>	26	8 <sup>7</sup> / <sub>16</sub>	40 <sup>1</sup> / <sub>2</sub>	35	14 <sup>7</sup> / <sub>16</sub>	37 <sup>3</sup> / <sub>4</sub>	3/4	13 <sup>7</sup> / <sub>8</sub>	15	20 <sup>7</sup> / <sub>8</sub>	23 <sup>3</sup> / <sub>16</sub>	24 <sup>1</sup> / <sub>16</sub>	18	49 <sup>1</sup> / <sub>4</sub>

★ Explanation of designation: 2312-34/1-T40D means Series 2300, 12 psi pressure, inner housing no. 34, 1 stage, 40 hp motor, direct drive.

**WARNING:** Situations dangerous to personnel and property may exist with the operation and maintenance of any combustion equipment. The presence of fuels, oxidants, hot and cold combustion products, hot surfaces, electrical power in control and ignition circuits, etc., are inherent with any combustion application. Parts of this product may exceed 160F in operation and present a contact hazard. Fives North American Combustion, Inc. urges compliance with National Safety Standards and Insurance Underwriters' recommendations, and care in operation.



**CONTACT US:**  
Fives North American Combustion, Inc.  
4455 East 71st Street - Cleveland, OH 44105 - USA  
Tel: +1 216 271 6000 - Fax: +1 216 373 4237  
Email: fna.sales@fivesgroup.com

www.fivesgroup.com