

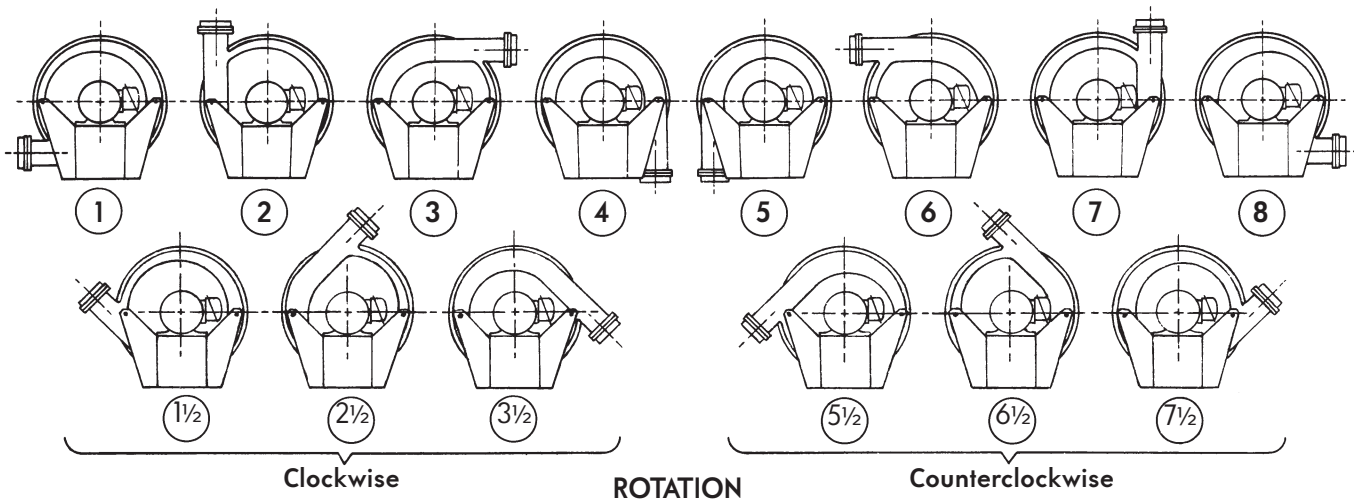
North American Blower Discharge Positions

2300 and 2400 Blowers are available in discharge positions other than #1, #2, and #3. Consult North American for quotation due to extra charges and longer delivery.

The numbering scheme below is used to specify discharge positions, which are determined viewing blower from mo-

tor side. Clockwise and counterclockwise designations are in accord with accepted standards.

See back for industry nomenclature covering discharge positions and drive arrangements.



Rotation of blower housing to any of the three standard discharge positions (1-3) can be accomplished in the field.

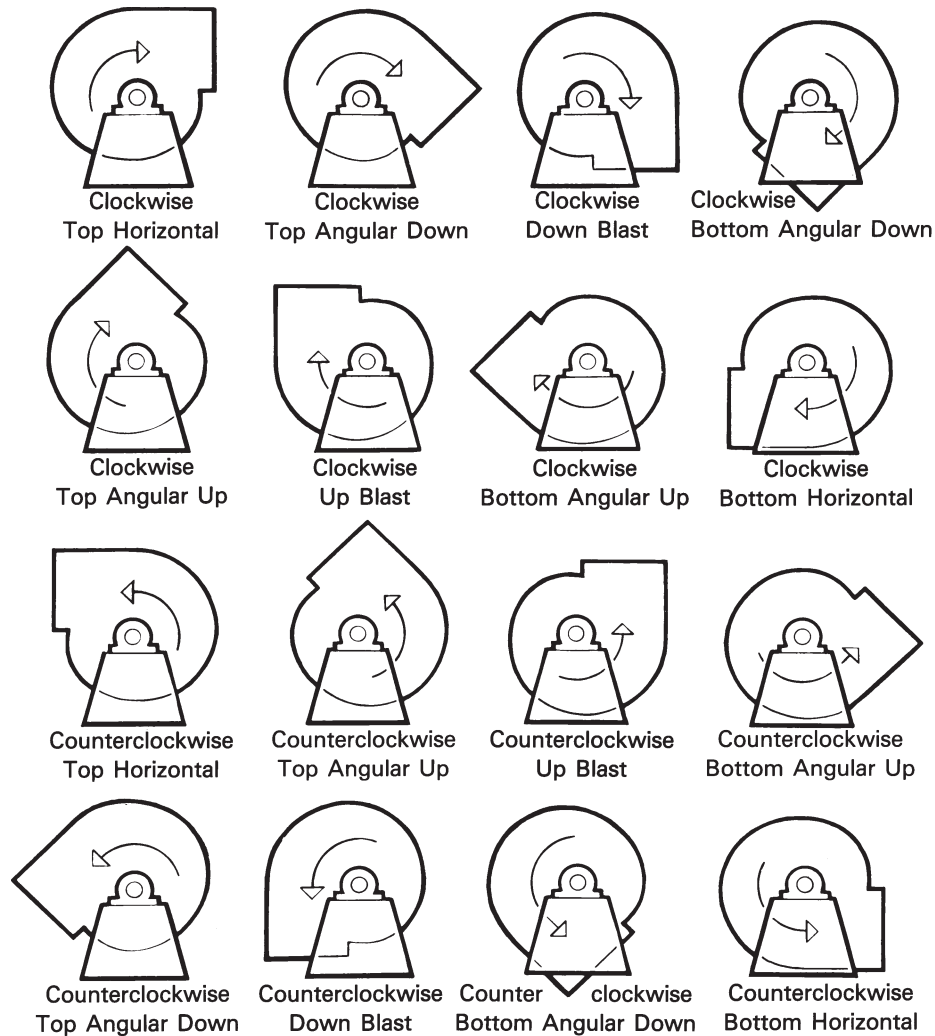
When #4 discharge position is specified, all blowers, except those in discharge position group A, B, or C, require a modification of blower base (reference Bulletin 2300). For field conversion to #4 position, base must be notched out on site. Detail drawings showing cutouts are: C1-2492 for 2400 D and -F Blowers, A1-2493 for 2400-G, and B1-2494 for 2300 (and 300) Blowers (for blowers with group A discharge position contact Product Manager).

In general, most blowers can be supplied with discharge positions 5, 6, 7, and 8 (at extra cost and longer delivery). All will have fabricated housings.

Blowers can also be supplied in discharge positions advanced 45° (at extra cost and with longer delivery), classified as positions 1 1/2, 2 1/2, and 3 1/2.

STANDARD INDUSTRY NOMENCLATURE

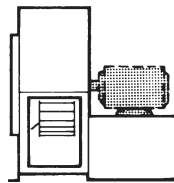
Designations for Rotation and Discharge of Centrifugal Fans (AMCA Standard 2406-66)



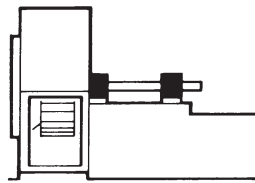
WARNING: Situations dangerous to personnel and property may exist with the operation and maintenance of any combustion equipment. The presence of fuels, oxidants, hot and cold combustion products, hot surfaces, electrical power in control and ignition circuits, etc., are inherent with any combustion application. Parts of this product may exceed 160F in operation and present a contact hazard. Fives North American Combustion, Inc. urges compliance with National Safety Standards and insurance Underwriters recommendations, and care in operation.

Direction of rotation is determined from drive side of fan.
On single inlet fans, drive side is always considered as the side opposite fan inlet.

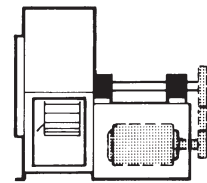
Drive Arrangements for Centrifugal Fans (AMCA Standard 2404-72)



ARR. 4 SWSI - For direct drive. Impeller overhung on prime mover shaft. No bearings on fan. Prime mover base mounted or integrally directly connected.



ARR. 8 SWSI - For belt drive or direct connection. Arrangement 1 plus extended base for prime mover.



ARR. 9 SWSI - For belt drive. Impeller overhung, two bearings, with prime mover outside base.

SW - Single Width DW - Double Width
SI - Single Inlet DI - Double Inlet



CONTACT US:
Fives North American Combustion, Inc.
4455 East 71st Street - Cleveland, OH 44105 - USA
Tel: +1 216 271 6000 - Fax: +1 216 373 4237
Email: fna.sales@fivesgroup.com

www.fivesgroup.com