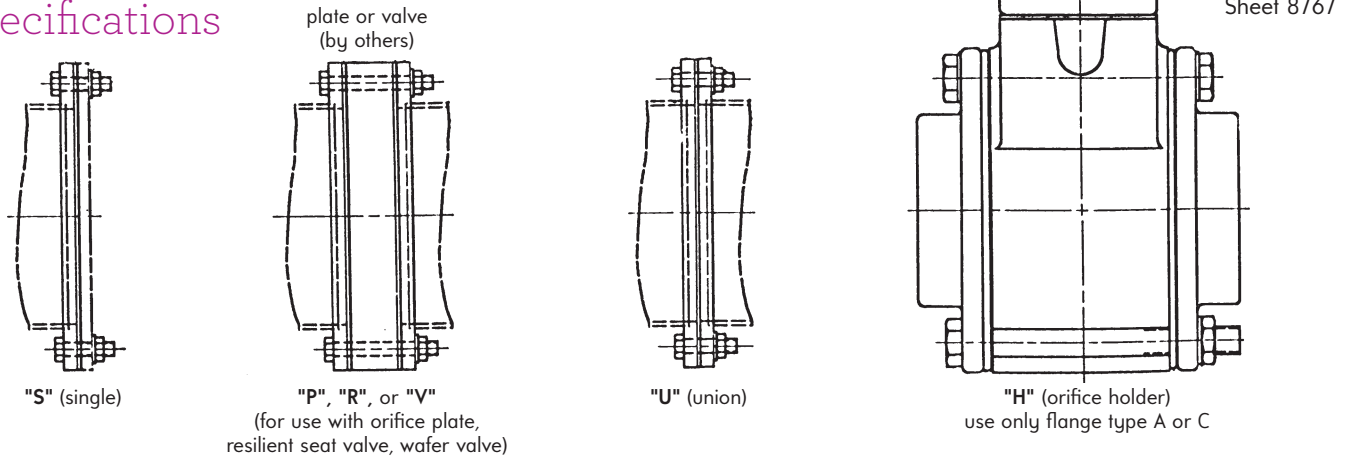


## ANSI and RPM Flanges Specifications



### ANSI and RPM FLANGE UNIONS AND FLANGES

How to specify 8767A, 8767B, 8767C, 8767D, and 8767E Flanges.

**8767**



**Option III**

**S** = Single: one flange, one gasket, hardware to accommodate companion flange thickness as follows:  
8767A, 8767B, 8767C: up to 1½"  
8767D, 8767E: up to ¾"

**P** = Orifice plate: two flanges, two gaskets, hardware to accommodate an orifice plate up to ⅜" thick.

**U** = Union: two flanges, one gasket, hardware.

**V** = Wafer valve: two flanges, two gaskets, hardware to accommodate the corresponding North American wafer valves: 1136, 45, 46, 55 and 56. (For butterfly and automatic shutoff valves use two "S" assembly flanges.)

**H** = 8697-7 Orifice holder: two flanges, type A or type C only. Two gaskets, 6 through bolts, washers and nuts. 4 blind hole bolts and washers.

**R** = Resilient seat valve: two flanges, hardware to accommodate North American 1154 Valve (gaskets not needed).

**Option II**

North American Pipe Code

**Option I**

(Product Designation)

**A** = ANSI Class 150 steel, slip-on welding, flat face

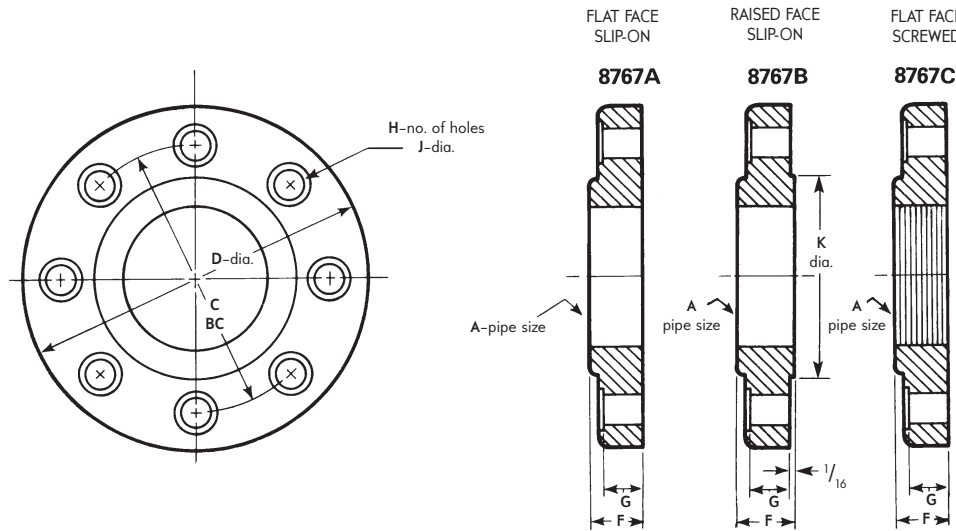
**B** = ANSI Class 150 steel, slip-on welding, raised face (except for 1154 resilient seat valves, not suitable as a companion flange for Fives products because of raised face)

**C** = ANSI Class 150, steel, screwed, flat face

**D** = Fabricated low pressure air--RPM drilling

**E** = Fabricated low pressure air--150 ANSI type drilling

NOTE: 500 F service is the temperature limitation for standard gaskets. For higher temperature service consult North American.



**8767A and 8767B ANSI CLASS 150 STEEL SLIP-ON WELDING FLANGES**

North American can supply ANSI (American National Standards Institute) Class 150 steel, slip-on welding flanges. 8767A Flat Face Flanges can be used (for example) as companion flanges with North American 1518 or 1519 Automatic Shutoff Valves and North American wafer valves 14" and under when slip-on welding connections are preferred. 8767B Flanges with raised face make suitable unions in fuel pipe lines.

Flange designation	dimensions in inches								Flange only wt, lb
	A	C	D	F	G	H	J		
8767A-01	1/2	2 3/8	3 1/2	5/8	7/16	4	5/8	1	
8767A-0	3/4	2 3/4	3 3/8	5/8	1/2	4	5/8	2	
8767A-1	1	3 1/8	4 1/4	1 1/16	9/16	4	5/8	2	
8767A-2	1 1/4	3 1/2	4 5/8	1 3/16	5/8	4	5/8	3	
8767A-3	1 1/2	3 3/8	5	7/8	1 1/16	4	5/8	3	
8767A-4	2	4 3/4	6	1	3/4	4	3/4	5	
8767A-5	2 1/2	5 1/2	7	1 1/8	1 1/16	4	3/4	8	
8767A-6	3	6	7 1/2	1 3/16	3/4	4	3/4	8	
8767A-7	4	7 1/2	9	1 5/16	15/16	8	3/4	12	
8767A-8	6	9 1/2	11	1 9/16	1	8	7/8	19	
8767A-9	8	11 3/4	13 1/2	1 3/4	1 1/8	8	7/8	30	
8767A-10	10	14 1/4	16	1 15/16	1 3/16	12	1	43	
8767A-12	12	17	19	2 3/16	1 1/4	12	1	64	
8767A-14	14	18 3/4	21	2 1/4	1 3/8	12	1 1/8	90	
8767A-16	16	21 1/4	23 1/2	2 1/2	1 7/16	16	1 1/8	98	
8767A-18	18	22 3/4	25	2 11/16	1 9/16	16	1 1/4	130	
8767A-20	20	25	27 1/2	2 7/8	1 11/16	20	1 1/4	165	

Flange designation	dimensions in inches									Flange only wt, lb
	A	C	D	F	G	H	J	K		
8767B-01	1/2	2 3/8	3 1/2	1 1/16	7/16	4	5/8	1 3/8	1	
8767B-0	3/4	2 3/4	3 3/8	1 1/16	1/2	4	5/8	1 11/16	2	
8767B-1	1	3 1/8	4 1/4	3/4	9/16	4	5/8	2	2	
8767B-2	1 1/4	3 1/2	4 5/8	7/8	5/8	4	5/8	2 1/2	3	
8767B-3	1 1/2	3 3/8	5	15/16	1 1/16	4	5/8	2 7/8	3	
8767B-4	2	4 3/4	6	1 1/16	3/4	4	3/4	3 3/8	5	
8767B-5	2 1/2	5 1/2	7	1 3/16	1 1/16	4	3/4	4 1/8	8	
8767B-6	3	6	7 1/2	1 1/4	3/4	4	3/4	5	8	
8767B-7	4	7 1/2	9	1 3/8	15/16	8	3/4	6 3/16	12	
8767B-8	6	9 1/2	11	1 5/8	1	8	7/8	8 1/2	19	
8767B-9	8	11 3/4	13 1/2	1 13/16	1 1/8	8	7/8	10 5/8	30	
8767B-10	10	14 1/4	16	2	1 3/16	12	1	12 3/4	43	
8767B-12	12	17	19	2 1/4	1 1/4	12	1	15	64	
8767B-14	14	18 3/4	21	2 5/16	1 3/8	12	1 1/8	16 1/4	90	
8767B-16	16	21 1/4	23 1/2	2 9/16	1 7/16	16	1 1/8	18 1/2	98	
8767B-18	18	22 3/4	25	2 11/16	1 9/16	16	1 1/4	21	130	
8767B-20	20	25	27 1/2	2 7/8	1 11/16	20	1 1/4	23	165	

**8767C ANSI CLASS 150 STEEL SCREWED FLAT FACE FLANGES**

These also can be used as companion flanges with North American 1518 Manual Reset or 1519 Automatic Valves and North American wafer valves 14" and under.

Flange designation	dimensions in inches							wt, lb
	A	C	D	F	G	H	J	
8767C-01	1/2	2 3/8	3 1/2	5/8	7/16	4	5/8	1
8767C-0	3/4	2 3/4	3 3/8	5/8	1/2	4	5/8	2
8767C-1	1	3 1/8	4 1/4	1 1/16	9/16	4	5/8	2
8767C-2	1 1/4	3 1/2	4 5/8	1 3/16	5/8	4	5/8	3
8767C-3	1 1/2	3 3/8	5	7/8	1 1/16	4	5/8	3
8767C-4	2	4 3/4	6	1	3/4	4	3/4	5
8767C-5	2 1/2	5 1/2	7	1 1/8	1 1/16	4	3/4	7
8767C-6	3	6	7 1/2	1 3/16	3/4	4	3/4	7 1/2
8767C-7	4	7 1/2	9	1 5/16	1 5/16	8	3/4	11 1/4
8767C-8	6	9 1/2	11	1 9/16	1	8	7/8	16 3/4
8767C-9	8	11 3/4	13 1/2	1 3/4	1 1/8	8	7/8	28 1/4

**8767D FABRICATED LOW PRESSURE AIR SLIP-ON FLANGES, RPM DRILLING**

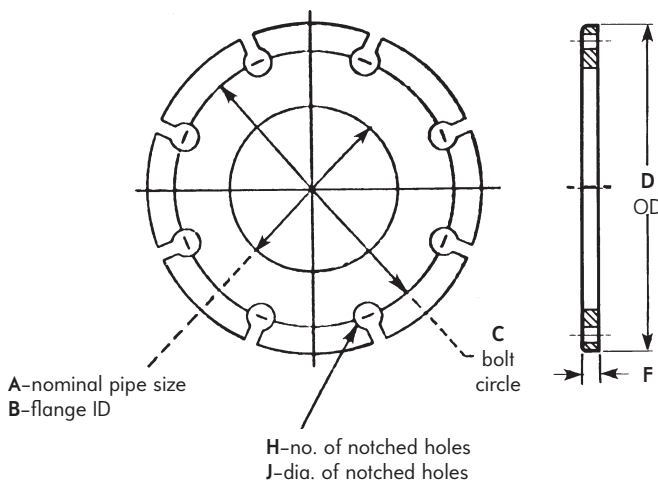
The following Fives equipment matches RPM dimensions in 16" and up:

Wafer Valves:  
1145, 1146, 1155, 1156

Magna-Flame™ Burners  
4795, 5795, 6795, 4796, 5796, 6796

VHP Burners:  
4818, 5818, 6818

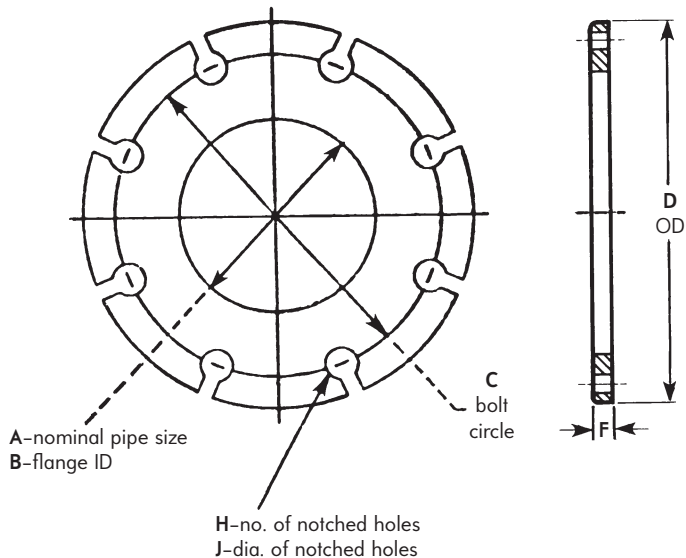
Hot Air Burners:  
4819, 5819, 6819, 4819- -A, 6819- -A



Flange designation	dimensions in inches							wt, lb
	A	B†	C	D	F	H	J	
8767D-6	3	3 9/16	4 3/4	6	3/8	4	5/8	2
8767D-7	4	4 9/16	5 15/16	7	3/8	8	5/8	3
8767D-8	6	6 11/16	7 7/8	9	1/2	8	5/8	6
8767D-9	8	8 3/4	10	11	1/2	8	5/8	7
8767D-10	10	10 7/8	12 1/4	14	1/2	12	3/4	12
8767D-12	12	12 7/8	14 1/4	16	1/2	12	3/4	14
8767D-14	14	14 7/8	16 1/4	18	5/8	12	3/4	20
8767D-16	16	16 7/8	19 1/4	21 1/4	5/8	16	3/4	31
8767D-18	18	18 7/8	21 1/4	23 1/4	5/8	16	3/4	36
8767D-20	20	20 7/8	23 1/8	25 1/4	5/8	20	3/4	38
8767D-22	22	22 7/8	26	28 1/4	5/8	20	3/4	51
8767D-24	24	24 7/8	27 3/4	30	3/4	20	3/4	64
8767D-26	26	26 1/4	29 3/4	32	3/4	24	7/8	66
8767D-28	28	28 1/4	31 3/4	34	3/4	28	7/8	71
8767D-30	30	30 1/4	33 3/4	36	3/4	28	7/8	75
8767D-32	32	32 1/4	35 3/4	38	3/4	28	7/8	80
8767D-34	34	34 1/4	37 3/4	40	3/4	32	7/8	85
8767D-36	36	36 1/4	39 3/4	42	3/4	32	7/8	89
8767D-38	38	38 1/4	41 3/4	44	3/4	32	7/8	94
8767D-40	40	40 1/4	43 3/4	46	3/4	36	7/8	99
8767D-42	42	42 1/4	45 3/4	48	3/4	36	7/8	103
8767D-44	44	44 1/4	47 3/4	50	3/4	40	7/8	108
8767D-46	46	46 1/4	49 3/4	52	3/4	40	7/8	112
8767D-48	48	48 1/4	51 3/4	54	3/4	44	7/8	117

† Based on standard steel pipe. For other types of pipe, alter B dimension to suit.

**8767E FABRICATED LOW PRESSURE AIR SLIP-ON FLANGES with ANSI 150 TYPE\* DRILLING**



Flange designation	dimensions in inches						
	A	B	C	D	F	H	J
8767E-5	2½	2¼	5½	7	⅜	4	¾
8767E-6	3	3⅞	6	7½	⅜	4	¾
8767E-7	4	4⅞	7½	9	⅜	8	¾
8767E-8	6	6⅞	9½	11	½	8	⅞
8767E-9	8	8⅞	11¾	13½	½	8	⅞
8767E-10	10	10⅞	14¼	16	½	12	1
8767E-12	12	12⅞	17	19	½	12	1
8767E-14	14	14¾	18¾	21	⅝	12	1⅞
8767E-16	16	16¾	21¼	23½	⅝	16	1⅞
8767E-18	18	18¾	22¾	25	⅝	16	1¼
8767E-20	20	20¾	25	27½	⅝	20	1¼
8767E-22	22		Unavailable--see 8767D Flange data				
8767E-24	24	24¼	29½	32	¾	20	1¾
8767E-26	26		Unavailable--see 8767D Flange data				
8767E-28	28						
8767E-30	30	30¼	36	38¾	¾	28	1¾

**\*Non-ANSI rated for low pressure combustion air only.**

DIMENSIONS SHOWN ARE SUBJECT TO CHANGE. PLEASE OBTAIN CERTIFIED PRINTS FROM FIVES NORTH AMERICAN COMBUSTION, INC. IF SPACE LIMITATIONS OR OTHER CONSIDERATIONS MAKE EXACT DIMENSION(S) CRITICAL.

**WARNING:** Situations dangerous to personnel and property may exist with the operation and maintenance of any combustion equipment. The presence of fuels, oxidants, hot and cold combustion products, hot surfaces, electrical power in control and ignition circuits, etc., is inherent with any combustion application. Parts of this product may exceed 160F in operation and present a contact hazard. Fives North American Combustion, Inc. urges compliance with National Safety Standards and Insurance Underwriters' recommendations, and care in operation.



**CONTACT US:**  
**Fives North American Combustion, Inc.**  
 4455 East 71st Street - Cleveland, OH 44105 - USA  
 Tel: +1 216 271 6000 - Fax: +1 216 373 4237  
 Email: fna.sales@fivesgroup.com

www.fivesgroup.com