

North American Pressure Switches

Pressure switches are used with Automatic Shutoff Valves or Solenoid Valves to interrupt fuel flow in the event of fuel or air failure. They are also used with Supervising Valve Systems (Bulletin 1857) and to protect regulators and other control devices from excessive pressures.

North American offers a variety of standard snap-acting pressure switches to monitor both static and differential pressures. Standard pressure switches are offered in multiple ranges and for different process fluids including air, natural gas, oil and steam. For applications requiring explosion-proof switches, oxygen service, or any other special requirement, contact North American for further information.



- 8757-GAO, -GML, -GMH:**
Pressure switches for gas or air
- Ranges from 0.16" wc to 200" wc
 - SPDT snap-action switch
 - NEMA 4 enclosure
 - FM, UL, CSA approved



- 8757-12:**
Pressure switches for gas, air or oil
- Ranges from 4" wc to 100 psi
 - SPDT snap-action switch
 - UL, CE, ANSI/ISA 12.27.01 approved Class I, II, Div. I, II



- 8757-B4, -D4:**
Pressure switches for gas, air or oil
- Ranges from 4.5" wc to 200 psi
 - SPDT snap-action switch
 - UL, CE, FM approved



- 8757-DG:**
Pressure switches for gas or air
- Ranges from 0.2" wc to 200" wc
 - SPDT snap-action switch
 - FM and UL approved



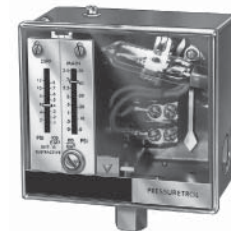
- 8757-xNN:**
Pressure switches for air
- Ranges from 2 PSI to 180 PSI
 - SPDT snap-action switch
 - NEMA 4X enclosure
 - FM approved



- 8757-PG, -DS:**
Pressure switches for air
- Ranges from 1" wc to 150 PSI
 - SPDT snap-action switch
 - FM, UL, CSA approved



- 8757-H400:**
Pressure switch for air
- Ranges from 2" wc to 100 PSI
 - SPDT snap-action switch
 - NEMA 4X enclosure
 - FM, UL, CE approved



- 8757-L404:**
Pressure switches for steam
- Ranges from 5 PSI to 150 PSI
 - Snap-action switch NO, NC, SPDT
 - UL, CSA approved

PRESSURE SWITCHES - STATIC PRESSURE

Switch Designation	Service	Action Press. Rise	Range of Operating Pressures	Max Static psi	Max Ambient Temp F	Differential Pressure (Dead Band)	Switch Rating		Approvals	Enclosure	Notes
							120Vac (Amps)	240Vac (Amps)			
8757-PG70-153/P1	Air	SPDT1	1-30" wc	15,20 (6)	180	4" wc	15	8	UL	1	1,6
8757-PG72-804/P1	Air	DPDT2	1-30" wc	15,20 (6)	180	8" wc	5	5	UL	1	2,6
8757-PG70-153/P2	Air	SPDT1	0.5-5 psi	15,20 (6)	180	0.5 psi	15	8	UL	1	1,6
8757-PG72-804/P2	Air	DPDT2	0.5-5 psi	15,20 (6)	180	1 psi	5	5	UL	1	2,6
8757-H400-441	Air	SPDT1	0-10" wc	3,225 (6)	160	0.15-0.3" wc	15	15	FM, UL, CE	4X	1,6
8757-H400-442	Air	SPDT1	0-20" wc	3,225 (6)	160	0.2-0.5" wc	15	15	FM, UL, CE	4X	1,6
8757-H400-443	Air	SPDT1	0-80" wc	3,225 (6)	160	0.5-1.8" wc	15	15	FM, UL, CE	4X	1,6
8757-H400-453	Air	SPDT1	0-20 psi	20,225 (6)	160	0.05-0.2 psi	15	15	FM, UL, CE	4X	1,6
8757-H400-454	Air	SPDT1	0-30 psi	30,225 (6)	160	0.05-0.3 psi	15	15	FM, UL, CE	4X	1,6
8757-DSF-7231/4	Air	SPDT1	1-35 psi	35	180	1.5 psi	15	15	FM, UL, CSA	1	1,3
8757-DSF-7231/7	Air	SPDT1	5-150 psi	150	180	3 psi	15	15	FM, UL, CSA	1	1,3
8757-12NNCA4	Air	SPDT1	0.5-6 psi	200,400 (6)	180	0.4 psi	22	22	FM	4X	1,6
8757-12NNCA45	Air	SPDT1	1-16 psi	200,400 (6)	180	0.6 psi	22	22	FM	4X	1,6
8757-4NNCA4	Air	SPDT1	2-25 psi	750,1000 (6)	180	1.2 psi	22	22	FM	4X	1,6
8757-4NNCA5	Air	SPDT1	3-50 psi	750,1000 (6)	180	1.6 psi	22	22	FM	4X	1,6
8757-4NNCA45	Air	SPDT1	4-75 psi	750,1000 (6)	180	2.0 psi	22	22	FM	4X	1,6
8757-6NNCA3	Air	SPDT1	12-100 psi	1500,2500 (6)	180	3.6 psi	22	22	FM	4X	1,6
8757-6NNCA5	Air	SPDT1	20-180 psi	1500,2500 (6)	180	5.6 psi	22	22	FM	4X	1,6
8757-GAO-A4/4/2	Gas, Air	SPDT1	0.16-1.2" wc	7	140	0.12" wc	10	5	FM, UL, CSA	4	1,3
8757-DG-2I	Gas, Air	SPDT1	0.2-2.4" wc	8.5	176	0.08-0.12" wc	5	5	FM, UL	IP65	1,3
8757-DG-4I	Gas, Air	SPDT1	0.4-4.0" wc	8.5	176	0.1-0.16" wc	5	5	FM, UL	IP65	1,3
8757-GAO-A4/4/3	Gas, Air	SPDT1	0.4-4.0" wc	7	140	0.2" wc	10	5	FM, UL, CSA	4	1,3
8757-GAO-A4/4/5	Gas, Air	SPDT1	2-20" wc	7	140	0.4" wc	10	5	FM, UL, CSA	4	1,3
8757-DG-20I	Gas, Air	SPDT1	1-20" wc	8.5	176	0.31-0.59" wc	5	5	FM, UL	IP65	1,3
8757-GML-A4/4/4	Gas, Air	SPDT1	1-20" wc	7	140	0.4" wc	10	5	FM, UL, CSA	4	1,3,7
8757-GAO-A4/4/6	Gas, Air	SPDT1	12-60" wc	7	140	1.2" wc	10	5	FM, UL, CSA	4	1,3
8757-DG-60I	Gas, Air	SPDT1	12-60" wc	8.5	176	1.17-1.95" wc	5	5	FM, UL	IP65	1,3
8757-GML-A4/4/6	Gas, Air	SPDT1	12-60" wc	7	140	1.2" wc	10	5	FM, UL, CSA	4	1,3,7
8757-GMH-A4/4/6	Gas, Air	SPDT1	12-60" wc	7	140	1.2" wc	10	5	FM, UL, CSA	4	1,3,7
8757-GAO-A4/4/8	Gas, Air	SPDT1	40-200" wc	14	140	4.0" wc	10	5	FM, UL, CSA	4	1,3
8757-DG-200I	Gas, Air	SPDT1	40-200" wc	8.5	176	3.12-6.63" wc	5	5	FM, UL	IP65	1,3
8757-12-20I	Gas, Air, Oil	SPDT1	-20-20" wc	75, 100 (6)	203	0.5-3.5" wc	5	5	CE,ANSI/ISA 12.27.01 UL, cUL	4X,Class I,II Div. I, II	1,5,6,9
8757-D4-30I	Gas, Air, Oil	SPDT1	4.5-30" wc	40,160 (6)	150	1.5-2.5" wc	15	15	FM, UL, CE	4X	1,5,6,8,9
8757-12-50I	Gas, Air, Oil	SPDT1	2-50" wc	75, 100 (6)	203	0.5-5" wc	5	5	CE, ANSI/ISA UL, cUL	4X,Class I,II	1,5,6,9
8757-D4-60I	Gas, Air, Oil	SPDT1	9-60" wc	40,160 (6)	150	1.5-3.5" wc	15	15	FM, UL, CE	4X	1,5,6,8,9
8757-12-65I	Gas, Air, Oil	SPDT1	4-65" wc	25,50 (6)	203	5.5" wc	5	5	CE,ANSI/ISA 12.27.01 UL, cUL	4X,Class I,II Div. I, II	1,5,6,9
8757-D4-100I	Gas, Air, Oil	SPDT1	15-100" wc	40,160 (6)	150	2.5-5.5" wc	15	15	FM, UL, CE	4X	1,5,6,8,9
8757-D4-150I	Gas, Air, Oil	SPDT1	22.5-150" wc	40,160 (6)	150	4.5-8.5" wc	15	15	FM, UL, CE	4X	1,5,6,8,9
8757-12-5P	Gas, Air, Oil	SPDT1	0.5-5 psi	25,50 (6)	203	0.4 psi	5	5	CE,ANSI/ISA 12.27.01,UL UL, cUL	4X,Class I,II Div. I, II	1,5,6,9
8757-12-200I	Gas, Air, Oil	SPDT1	10-200" wc	75, 100 (6)	203	1-10" wc	5	5	CE,ANSI/ISA 12.27.01 UL, cUL	4X,Class I,II Div. I, II	1,5,6,9
8757-12-15P	Gas, Air, Oil	SPDT1	1-15 psi	300,500 (6)	203	0.5-2.0 psi	5	5	CE,ANSI/ISA 12.27.01 UL, cUL	4X,Class I,II Div. I, II	1,5,6,9

(see page 3 for additional information)

PRESSURE SWITCHES - STATIC PRESSURE continued

Switch Designation	Service	Action Press. Rise	Range of Operating Pressures	Max Static psi	Max Ambient Temp F	Differential Pressure (Dead Band)	120Vac (Amps)	240Vac (Amps)	Approvals	Enclosure	Notes
8757-B4-15P	Gas, Air, Oil	SPDT1	2.25-15 psi	120,500 (6)	150	0.5-1.5 psi	15	15	FM, UL, CE	4X	1,5,6,8,9
8757-B4-30P	Gas, Air, Oil	SPDT1	4.5-30 psi	120,500 (6)	150	0.5-1.5 psi	15	15	FM, UL, CE	4X	1,5,6,8,9
8757-12-50P	Gas, Air, Oil	SPDT1	3-50 psi	300,500 (6)	203	0.5-4 psi	5	5	CE, ANSI/ISA 12.27.01 UL, cUL	4X, Class I, II Div. I, II	1,5,6,9
8757-B4-60P	Gas, Air, Oil	SPDT1	9-60 psi	120,500 (6)	150	1.0-3.5 psi	15	15	FM, UL, CE	4X	1,5,6,8,9
8757-12-100P	Gas, Air, Oil	SPDT1	5-100 psi	300,500 (6)	203	1.0-8 psi	5	5	CE, ANSI/ISA 12.27.01 UL, cUL	4X, Class I, II Div. I, II	1,5,6,9
8757-B4-100P	Gas, Air, Oil	SPDT1	15-100 psi	400,1000 (6)	150	1.5-5 psi	15	15	FM, UL, CE	4X	1,5,6,8,9
8757-B4-200P	Gas, Air, Oil	SPDT1	30-200 psi	400,1000 (6)	150	5-13 psi	15	15	FM, UL, CE	4X	1,5,6,8,9
8757-L404F1078	Steam	SPDT1	5-50 psi	85	150	6-14 psi	8	5.1	UL, CSA	1	1,4
8757-L404F1102	Steam	SPDT1	10-150 psi	225	150	10-22 psi	8	5.1	UL, CSA	1	1,4

PRESSURE SWITCHES - DIFFERENTIAL PRESSURE

Switch Designation	Service	Action Pressure Rise	Range of Operating Pressures	Max Static psi	Max Ambient Temp F	Differential Pressure (Dead Band)	120Vac (Amps)	240Vac (Amps)	Approvals	Enclosure	Notes
8757-PG70-153/P1	Air	SPDT1	1-30" wc	2	180	4" wc	15	8	UL	1	1
8757-PG72-804/P1	Air	DPDT2	1-30" wc	2	180	8" wc	5	5	UL	1	2
8757-PG70-153/P2	Air	SPDT1	0.5-5 psi	10	180	0.5 psi	15	8	UL	1	1
8757-PG72-804/P2	Air	DPDT2	0.5-5 psi	10	180	1 psi	5	5	UL	1	2
8757-PGW70-153/P2	Air	SPDT1	0.5-5 psi	10	180	0.5 psi	15	8	UL	3R	1
8757-H400K-455	Air	SPDT1	5-80" wc	225	160	1-4" wc	15	15	FM, UL, CE	4X	1
8757-H400K-457	Air	SPDT1	3-30 psi	225	160	0.1-0.4 psi	15	15	FM, UL, CE	4X	1
8757-DG-4I	Air	SPDT1	0.4-4.0" wc	8.5	176	0.1-0.16" wc	5	5	FM, UL	IP65	1,3
8757-DG-20I	Air	SPDT1	1-20" wc	8.5	176	0.31-0.59" wc	5	5	FM, UL	IP65	1,3
8757-DG-60I	Air	SPDT1	12-60" wc	8.5	176	1.17-1.95" wc	5	5	FM, UL	IP65	1,3
8757-DG-200I	Air	SPDT1	40-200" wc	8.5	176	3.12-6.63" wc	5	5	FM, UL	IP65	1,3

NOTES:

1. SPDT (Single Pole Double Throw) action means the switch makes one circuit and breaks another.
2. DPDT (Double Pole Double Throw) action means the switch makes two circuits and breaks two circuits.
3. Depending on the severity of some mechanical vibration, which may cause the pressure switch to break and remake momentarily, these switches may not be good for those types of applications.
4. A siphon (ordered separately) must always be connected between the pressure switch and the line when used with steam to act as a thermal buffer.
Specify R830-6699 for 180° siphon, R830-6698 for a 90° siphon.
5. When used with pre-heated oil, a siphon loop must always be connected between the pressure switch and main pipe to act as a thermal buffer.
6. The first pressure rating under heading "Max Static psi" is the max allowable pressure that can be applied without the need for recalibration. The second pressure rating is the proof pressure, which is defined as the max pressure to which the switch may be subjected to causing no permanent damage, however recalibration must be performed.
7. Manual Reset required.
8. These switches have a 1/4" vent which must be piped to an approved location.
9. These switches do not require a conduit seal to meet 4.1.3.2 of NFPA 86 2011.

PRESSURE SWITCHES - STATIC PRESSURE - 24VDC

Switch Designation	Service	Action Press. Rise	Range of Operating Pressures	Max Static PSI	Max Ambient Temp F	Differential Pressure (Dead Band)	Switch Rating 24Vdc (Amps)	Approvals	Enclosure	Notes
8757-J400-449-24VDC	Air	SPDTI	0-20" wc	3,225 (6)	160	1-2" wc	1	FM, UL, CE	4X	1,6
8757-J400-451-24VDC	Air	SPDTI	0-80" wc	3,225 (6)	160	1-3" wc	1	FM, UL, CE	4X	1,6
8757-H400-453-24VDC	Air	SPDTI	0-20 psi	20,225 (6)	160	0.05-0.2 psi	1	FM, UL, CE	4X	1,6
8757-H400-454-24VDC	Air	SPDTI	0-30 psi	30,225 (6)	160	0.05-0.3 psi	1	FM, UL, CE	4X	1,6
8757-DG-2I-24VDC	Gas, Air	SPDTI	0.2-2.4" wc	8.5	176	0.08-0.12" wc	0.1	FM, UL	IP65	1
8757-DG-4I-24VDC	Gas, Air	SPDTI	0.4-4.0" wc	8.5	176	0.1-0.16" wc	0.1	FM, UL	IP65	1
8757-DG-20I-24VDC	Gas, Air	SPDTI	1-20" wc	8.5	176	0.31-0.59" wc	0.1	FM, UL	IP65	1
8757-DG-60I-24VDC	Gas, Air	SPDTI	12-60" wc	8.5	176	1.17-1.95" wc	0.1	FM, UL	IP65	1
8757-DG-200I-24VDC	Gas, Air	SPDTI	40-200" wc	8.5	176	3.12-6.63" wc	0.1	FM, UL	IP65	1
8757-12-20I-24VDC	Gas, Air, Oil	SPDTI	-20-20" wc	75, 100 (6)	203	0.5-3.5" wc	1 res, 0.5 ind	CE, ANSI/ISA 12.27.01, UL, cUL	4X, Cls I, II Div. I, II	1,5,6,9
8757-D4-30I-24VDC	Gas, Air, Oil	SPDTI	4.5-30" wc	40,160 (6)	150	1.5-2.5" wc	6	FM, UL, CE	4X	1,5,6,8,9
8757-12-50I-24VDC	Gas, Air, Oil	SPDTI	2-50" wc	75, 100 (6)	203	0.5-5" wc	1 res, 0.5 ind	CE, ANSI/ISA 12.27.01, UL, cUL	4X, Cls I, II Div. I, II	1,5,6,9
8757-D4-60I-24VDC	Gas, Air, Oil	SPDTI	9-60" wc	40,160 (6)	150	1.5-3.5" wc	6	FM, UL, CE	4X	1,5,6,8,9
8757-D4-100I-24VDC	Gas, Air, Oil	SPDTI	15-100" wc	40,160 (6)	150	2.5-5.5" wc	6	FM, UL, CE	4X	1,5,6,8,9
8757-D4-150I-24VDC	Gas, Air, Oil	SPDTI	22.5-150" wc	40,160 (6)	150	4.5-8.5" wc	6	FM, UL, CE	4X	1,5,6,8,9
8757-12-200I-24VDC	Gas, Air, Oil	SPDTI	10-200" wc	75, 100 (6)	203	1-10" wc	1 res, 0.5 ind	CE, ANSI/ISA 12.27.01, UL, cUL	4X, Cls I, II Div. I, II	1,5,6,9
8757-12-15P-24VDC	Gas, Air, Oil	SPDTI	1-15 psi	300,500 (6)	203	0.5-2.0 psi	1 res, 0.5 ind	CE, ANSI/ISA 12.27.01, UL, cUL	4X, Cls I, II Div. I, II	1,5,6,9
8757-B4-15P-24VDC	Gas, Air, Oil	SPDTI	2.25-15 psi	120,500 (6)	150	0.5-1.5 psi	6	FM, UL, CE	4X	1,5,6,8,9
8757-B4-30P-24VDC	Gas, Air, Oil	SPDTI	4.5-30 psi	120,500 (6)	150	0.5-1.5 psi	6	FM, UL, CE	4X	1,5,6,8,9
8757-12-50P-24VDC	Gas, Air, Oil	SPDTI	3-50 psi	300,500 (6)	203	0.5-4 psi	1 res, 0.5 ind	CE, ANSI/ISA 12.27.01, UL, cUL	4X, Cls I, II Div. I, II	1,5,6,9
8757-B4-60P-24VDC	Gas, Air, Oil	SPDTI	9-60 psi	120,500 (6)	150	1.0-3.5 psi	6	FM, UL, CE	4X	1,5,6,8,9
8757-12-100P-24VDC	Gas, Air, Oil	SPDTI	5-100 psi	300,500 (6)	203	1.0-8 psi	1 res, 0.5 ind	CE, ANSI/ISA 12.27.01, UL, cUL	4X, Cls I, II Div. I, II	1,5,6,9
8757-B4-100P-24VDC	Gas, Air, Oil	SPDTI	15-100 psi	400,1000 (6)	150	1.5-5 psi	6	FM, UL, CE	4X	1,5,6,8,9
8757-B4-200P-24VDC	Gas, Air, Oil	SPDTI	30-200 psi	400,1000 (6)	150	5-13 psi	6	FM, UL, CE	4X	1,5,6,8,9

PRESSURE SWITCHES - DIFFERENTIAL PRESSURE - 24VDC

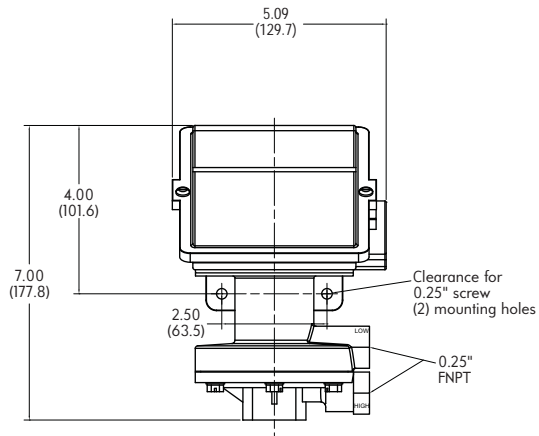
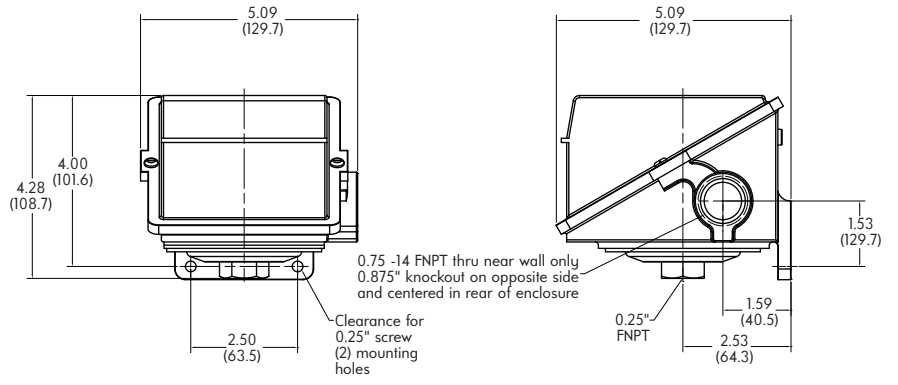
8757-H400K-455-24VDC	Air	SPDTI	5-80" wc	225	160	1-4" wc	1	FM, UL, CE	4X	1
8757-H400K-457-24VDC	Air	SPDTI	3-30 psi	225	160	0.1-0.4 psi	1	FM, UL, CE	4X	1
8757-DG-4I-24VDC	Air	SPDTI	0.4-4.0" wc	8.5	176	0.1-0.16" wc	0.1	FM, UL	IP65	1
8757-DG-20I-24VDC	Air	SPDTI	1-20" wc	8.5	176	0.31-0.59" wc	0.1	FM, UL	IP65	1
8757-DG-60I-24VDC	Air	SPDTI	12-60" wc	8.5	176	1.17-1.95" wc	0.1	FM, UL	IP65	1
8757-DG-200I-24VDC	Air	SPDTI	40-200" wc	8.5	176	3.12-6.63" wc	0.1	FM, UL	IP65	1

NOTES:

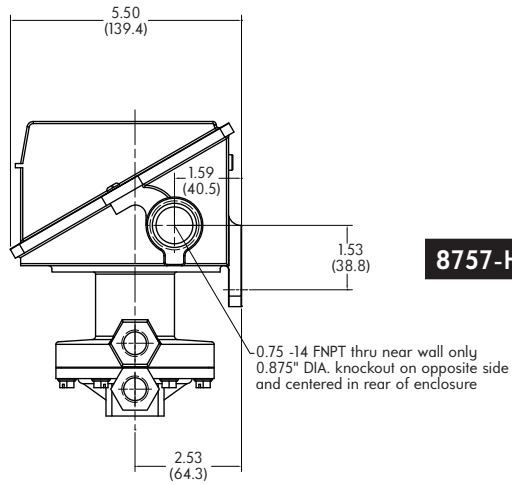
1. SPDT (Single Pole Double Throw) action means the switch makes one circuit and breaks another.
2. DPDT (Double Pole Double Throw) action means the switch makes two circuits and breaks two circuits.
3. These pressure switches must be mounted level and where they are relatively free from vibration.
4. A siphon (ordered seperately) must always be connected between the pressure switch and the line when used with steam to act as a themal buffer.
Specify R830-6699 for 180° siphon, R830-6698 for a 90° siphon.
5. When used with pre-heated oil, a siphon loop must always be connected between the pressure switch and main pipe to act as a themal buffer.
6. The first pressure rating under heading "Max Static psi" is the max allowable pressure that can be applied without the need for recalibration. The second pressure rating is the proof pressure, which is defined as the max pressure to which the switch may be subjected to causing no permanent damage, however recalibration must be performed.
7. Manual Reset required.
8. These switches have a 1/4" vent which must be piped to an approved location.
9. These switches do not require a conduit seal to meet 4.1.3.2 of NFPA 86 2011.

DIMENSIONS inches (mm)

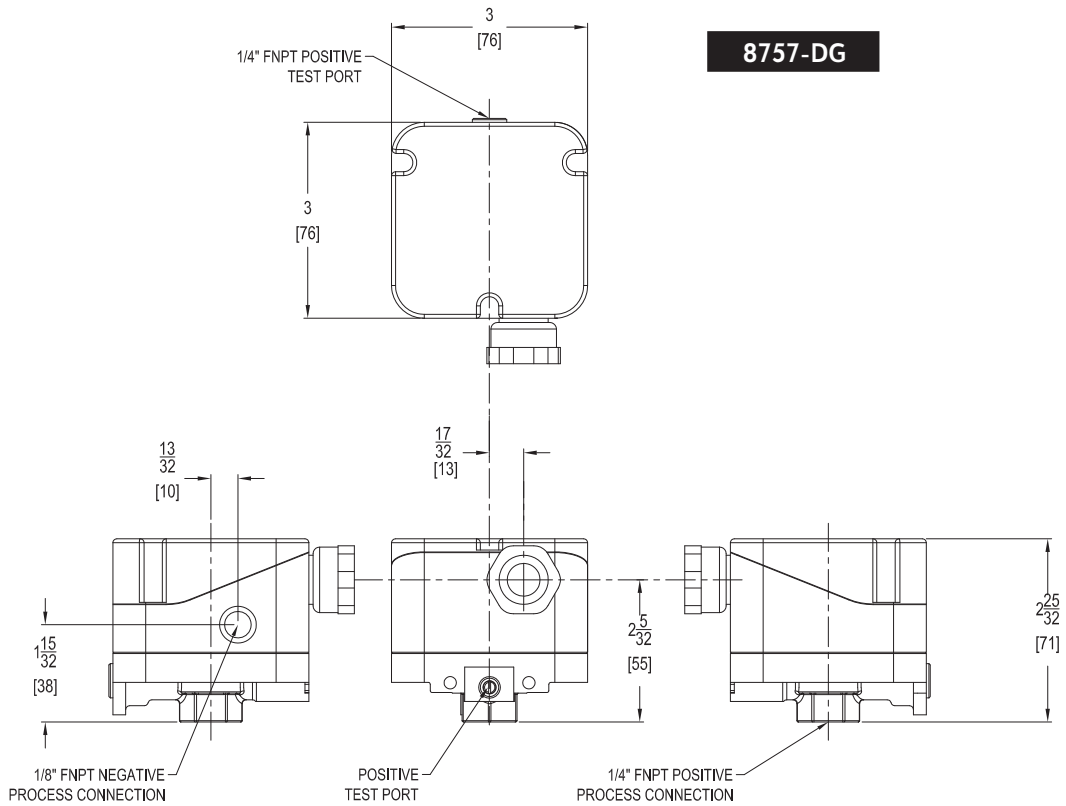
8757-H400

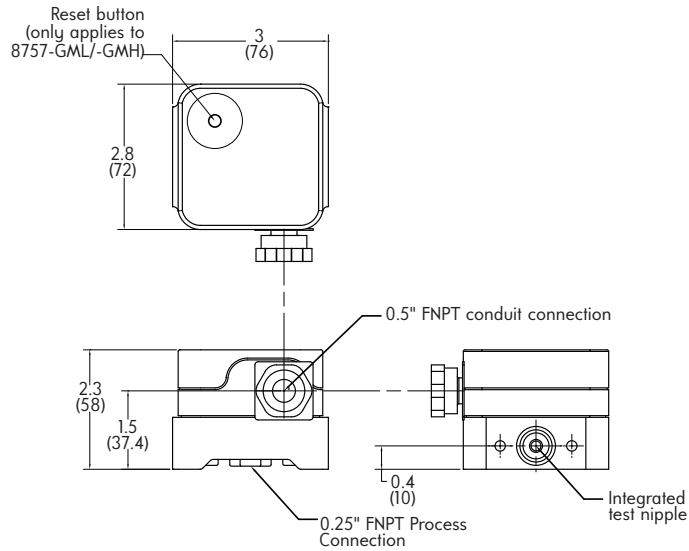


8757-H400K

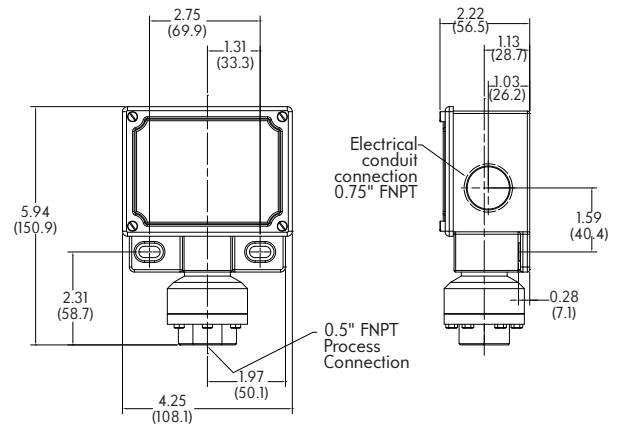


8757-DG

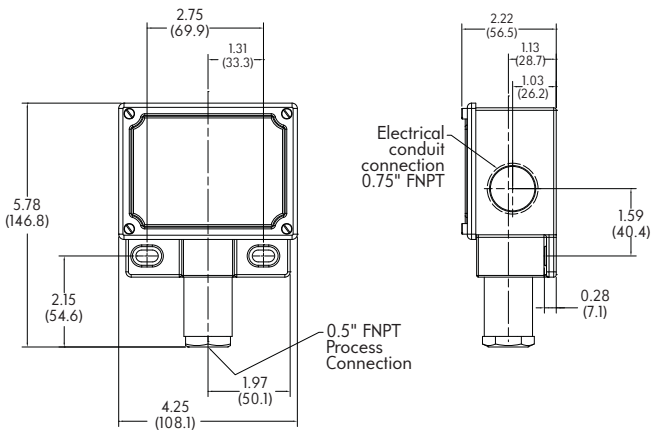




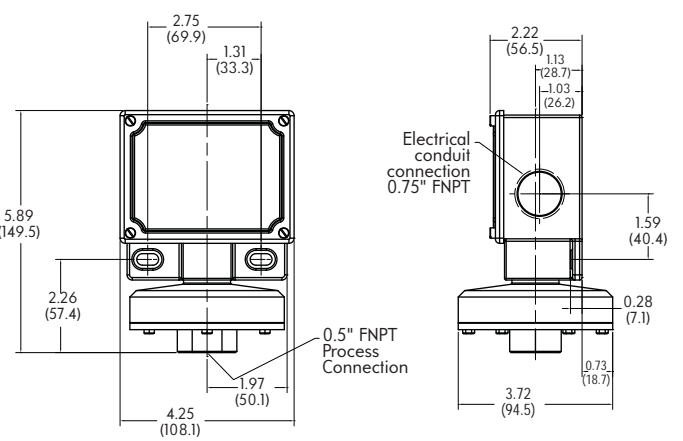
8757-GAO, -GML, -GMH



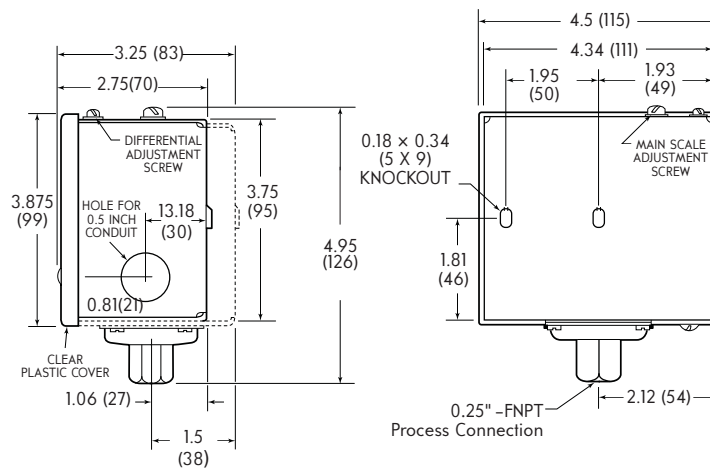
8757-4NN



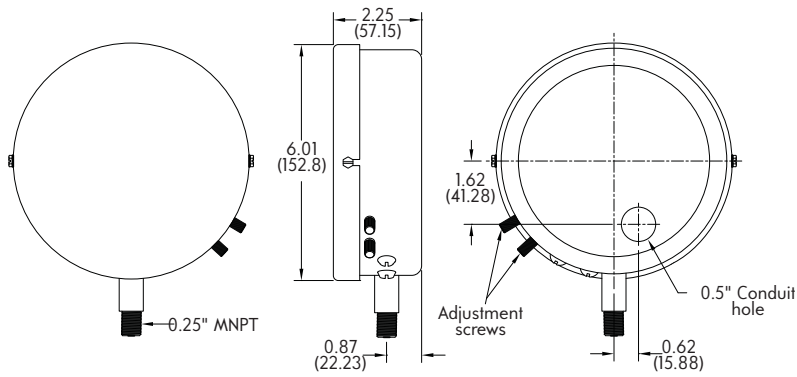
8757-6NN



8757-12NN

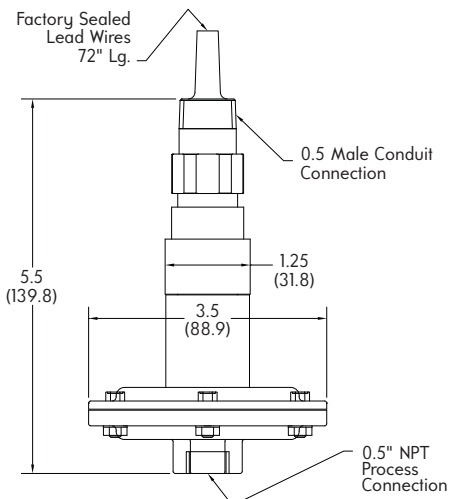
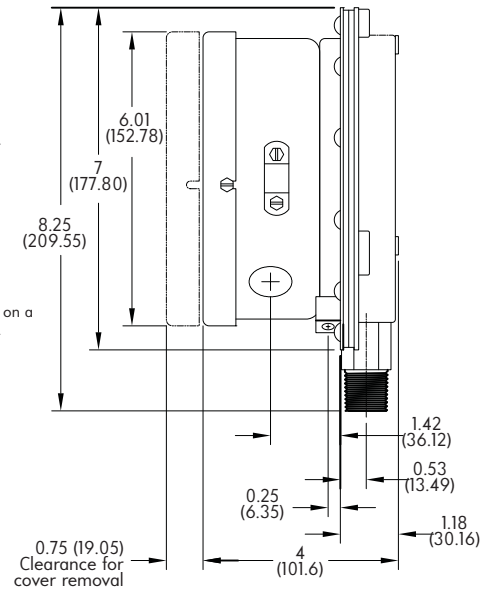
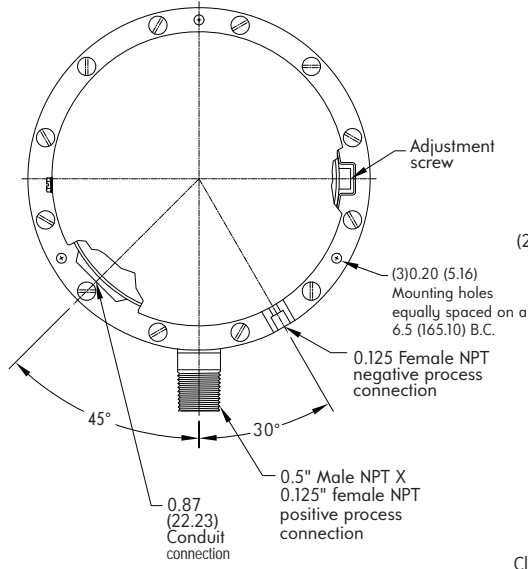


8757-L404

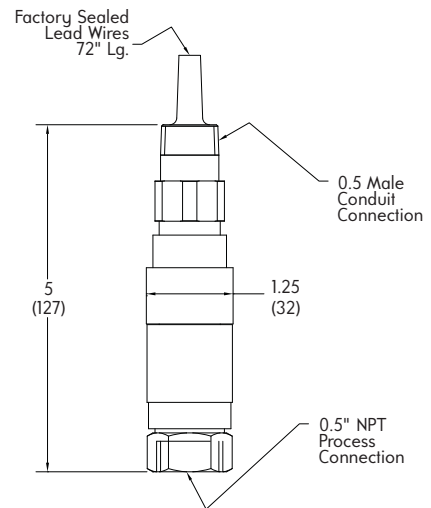


8757-DS

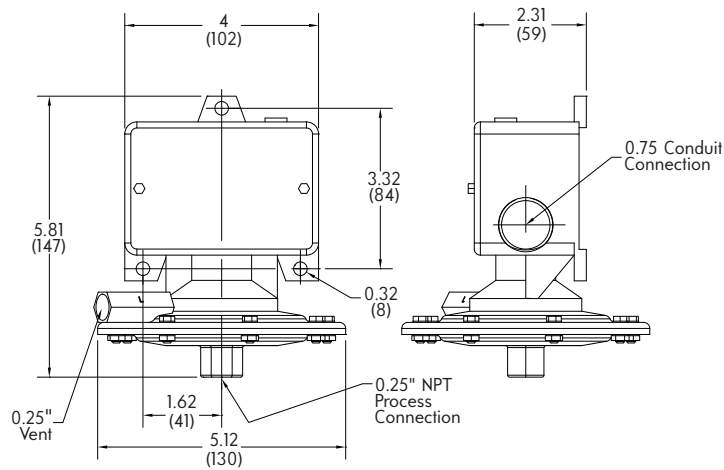
8757-PG



8757-12-20I
8757-12-50I
8757-12-65I
8757-12-5P
8757-12-200I

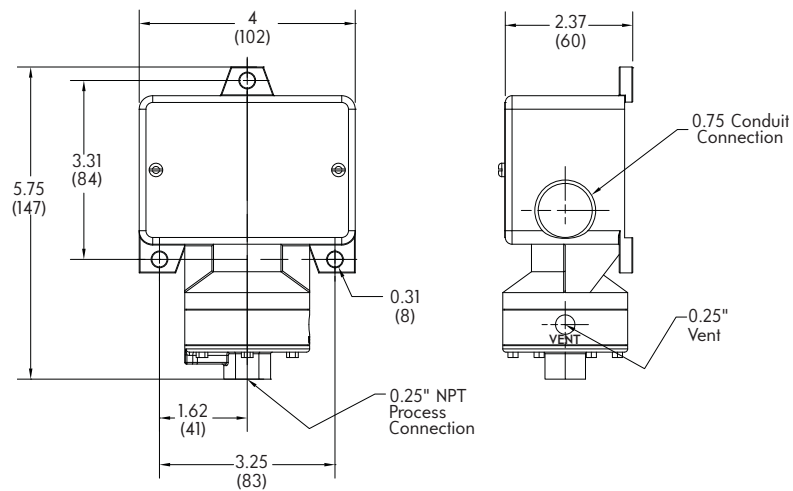


8757-12-15P
8757-12-50P
8757-12-100P



8757-D4-30I
8757-D4-60I
8757-D4-100I
8757-D4-150I

8757-B4-15P
8757-B4-30P
8757-B4-60P
8757-B4-100P
8757-B4-200P



DIMENSIONS SHOWN ARE SUBJECT TO CHANGE. PLEASE OBTAIN CERTIFIED PRINTS FROM FIVES NORTH AMERICAN COMBUSTION, INC. IF SPACE LIMITATIONS OR OTHER CONSIDERATIONS MAKE EXACT DIMENSION(S) CRITICAL.

WARNING: Situations dangerous to personnel and property may exist with the operation and maintenance of any combustion equipment. The presence of fuels, oxidants, hot and cold combustion products, hot surfaces, electrical power in control and ignition circuits, etc., are inherent with any combustion application. Parts of this product may exceed 160F in operation and present a contact hazard. Fives North American Combustion, Inc. urges compliance with National Safety Standards and Insurance Underwriters' recommendations, and care in operation.



CONTACT US:
Fives North American Combustion, Inc.
4455 East 71st Street - Cleveland, OH 44105 - USA
Tel: +1 216 271 6000 - Fax: +1 216 373 4237
Email: fna.sales@fivesgroup.com

www.fivesgroup.com