

North American Duplex Basket Strainers for Gas and Oil

Bulletin 8555D



Threaded



Flanged

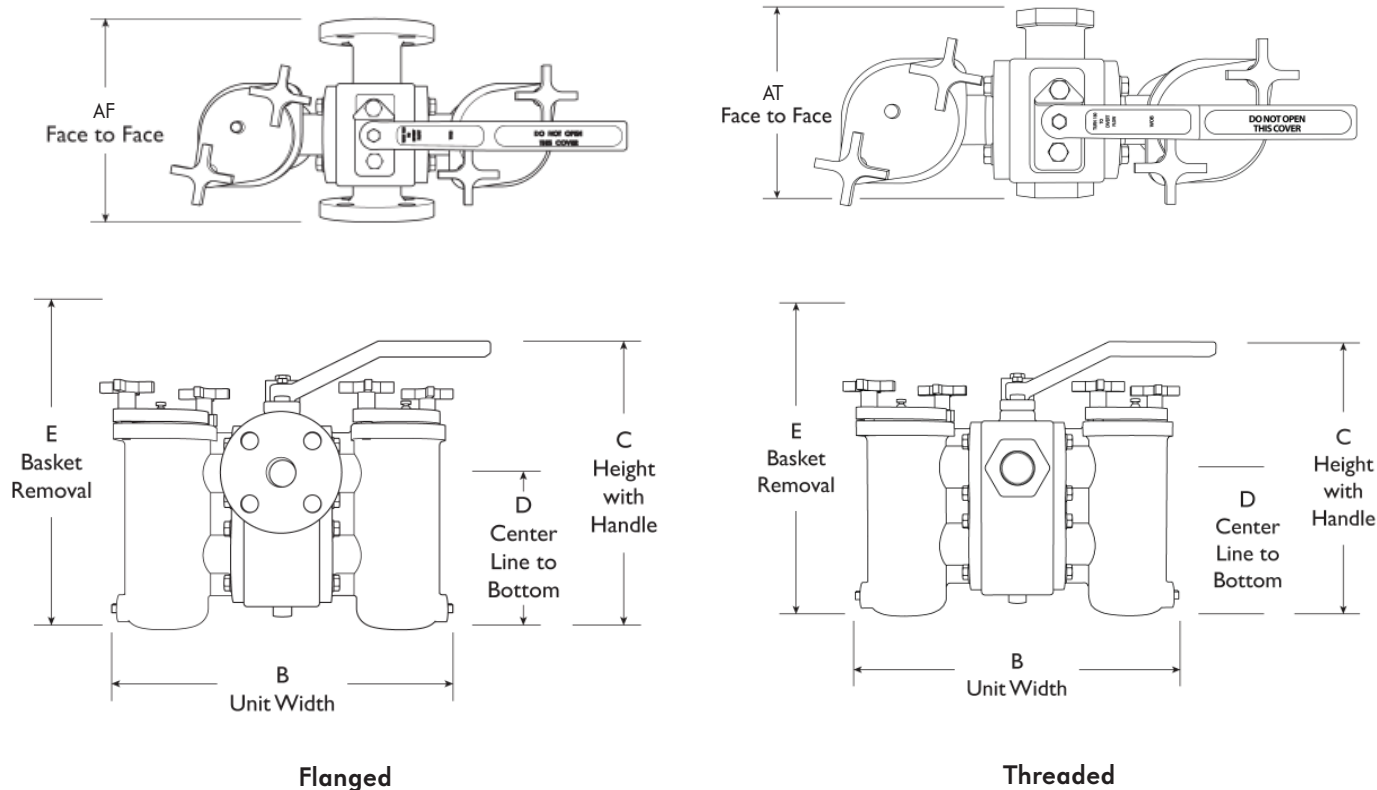
Like other basket strainers, the duplex gas and oil strainers protect expensive downstream equipment by mechanically removing solids from flowing fluids via a perforated or mesh-lined perforated basket. However, the duplex strainer is designed with two basket chambers and a flow diverter system that allows the pipeline flow to be switched from one chamber to the other, completely isolating the flow to a single chamber. Thus, the duplex strainer is ideal for non-interruptable applications that can't be shut down for routine maintenance and cleaning operations.

A common shaft engages two stainless steel balls that effectively divert the pipeline flow from one basket chamber to the other. Teflon seats ensure a positive seal and help to prevent seepage into the chamber being serviced.

A low-torque, manually-operated handle makes it easy to divert the flow stream for servicing. The handle position covers the strainer chamber in service and provides easy access for the chamber to be serviced.

FKM O-rings and PTFE seat seals permit operation for ambient or heated oil applications. These seal materials are also suitable for natural gas usage. O-rings seals are supplied in complete kits.

DIMENSIONS inches

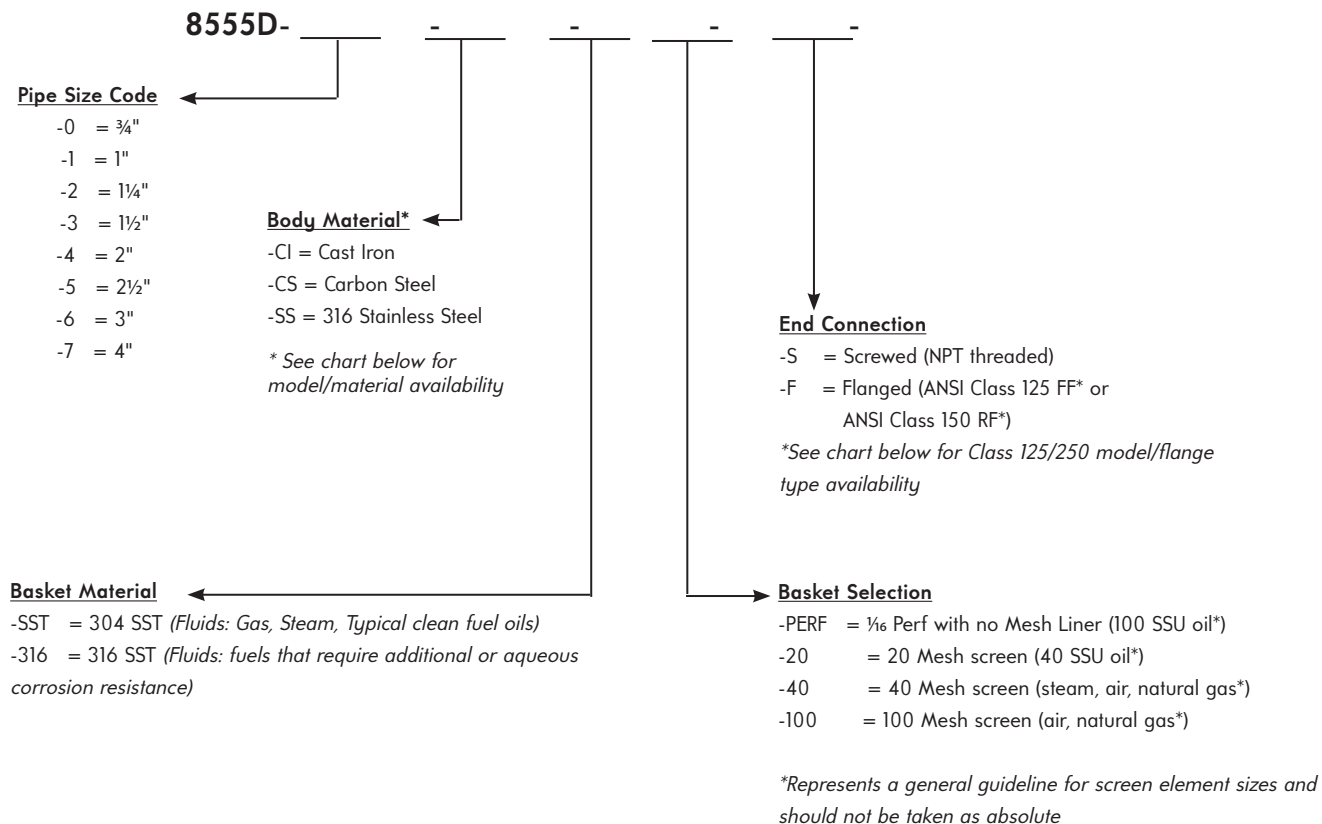


Dimensions and Performance Data

SIZE	in	¾	1	1¼	1½	2	2½	3	4
	mm	20	25	32	40	50	65	80	100
AF Dimension	in	---	7.0	9.37	9.37	10.6	13.5	13.5	16.0
Flanged Face to Face	mm	---	178	238	238	270	343	343	406
AT Dimension	in	5.59	5.59	7.5	7.5	10.0	11.5	---	---
Threaded Face to Face	mm	142	142	191	191	254	292	---	---
B Dimension	in	12.95	12.95	15.12	15.12	18.43	22.05	22.0	26.85
Unit Width (including plug)	mm	329	329	384	384	468	560	560	682
C Dimension	in	11.0	11.0	14.2	14.2	17.7	22.0	22.0	25.2
Height with Handle	mm	280	280	360	360	450	560	560	640
D Dimension	in	5.83	5.83	8.3	8.3	10.7	13.7	13.7	15.9
Center Line to Bottom	mm	148	148	211	211	271	347	347	403
E Dimension	in	15.4	15.4	21.3	21.3	26.4	35.0	35.0	41.0
Basket Removal	mm	390	390	541	541	670	885	885	1040
Assembled Wt	lb	---	46.3	73.9	73.9	121.3	237.0	238.1	373.7
Cast Iron, Flanged	kg	---	21	33.5	33.5	55	107.5	108	169.5
Assembled Wt	lb	43.7	43.0	69.9	69.5	119.0	227.0	---	---
Cast Iron, Threaded	kg	19.8	19.5	31.7	31.5	54	103	---	---
Assembled Wt.	lb	---	47.4	77.2	78.3	133.4	250.2	253.5	384.7
CS/SS Steel, Flanged	kg	---	21.5	35	35.5	60.5	113.5	115	174.5
Assembled Wt.	lb	45.2	44.8	75.0	73.9	125.7	231.5	---	---
CS/SS Steel, Threaded	kg	20.5	20.3	34	33.5	57	105	---	---
Flow Coefficient	C _v	13	14	19	24	42	68	105	180

DIMENSIONS SHOWN ARE SUBJECT TO CHANGE. PLEASE OBTAIN CERTIFIED PRINTS FROM FIVES NORTH AMERICAN COMBUSTION, INC. IF SPACE LIMITATIONS OR OTHER CONSIDERATIONS MAKE EXACT DIMENSION(S) CRITICAL.

ORDERING INFORMATION



8555D Duplex Basket Strainer Threaded Body Material Selection Guide

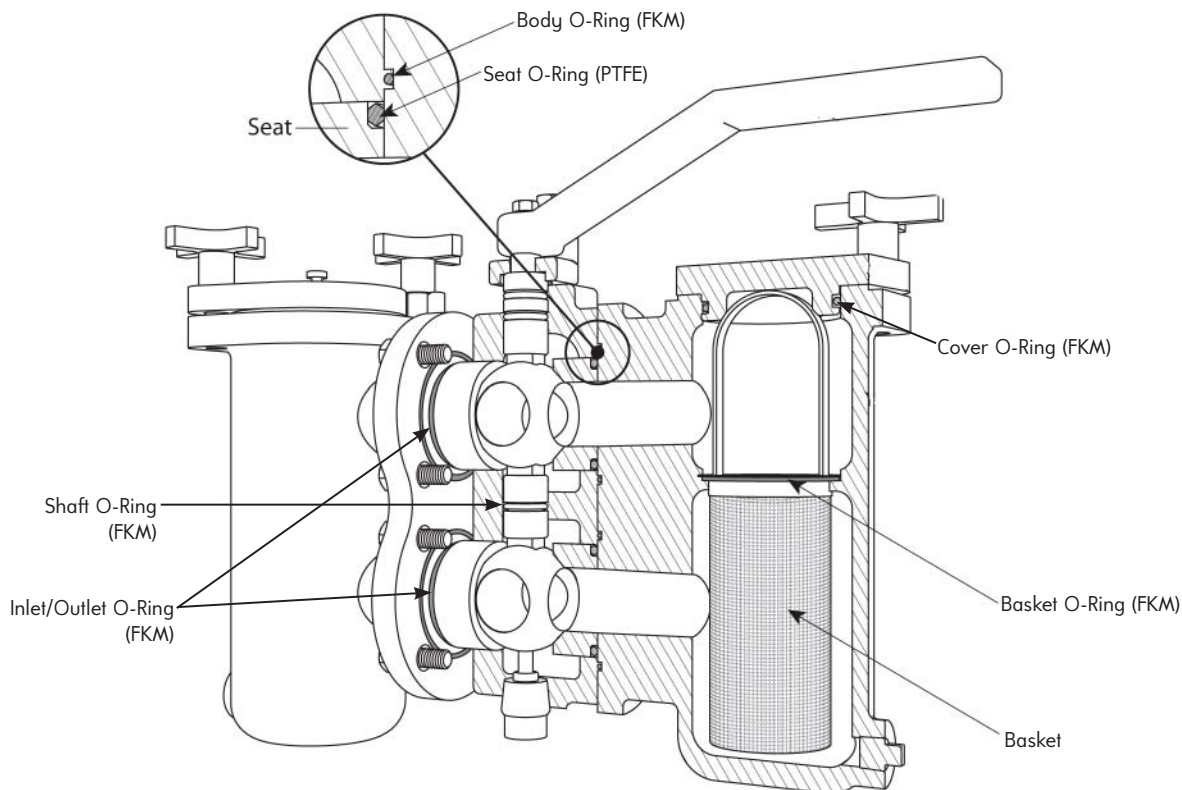
Material Selection Code	Material Options	Sizes Available with Quick Release Cover	ANSI Class	Pressure/Temperature Rating (PSIG/°F) ⁽¹⁾
CI	Cast Iron	¾" - 2½"	125	165/300F
CS	Carbon Steel	¾" - 2½"	150	225/300F
SS	Stainless Steel	¾" - 2½"	150	200/300F

8555D Duplex Basket Strainer Flanged Body Material Selection Guide

Material Selection Code	Material Options	Sizes Available with Quick Release Cover	ANSI Class	Pressure/Temperature Rating (PSIG/°F) ⁽¹⁾
CI	Cast Iron	1" - 4"	125	165/300F
CS	Carbon Steel	1" - 4"	150	225/300F
SS	Stainless Steel	1" - 4"	150	200/300F

1. Contact engineering if higher temperature ratings are required.

RECOMMENDED SPARE PARTS



Ordering Replacement Baskets Only

8555D-BASKET - - -
 Pipe Size ← Material* Mesh

8555D-BASKET - 4 - 304 - 40 Basket only for 2" Duplex Basket strainer, 304 stainless basket with 40 mesh liner

8555D-BASKET - 3 - 316 - 100 Basket only for 1½" Duplex Basket strainer, 316 stainless steel basket with 100 mesh liner

* See basket material selections on page 3

Ordering Replacement Seal Kits Only

8555D-SEALKIT - -
 Pipe Size ← Material

8555D-SEALKIT - 6 - FKM Seal Kit for 3" Duplex Basket strainer, for natural gas or oil, FKM

WARNING: Situations dangerous to personnel and property may exist with the operation and maintenance of any combustion equipment. The presence of fuels, oxidants, hot and cold combustion products, hot surfaces, electrical power in control and ignition circuits, etc., is inherent with any combustion application. Parts of this product may exceed 160F in operation and present a contact hazard. Fives North American Combustion, Inc. urges compliance with National Safety Standards and Insurance Underwriters' recommendations, and care in operation.

STRAINER CAPACITY

DUPLEX BASKET STRAINER CAPACITY FOR GASES

Size	scfh (.6 SG) nat gas at 1" w.c. dp with 1 psi up-stream, 60F, at sea level (1/16 PERF Screen)	scfh (.6 SG) nat gas at 1" w.c. dp with 1 psi up-stream, 60F, at sea level (20 Mesh Lined)	scfh (.6 SG) nat gas at 1" w.c. dp with 1 psi up-stream, 60F, at sea level (40 Mesh Lined)	scfh (.6 SG) nat gas at 1" w.c. dp with 1 psi up-stream, 60F, at sea level (100 Mesh Lined)	C _v factor
3/4	755	736	689	579	13
1	813	793	742	623	14
1 1/4	1103	1076	1007	846	19
1 1/2	1393	1360	1272	1069	24
2	2438	2379	2226	1870	42
2 1/2	3947	3852	3604	3028	68
3	6095	5948	5564	4675	105
4	10 449	10 197	9539	8014	180

DUPLEX BASKET STRAINER CAPACITY IN GPM FOR .845 SPECIFIC GRAVITY FUEL OIL AT 1 PSI DP, 60F

Size	GPM with PERF Screen (Unlined)	GPM with 20 Mesh Lined Screen	GPM with 40 Mesh Lined Screen	GPM with 100 Mesh Lined Screen	C _v factor
3/4	13.5	13.2	12	10.5	13
1	14.5	14.2	12.9	11.4	14
1 1/4	19.7	19.3	17.5	15.4	19
1 1/2	24.9	24.3	22.1	19.5	24
2	43.6	43.5	38.6	34.1	42
2 1/2	70.5	69	62.5	55.1	68
3	108.9	106.5	96.6	85.1	105
4	186.7	182.6	165.5	146	180

DUPLEX BASKET STRAINER CAPACITY IN GPM FOR .959 SPECIFIC GRAVITY FUEL OIL AT 1 PSI DP, 60F

Size	GPM with PERF Screen (Unlined)	GPM with 20 Mesh Lined Screen	GPM with 40 Mesh Lined Screen	GPM with 100 Mesh Lined Screen	C _v factor
3/4	12.1	11.9	10.8	9.2	13
1	13.1	12.8	11.7	9.9	14
1 1/4	17.7	17.4	15.8	13.4	19
1 1/2	22.4	21.9	20	16.9	24
2	39.2	38.4	35	29.6	42
2 1/2	63.4	62.1	56.7	47.9	68
3	97.9	95.9	87.5	74	105
4	167.8	164.4	150.1	126.8	180

CONTACT US: