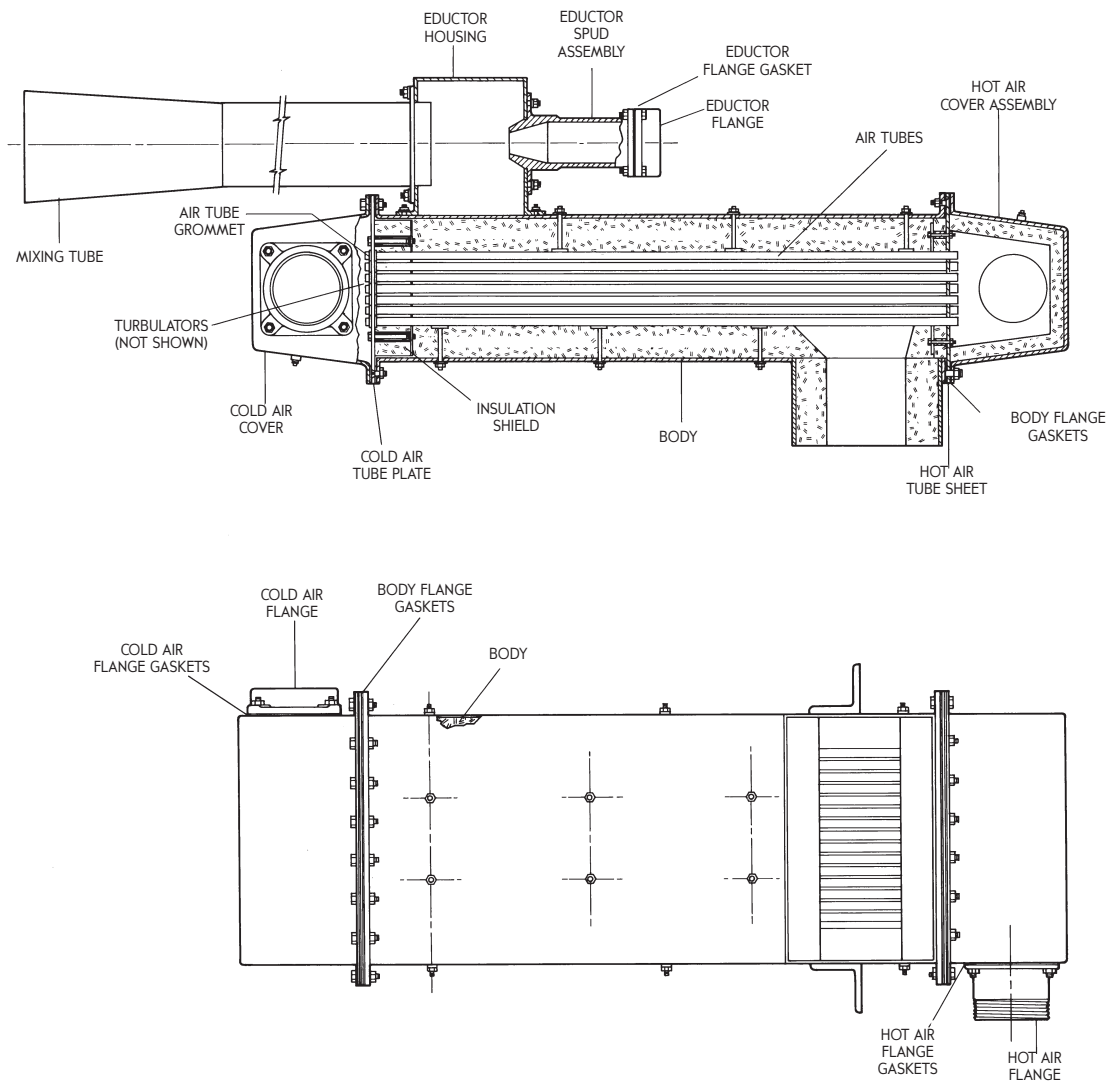


Standard North American 8485 Recuperators Parts List

Sheet 8485-10



WARNING: Situations dangerous to personnel and property may exist with the operation and maintenance of any combustion equipment. The presence of fuels, oxidants, hot and cold combustion products, hot surfaces, electrical power in control and ignition circuits, etc., is inherent with any combustion application. Parts of this product may exceed 160F in operation and present a contact hazard. Fives North American Combustion, Inc. urges compliance with National Safety Standards and Insurance Underwriters' recommendations, and care in operation.

Part Name	7.0	12	20	32
Air Tube Grommet	28-0001-1	28-0001-1	28-0001-1	28-0001-1
Body- "X"	28-0051-1	28-0010-1	28-0030-1	28-0059-1
"Y"	28-0051-2	28-0010-2	28-0030-2	28-0059-2
Cold Air Tube Plate	28-0047-1	28-0007-1	28-0029-1	28-0058-1
Hot Air Cover Assembly	28-0042-1	28-0012-1	28-0024-1	28-0238-1
Cold Air Cover	28-0044-1	28-0013-1	28-0026-2	28-0060-2
Eductor Housing	28-0050-1	28-0017-1	28-0033-1	28-0033-1
Eductor Spud Assembly- "R"	28-0049-1	28-0018-1	28-0034-1	28-0065-1
"S"	28-0049-2	28-0018-2	28-0034-2	28-0065-2
"T"	28-0049-3	28-0018-3	28-0034-3	28-0065-3
Mixing Tube (Eductor)	28-0053-1	28-0019-1	28-0035-1	28-0066-1
Eductor Flange	8765-4-B	8765-5-C	8765-6-D	8765-6-D
Cold Air Flange	28-0463-1	28-0381-1	8765-8-E	8765-8-E
Hot Air Flange	28-0020-3	28-0020-5	28-0036-1	28-0036-1
Body Flange Gasket (4 req'd)	28-0041-1	28-0016-1	28-0032-2	28-0064-1
Eductor Flange Gasket	4-5371-1	4-5371-2	4-5371-3	4-5371-3
Insulation Shield	28-0048-1	28-0006-1	28-0028-1	28-0057-1
Hot Air Tube Sheet	28-0046-1	28-0005-1	28-0027-1	28-0056-1
Turbulators- "X"	28-0022-1	28-0022-1	28-0022-1	28-0022-1
"Y"	28-0022-2	28-0022-2	28-0022-2	28-0022-2
Hot Air Flange Gasket	28-0021-4	4-5371-3	28-0037-2	28-0037-2
Cold Air Flange Gasket	28-0021-4	4-5371-3	4-5371-4	4-5371-4
Air Tubes- "X" - "L"	28-0004-1	28-0004-1	28-0004-1	28-0004-1
"Y" - "L"	28-0004-2	28-0004-2	28-0004-2	28-0004-2
"X" - "H"	28-0004-3	28-0004-3	28-0004-3	28-0004-3
"Y" - "H"	28-0004-4	28-0004-4	28-0004-4	28-0004-4
"X" - "F"	28-0004-5	28-0004-5	28-0004-5	28-0004-5
"Y" - "F"	28-0004-6	28-0004-6	28-0004-6	28-0004-6
"X" - "M"	28-0004-7	28-0004-7	28-0004-7	28-0004-7
"X" - "G"	28-0004-9	28-0004-9	28-0004-9	28-0004-9
Blind Flange	-	-	4-8719-1	-
Blind Flange Gasket "U"	-	-	4-8720-1	-

NOTE: The significance of the letters is explained on Sheet 8485-12.