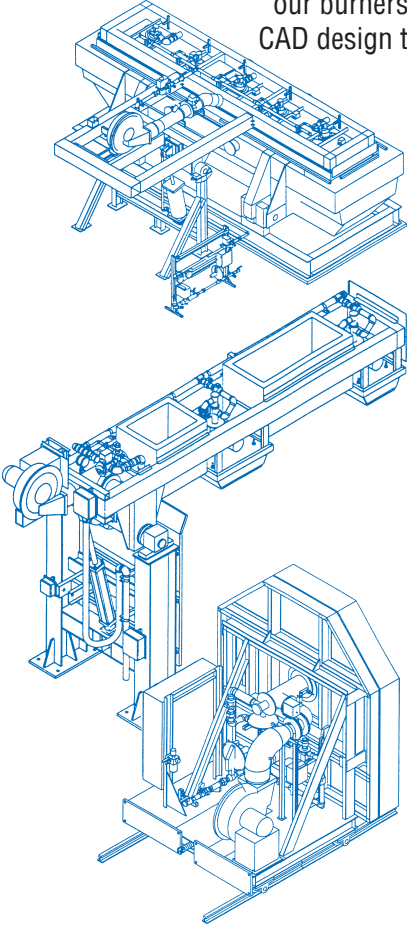


North American is Your Best Choice for Complete Ladle and Tundish Heaters!

For more than two decades, we've put our extensive experience and the quality of our burners and control systems into packaged ladle and tundish heaters. From CAD design to complete assemblies for new or retrofit systems, let us take care of all your combustion requirements.

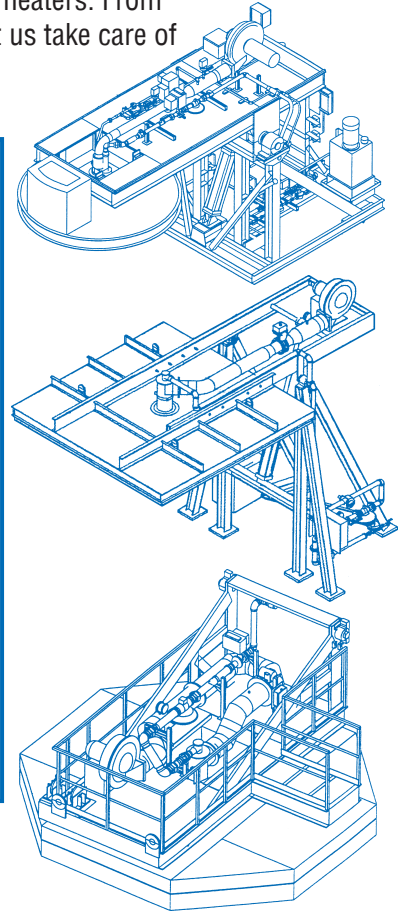


Features:

- *Ultra Low NOx*
- Standard or Custom Designed
- Modular Construction
- Any Combination of Air/Gas/O₂
- Automatic and Easy-to-Use
- Quick-Change Insulated Walls

Benefits:

- Consistent Preheating (High Velocity)
- Uniform Drying (High Circulation)
- Fuel Efficient on both Air and O₂
- Attractive Price and Delivery
- Quick Installation and Start-Up



System Solutions for All Your Heating and Drying Needs

Call us to learn more about the best choices for your ladle or tundish operation.



North American
Manufacturing Company

4455 East 71st Street, Cleveland, OH 44105-5600 USA Tel: 216-271-6000 Fax: 216-641-7852
email: sales@namfg.com • www.namfg.com

North American Mfg. (Canada) Inc.

540 Piercey Rd., Bolton, Ont. L7E 5B4, Canada Tel: 905-857-3337 Fax: 905-857-0304