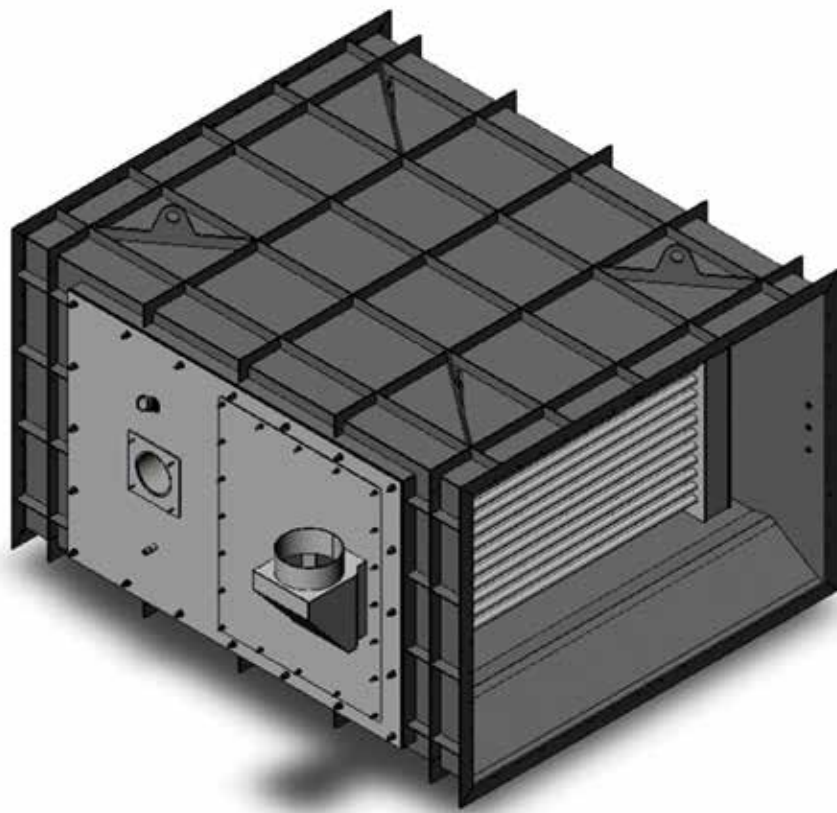


# ITAS Hot Air Generator HF



Process air flow isolated from the burner flue gases

- High Efficiency
- Low pressure drops
- Rugged construction
- Compact design
- Plug-in unit

# Fives designs and supplies your indirect fired process

ITAS indirect fired counter flow air heater for recirculation systems for ovens and dryers for processes where the process air flow is isolated from the burner flue gases. Easy to install, pre-tested. Equipped with a compact burner with integrated gas train and controls.

## MAXIMIZED HEAT TRANSFER



The tube bank of the indirect fired - ITAS Horizontal flow hot air generator offers a large surface for improved heat-transfer and maximum efficiency.

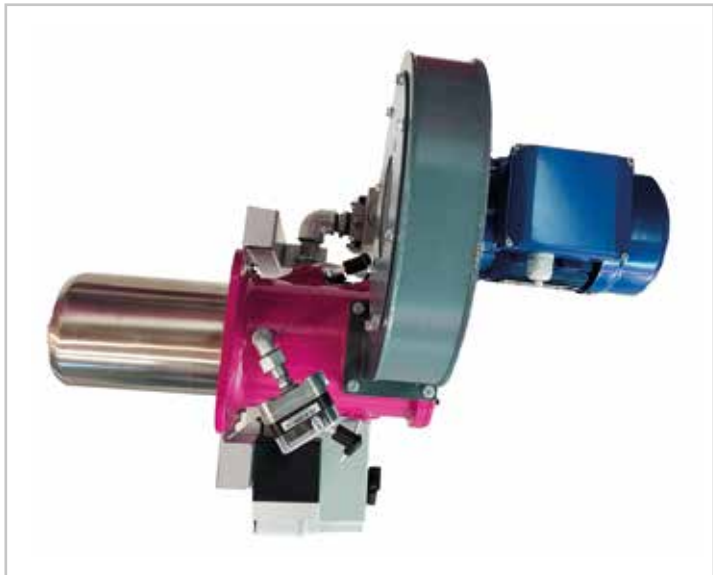
## TECHNICAL PARAMETERS

- Thermal output: 100 to 800 kW (for any output higher request, please contact us)
- Thermal efficiency: up to 82%
- Process air: up to 200 °C
- Temperature lift: up to 90 °C
- Fuels: Natural gas, LPG

## TYPICAL APPLICATIONS AND INDUSTRIES

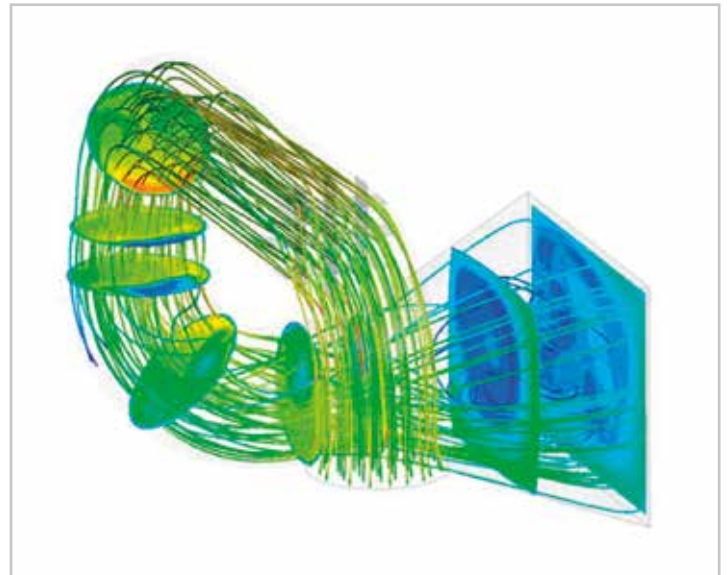
- Automotive: Paint booths
- Food: Drying ingredients and baking
- Metals: Product coating, drying and curing
- Ceramics: White ware drying
- Pharmaceutical: Air heating

## ITAS DRYFLAME NG BURNER



Dryflame packaged burners are typically used in indirect hot gas generator applications. Air/gas controlled to increase combustion and system efficiency.

## ENGINEERING - FLOW DYNAMICS



Fives offers technical support to customers to improve their processes and product quality. Uniformity in temperature and flow decrease energy consumption and improve product quality.

*The information provided on this brochure is for information purposes only and does not constitute a legal obligation or a warranty, express or implied, concerning quality, marketability or suitability for a specific purpose.*