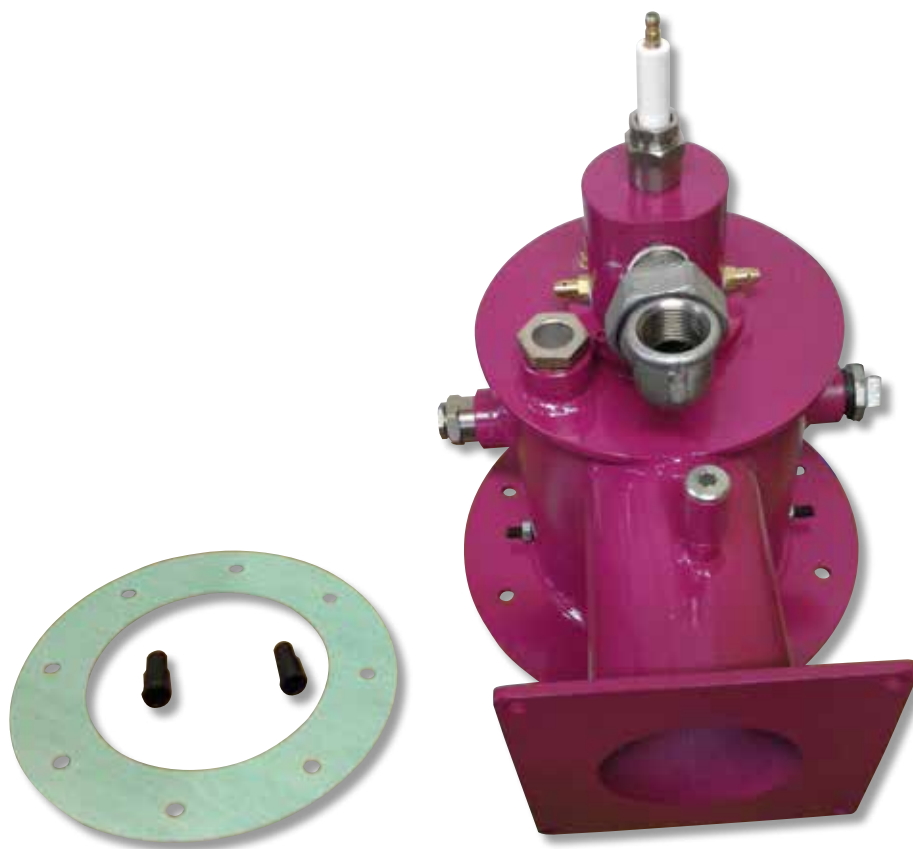


# ITAS Dryflame

Package burner for low temperature applications



Plug and play solutions to reduce commissioning time

---

#### Features

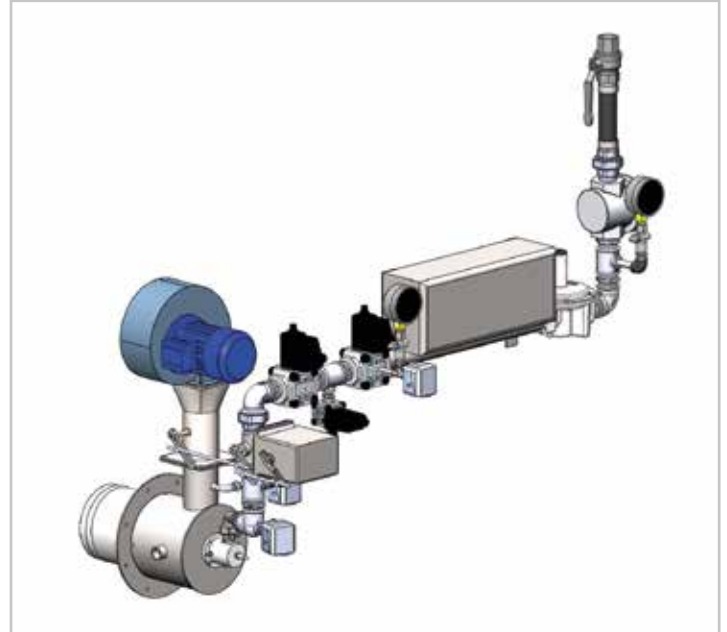
- Applications: dryers
- From 300kW to 800kW
- Can operate with natural gas, LPG and biogas

# ITAS Dryflame package burner is the solution for low temperature applications

With ITAS Dryflame package burner, air and fuel gas mixing is controlled in order to optimize both emission and efficiency; moreover, mixing takes place on nozzle outlets, thus avoiding any back firing.

## TYPES OF APPLICATIONS

- General dryers
- Dryers for ceramics
- Dryers for painting booths
- Dryers for textile machines

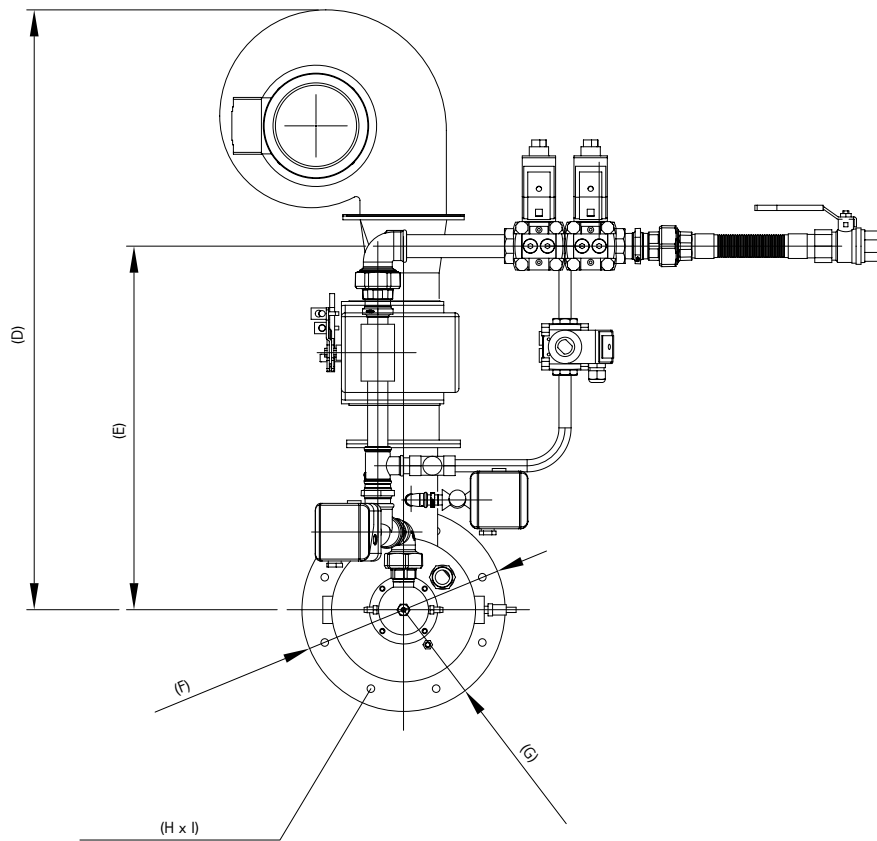
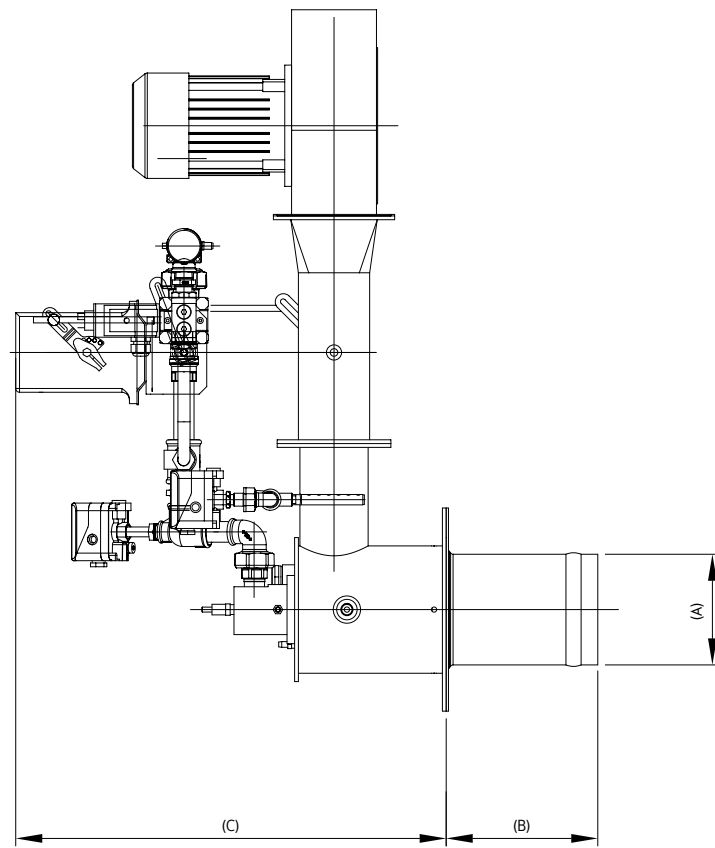


## OPERATING CONDITIONS

Combustion air	
Max. inlet temp.	100 °C
Min. O <sub>2</sub>	20 %
Air excess	15-30 %
Process air flow	
Max. inlet temp.	400 °C
Min. O <sub>2</sub>	0%
Max. outlet temp.	800 °C

Fuel
Natural gas
LPG
Biogas
Other gas types upon request
Emission
CO < 50 ppm @3%O <sub>2</sub>
NO <sub>x</sub> < 100 ppm @3%O <sub>2</sub>

Model	Performance with natural gas and stoichiometric ratio					
	Max. power capacity (kW)	Combustion air ( $\lambda=1,15$ ) (Nm <sup>3</sup> /h)	Natural gas delivery (Nm <sup>3</sup> /h)	DP. air pressure (mbar)	DP. nat. gas pressure (mbar)	Flame length (mm)
IT 100	300	350	30	5,5	5	1,000
IT 200	450	520	45	3	3	1,300
IT 300	800	920	80	3	3	1,600



Model	Overall dimensions (mm)								
	A	B	C	D	E	F	G	H	I
IT100	150	200	600	800	800	268	225	8	10
IT200	215	200	650	850	850	330	290	8	11
IT300	255	215	1,300	1,000	1,000	371	321	8	11



**CONTACT US**

Fives ITAS S.p.A.

Via Metauro 5 - 20900 MONZA MB - Italy

Tel.: +39 039 27331

Email: [Itas.heatingsystems@fivesgroup.com](mailto:Itas.heatingsystems@fivesgroup.com) - Website: [www.fivesgroup.com](http://www.fivesgroup.com)