

Nonwoven winders and slitters



Equipment for technical textile and nonwoven process lines

- Ultimate quality process and reliability
- High productivity for your high-end products
- Friendly operator system

Fives implements its technical expertise in a new process

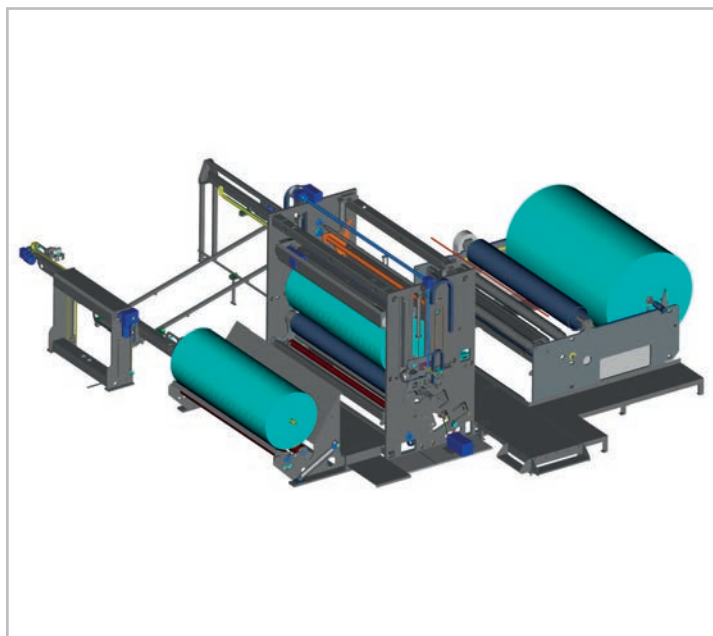
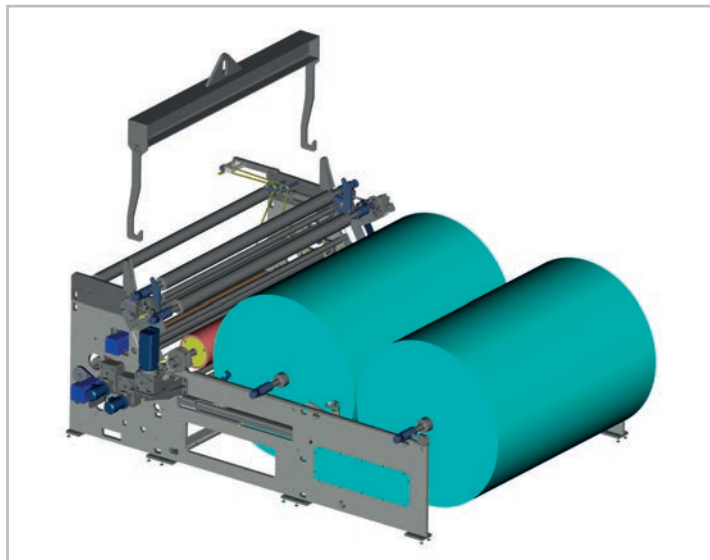
Over the last two years, Fives and its partner, a major textile equipment leader, installed more than 15 machines in the textile sector. Fives has designed the state-of-the-art technology, DMS Elowave® Nonwoven Carding Machine, for the woven and nonwoven market. Following by customers' concerns on bulkiness, thickness, mechanical properties of fabrics and high quality of the final reels, Fives has also redesigned winders and slitters for technical textile and nonwoven process lines.

BASIS EQUIPMENT

- First winding device composed of two pivoting arms
- Second winding device composed of two axial carriages
- Pneumatic expanding airshafts for cores of 3" id
- Winding shaft acceleration device
- Primary winding drum
- Winding shaft storage station

OPTIONAL EXTRAS

- Secondary winding drum
- Integrated pulling unit
- Roll handling equipment and shaft extractor
- Additional airshafts for cores id. of 150 mm or 6"
- Slitting device
- Analogical modem



BASIS EQUIPMENT

- 15 TNT (tension nip and torque) parameters
- Drum surface unwinder
- Dancer tension control
- Winding shaft acceleration device
- Rider roll soft touch
- Automatic doffing at zero speed
- Shaft handling device

OPTIONAL EXTRAS

- Center drive
- Camera system to optimize edge trimming
- Web splicing device
- Digital metal detection
- Web cleaning system
- Winder link
- Core positioning by a laser device

The information provided in this brochure is for information purposes only and does not constitute a legal obligation or a warranty, expressed or implied, concerning quality, marketability or suitability for a specific purpose.

CONTACT US